

Datasheet

# MicroSD Card 3TE4 series

- SD 3.0 interface
- Support Class 10 with UHS-I
- Adopt 3D TLC NAND flash
- High performance
- Targeted for portable and stationary applications
- SMART function supported



## Introduction

Innodisk MicroSD 3TE4 series, supporting class 10 with UHS-I, are specifically designed for industrial PC and embedded applications. The 3.0 series SD card has latest firmware architecture and Flash algorithms, including superior wear leveling, and read disturb management ensuring highest reliability and endurance.

Innodisk MicroSD 3TE4 series provide wide range capacities from 32GB to 512GB with excellent quality TLC NAND Flash, and fully compliant to SD3.0, and SD2.0 specifications.

With its low power consumption and features above, Innodisk MicroSD 3TE4 series can be applied on industrial automation, SBC (single-board computer), medical equipment, infotainment, and mobile application.

# MicroSD Card

## 3TE4 series

Contact us for more information about the MicroSD 3TE4 series.

Innodisk is a service-driven provider of industrial embedded flash storage products and technologies, with a focus on the cloud computing, industrial/embedded, and aerospace and defense industries.

### Headquarters (Taiwan)

5F., No. 237, Sec. 1, Datong Rd., Xizhi Dist., New Taipei City 221, Taiwan

Tel: +886-2-77033000

Email: sales@innodisk.com

### Branch Offices:

USA

[usasales@innodisk.com](mailto:usasales@innodisk.com)

+1-510-770-9421

Europe

[eusales@innodisk.com](mailto:eusales@innodisk.com)

+31-40-3045-400

Japan

[jpsales@innodisk.com](mailto:jpsales@innodisk.com)

+81-3-6667-0161

China

[sales\\_cn@innodisk.com](mailto:sales_cn@innodisk.com)

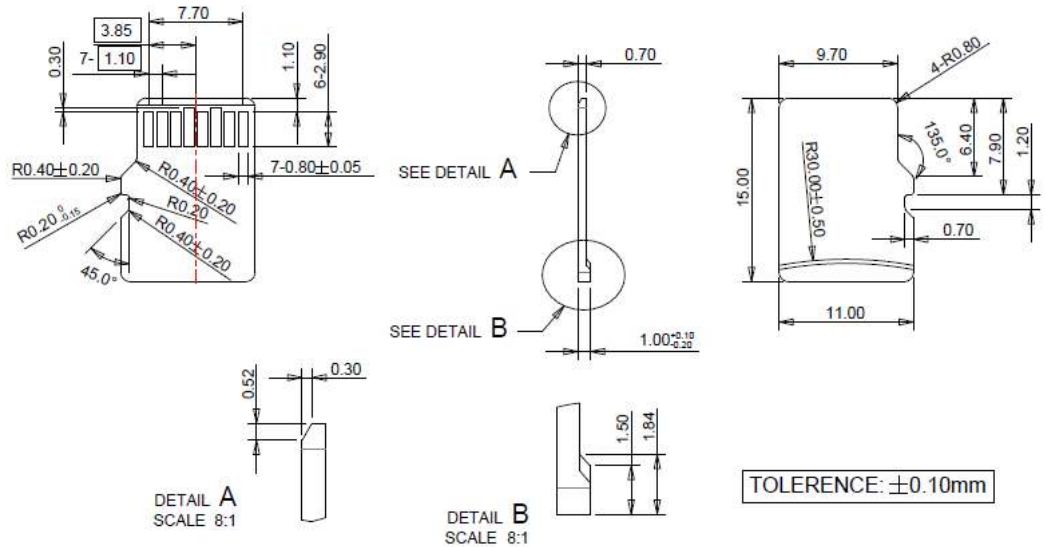
+86-755-21673689

[www.innodisk.com](http://www.innodisk.com)

© 2021 Innodisk Corporation.

All right reserved. Specifications are subject to change without prior notice.

### Diagram



### Specifications

Interface	SD 3.0
Flash Type	3D TLC
Capacity	32GB~512GB
Max. Channels	1
Sequential R/W (MB/sec, max.)	90/80
Max. Power Consumption	0.7W
Thermal Sensor	-
Extended DRAM buffer	-
H/W Write Protect	-
ATA Security	-
S.M.A.R.T.	Y
Dimension (WxLxH)	11.0 X 15.0 X 1.0 mm
Environment	Vibration: 20G @7~2000Hz Shock: 1500G @ 0.5ms Storage Temperature: -40°C ~ +85°C MTBF: 3 million hours

### Ordering Information

Operation Temp.	32GB	64GB	128GB	256GB	512GB
Standard Grade (-25°C ~ +85°C)	DESDM-32GS06EE1SL	DESDM-64GS06%E1SL	DESDM-A28S06%E1SL	DESDM-B56S06%E1SL	DESDM-C12S06GE1SL
Industrial Grade (-40°C ~ +85°C)	DESDM-32GS06EW1SL	DESDM-64GS06%W1SL	DESDM-A28S06%W1SL	DESDM-B56S06%W1SL	DESDM-C12S06GW1SL

% G: 64 layers 3D TLC; K: 112 layers 3D TLC

**innodisk**

[www.innodisk.com](http://www.innodisk.com)