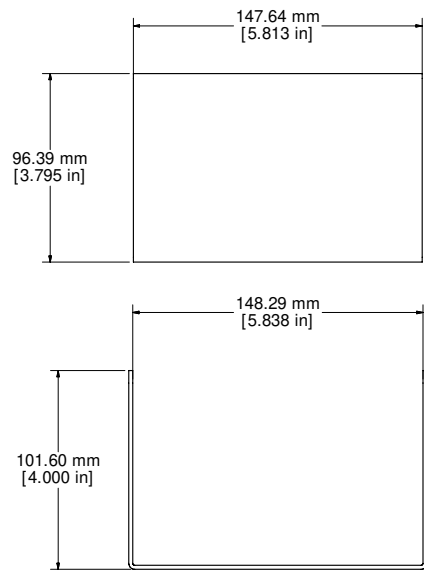
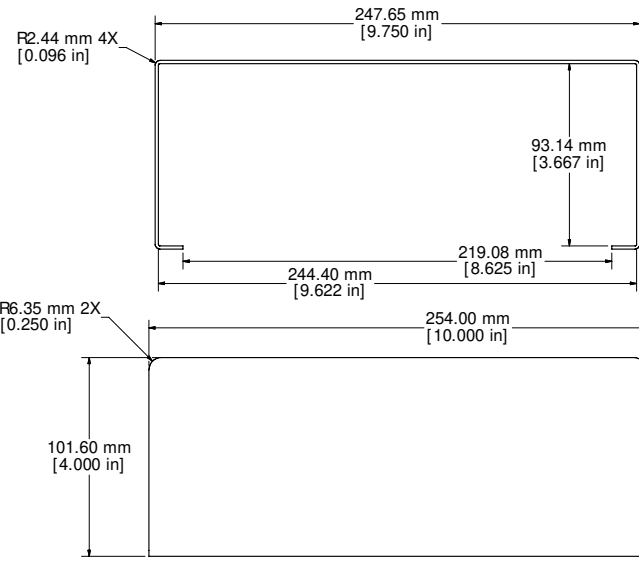


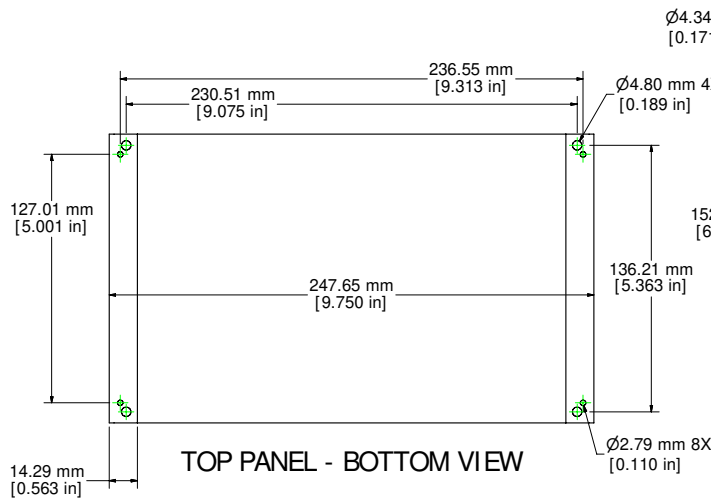
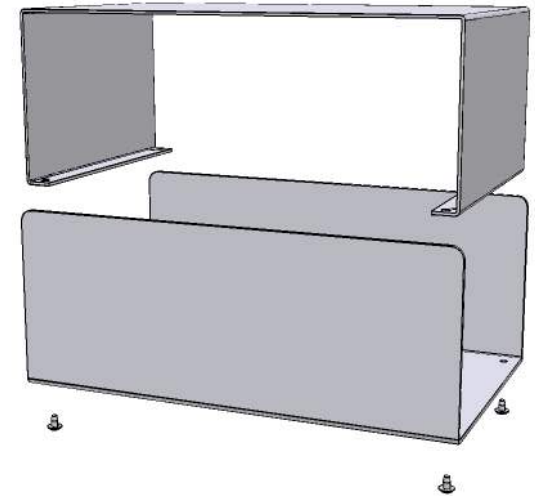
8 7 6 5 4 3 2 1



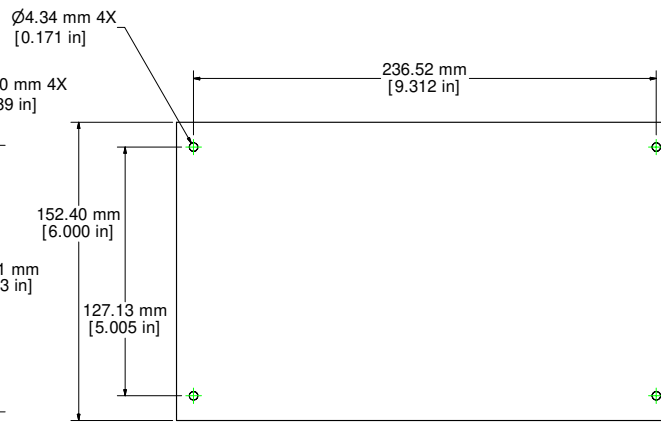
ASSEMBLY - REAR VIEW (OPEN)



ASSEMBLY - SIDE VIEW (OPEN)



TOP PANEL - BOTTOM VIEW



ENCLOSURE CASE - BOTTOM VIEW

Enclosures can be Factory Modified (Milling, Drilling, Printing etc.)
 Contact Factory mjm@hammondmfg.com for quotes
 Solid models of this enclosure available in STEP or IGES.

1456NEK4
Beige Top, Blue Case - 1456NEK4WHBU
Black Top, Blue Case - 1456NEK4BKBU
Enclosure Case - 12 ga. Aluminum
Top Panel Sizes to 14" Wide - 14 ga. Aluminum
Self Adhesive Rubber Feet Included
Required Hardware Included
Replacement Screws - 1421-J6 (6 pcs.)



**HAMMOND
 MANUFACTURING™**

1456NEK4

www.hammondmfg.com

8 7 6 5 4 3 2 1