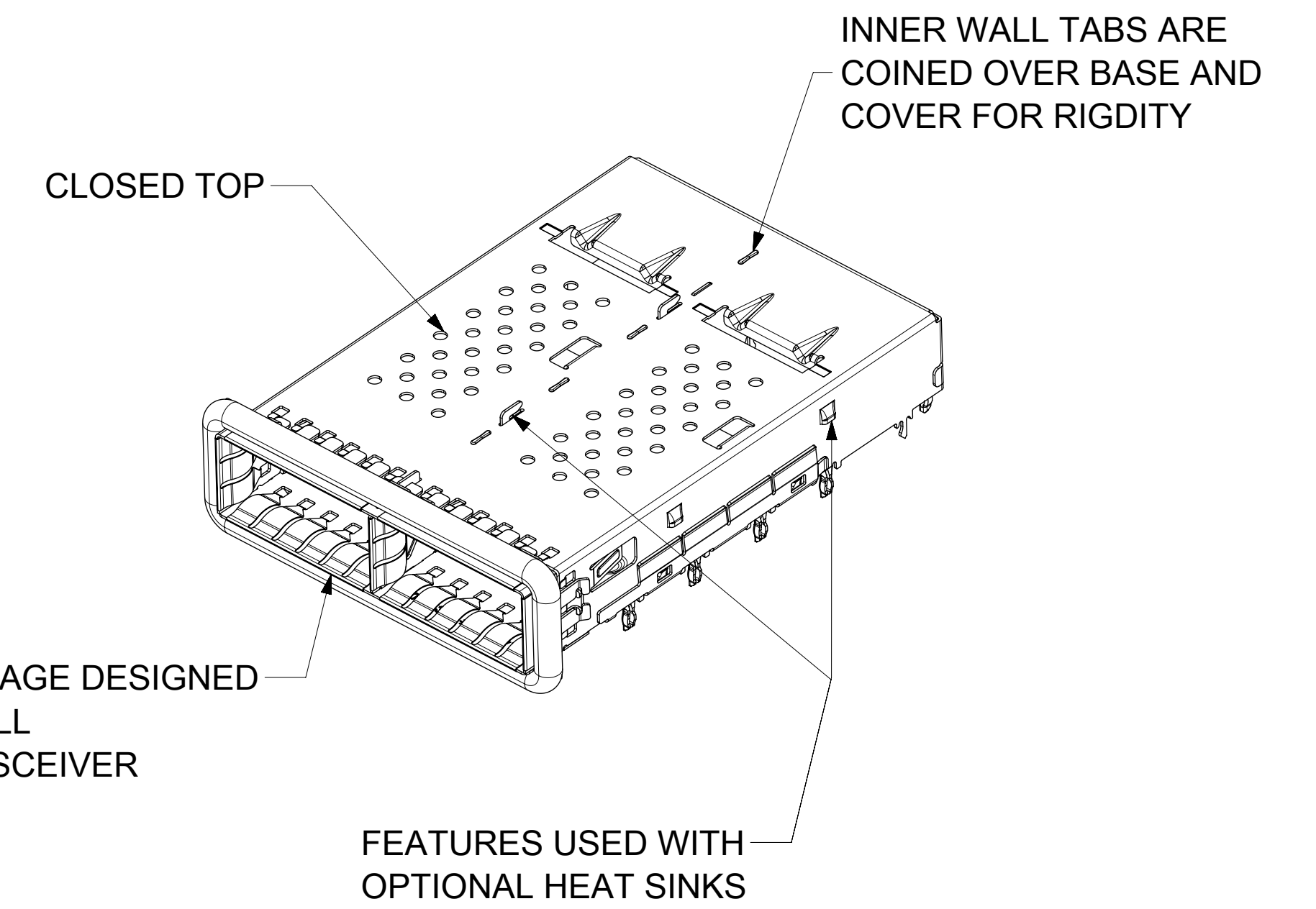
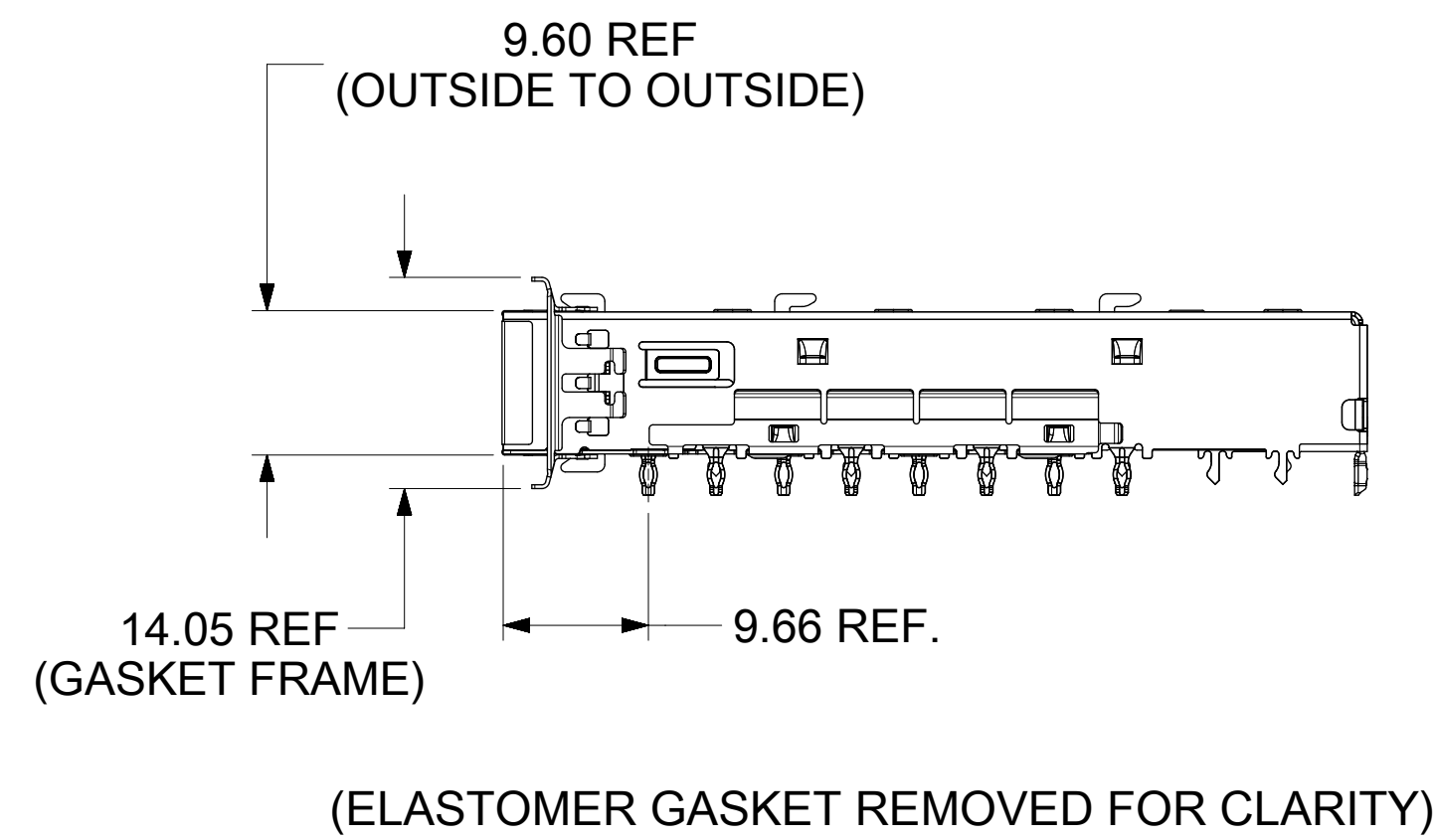
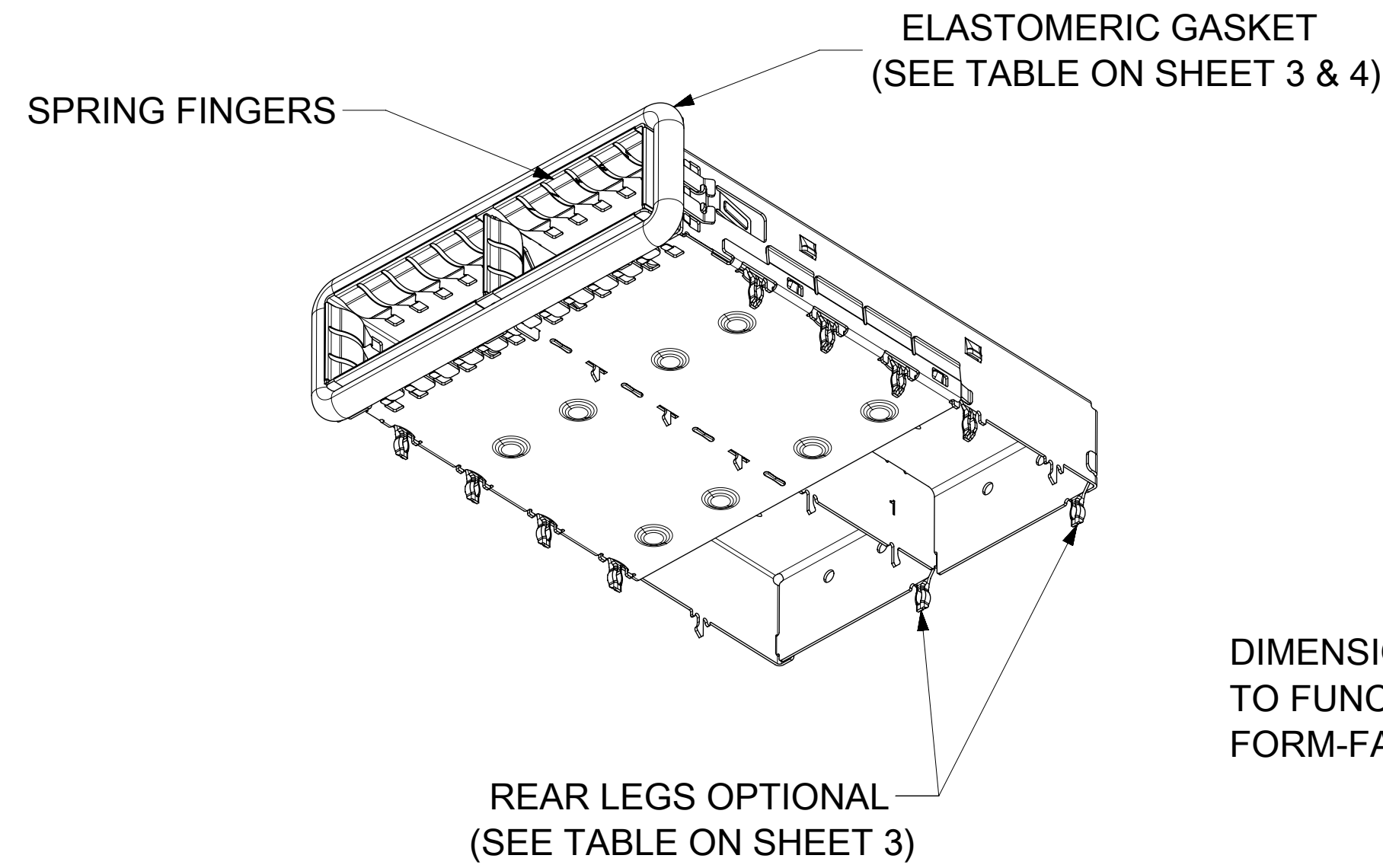
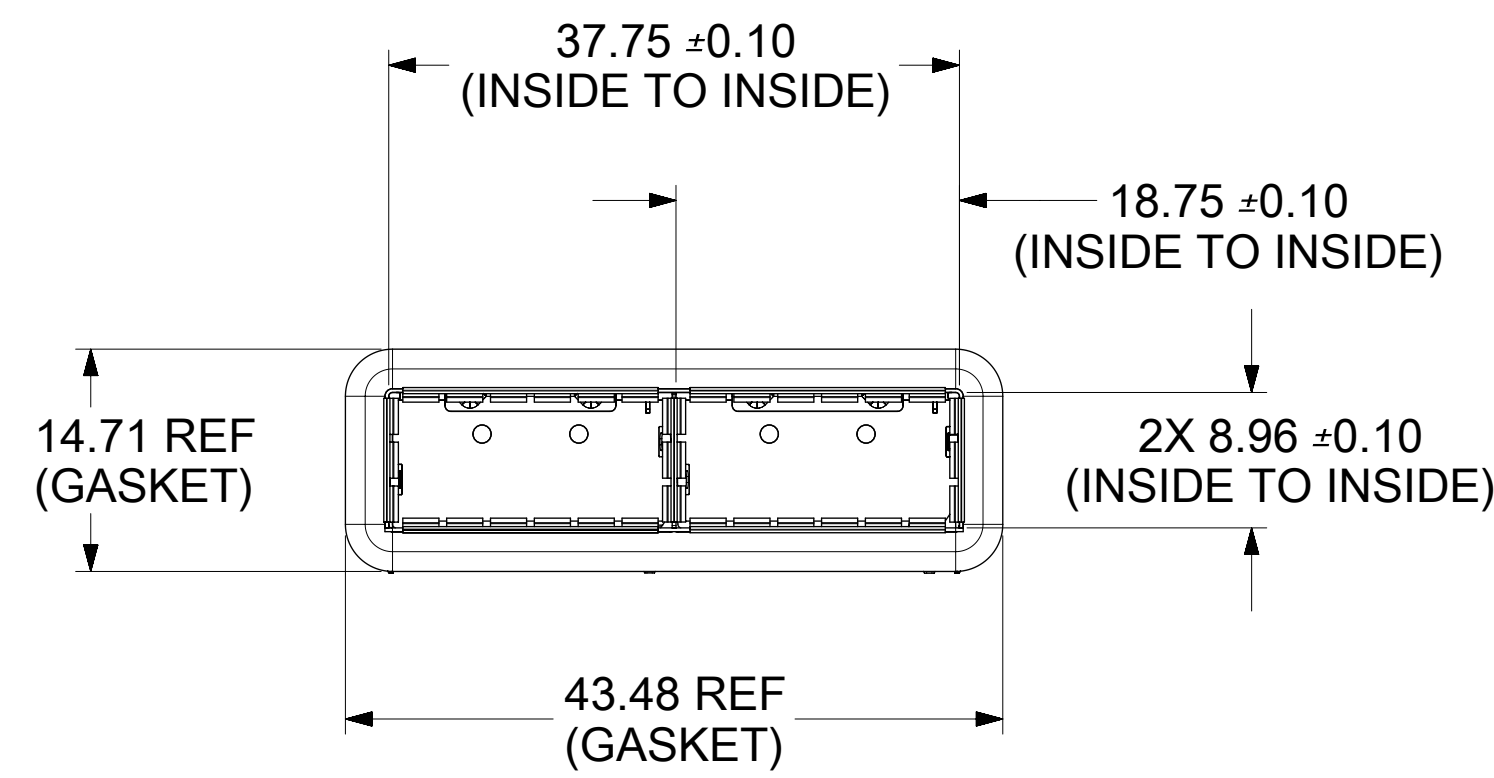
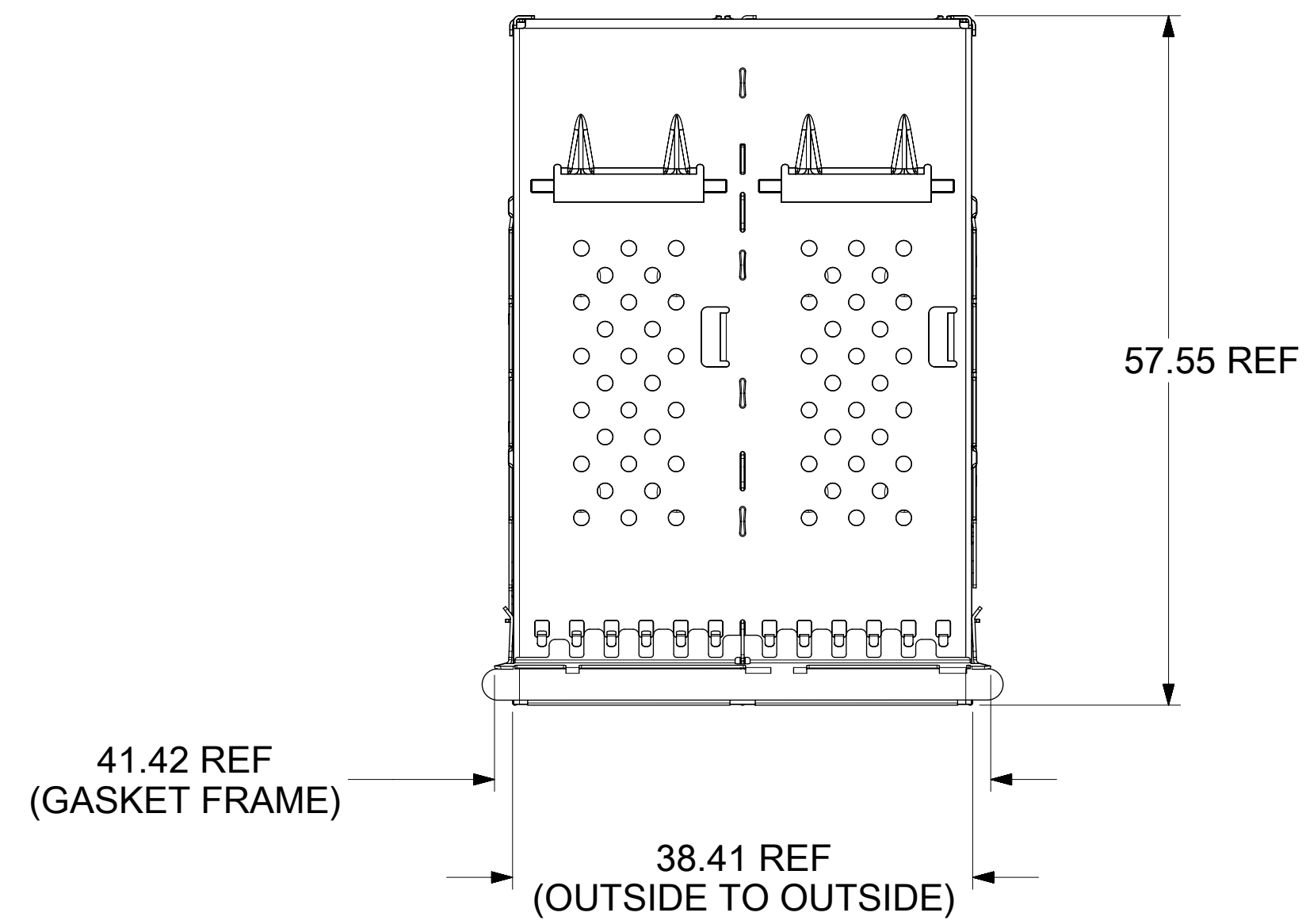


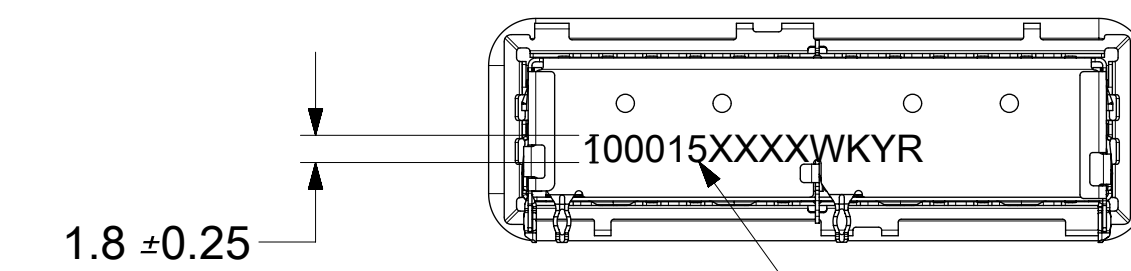
BASE CAGE DETAILS

1000152242

SHOWN



DIMENSIONS OF EACH INNER CAGE DESIGNED TO FUNCTION WITH QUAD SMALL FORM-FACTOR (zQSFP+) TRANSCEIVER



NOTES:

- MATERIAL: CAGE: STAINLESS STEEL
CENTER WALLS: STAINLESS STEEL
SPRING FINGERS: BERYLLIUM COPPER; NICKEL PLATED
GASKET FLANGE: STAINLESS STEEL
HEAT SINKS: NICKEL PLATED ALUMINUM
HEAT SINK CLIP: STAINLESS STEEL
LIGHT PIPES: POLYCARBONATE (UL 94-V-0)
GASKET: ELASTOMER (UL 94-V-0)
- DIMENSIONS MARKED ∇ ARE CRITICAL TO FUNCTION OF THE PART AND MUST BE INSPECTED
- DRAWING APPLIES TO ALL P/N'S SHOWN ON PAGE 3
- DURING INCOMING INSPECTION, CAGE LEG LOCATIONS AND STRAIGHTNESS MUST BE CHECKED USING APPROPRIATE GO - NO GO GAGE
- DURING INCOMING INSPECTION, CAGE MUST BE INSPECTED TO MAKE SURE LEG CONFIGURATIONS AND PART NUMBERS ARE CORRECT, USE SHEETS 3, 4, 5 AND 6
- PARTS TO BE INSPECTED PER MOLEX COSMETIC SPEC WI-HP-7-2774 (CLASS B UNLESS OTHERWISE SPECIFIED)
- PRESS-FIT LEGS 2.44 [0.096] LONG -
1.57 MINIMUM PCB THICKNESS FOR SINGLE SIDED USE.
2.70 MINIMUM PCB THICKNESS FOR BELLY TO BELLY USE.
- NO RoHS EXEMPTIONS

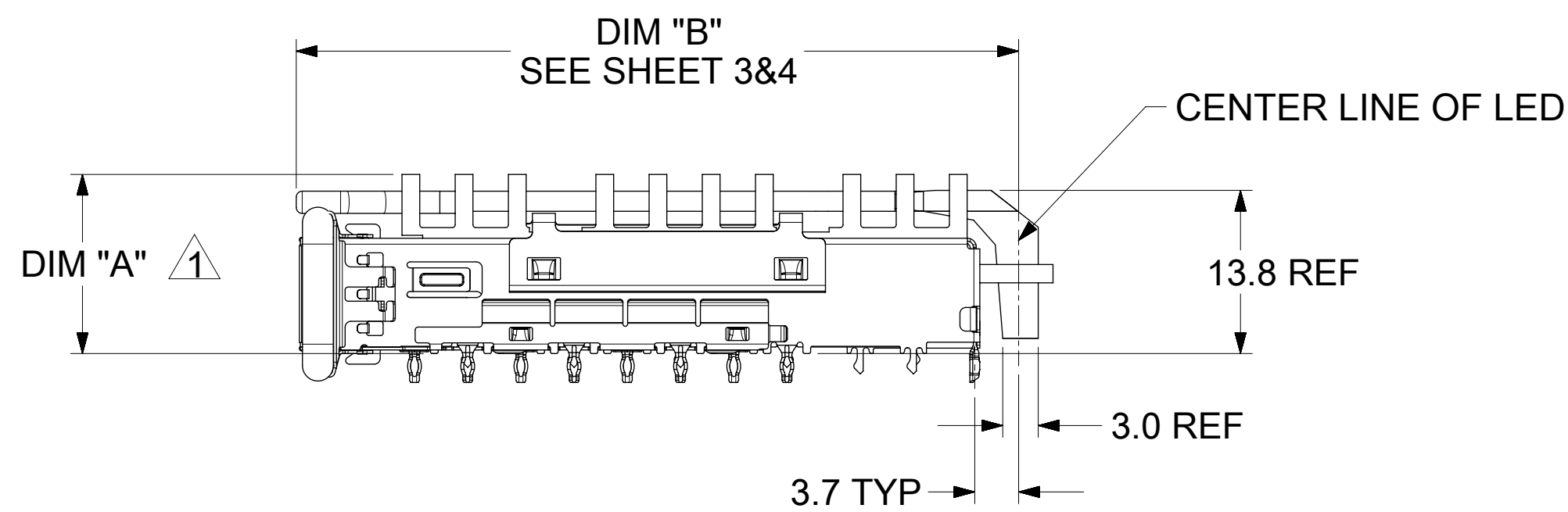
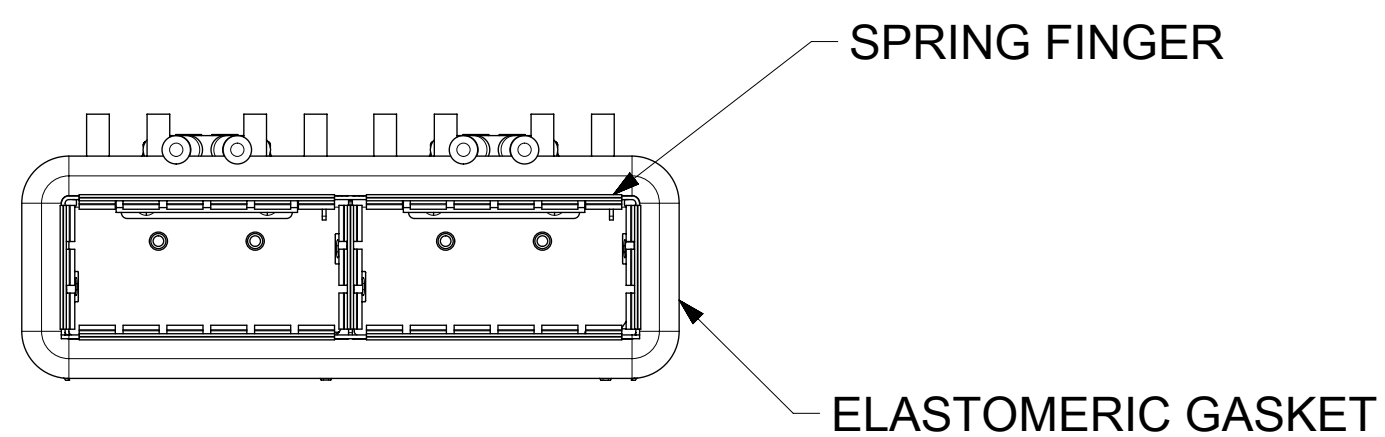
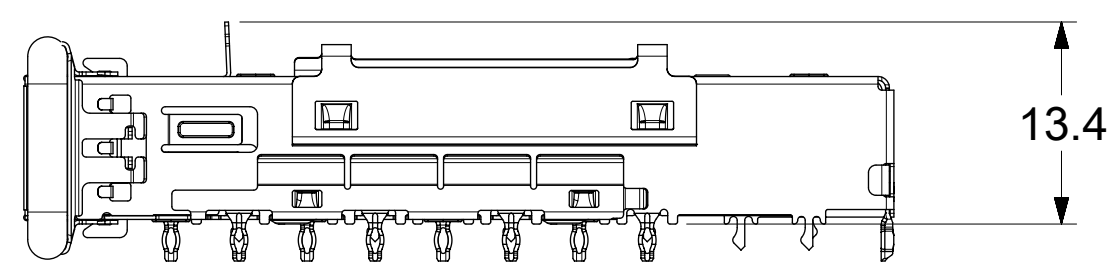
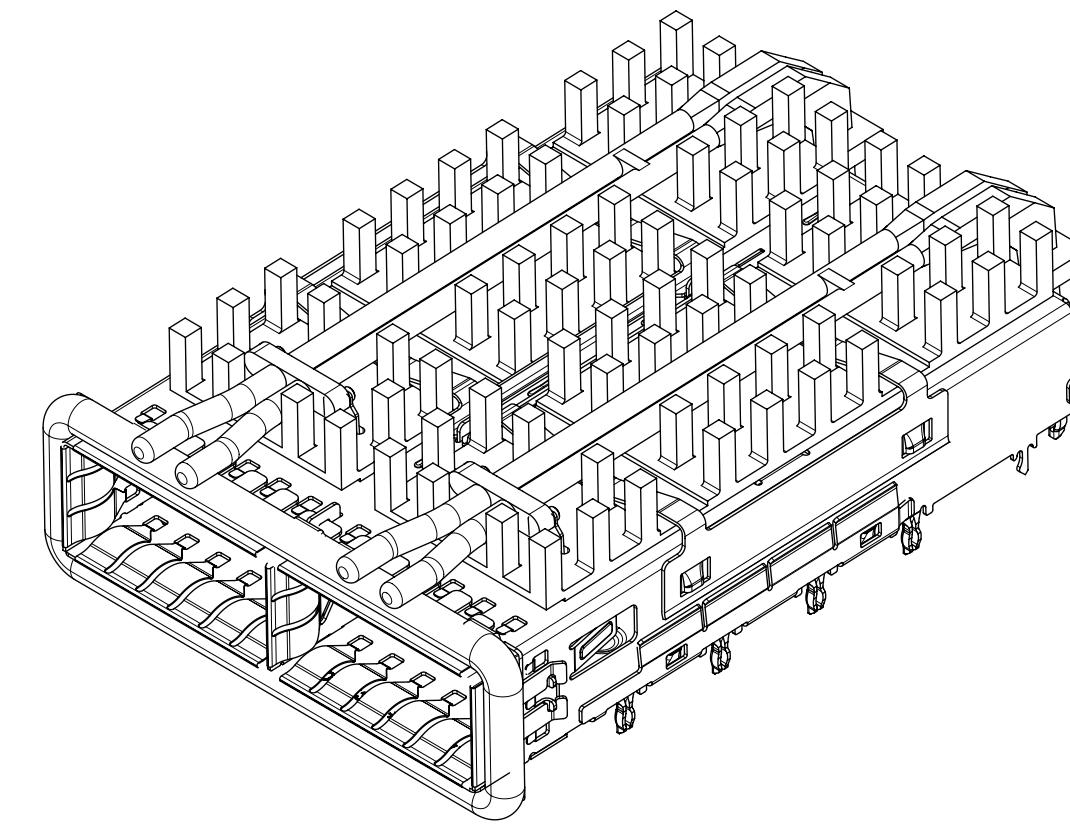
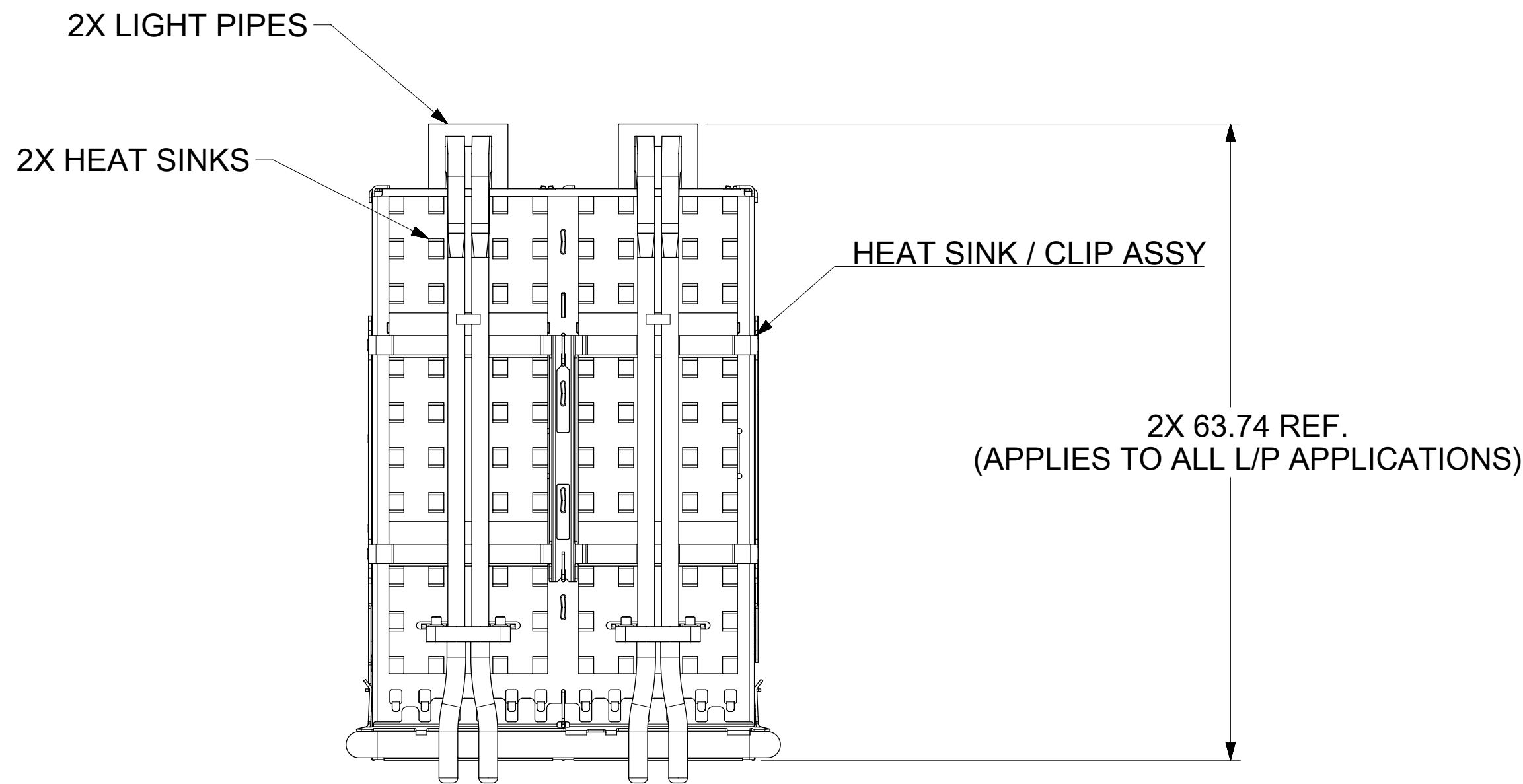
WEEK/YEAR DATE CODE TABLE	
WK	WEEK OF THE YEAR 01 THRU 52 OR 53 (EXAMPLE: 01= FIRST WEEK OF YEAR 52 OR 53= LAST WEEK OF YEAR)
YR	16, 17, 18 ETC.. (EXAMPLE: YEAR 2016= 16)

QUALITY SYMBOLS	THIS DRAWING CONTAINS INFORMATION THAT IS PROPRIETARY TO MOLEX ELECTRONIC TECHNOLOGIES, LLC AND SHOULD NOT BE USED WITHOUT WRITTEN PERMISSION									
	∇ = 0 ∇ = 0 ∇ = 0 ∇ = 0 ∇ = 0 ∇ = 0 ∇ = 0 ∇ = 0 ∇ = 0 ∇ = 0 ∇ = 0	EC NO: 103404 DRWN: LLU20 CHKD: RCHEN08 REV APPR: RCHEN08	2016/03/09 2016/03/17 2016/03/17	GENERAL TOLERANCES (UNLESS SPECIFIED) ANGULAR TOL \pm 1.0 ° 4 PLACES \pm 3 PLACES \pm 2 PLACES \pm 0.13 1 PLACE \pm 0.25 0 PLACES \pm DRAFT WHERE APPLICABLE MUST REMAIN WITHIN DIMENSIONS	DIMENSION UNITS: mm SCALE: 2:1 DRWN BY: LLU20 DATE: 2016/02/16 CHKD BY: RCHEN08 DATE: 2016/03/07 APPR BY: RCHEN08 DATE: 2016/03/08	PRODUCT CUSTOMER DRAWING SERIES: 100015 MATERIAL NUMBER: 1000152200 CUSTOMER: GENERAL MARKET	ZQSFP+ 1X2 GANGED CAGE	molex®	DOCUMENT NUMBER: 1000152200 DOC TYPE: PSD DOC PART: ASY SHEET NUMBER: 1 OF 8	
SEE REVISION TABLE	C1									

CAGE ASSEMBLY OPTIONS

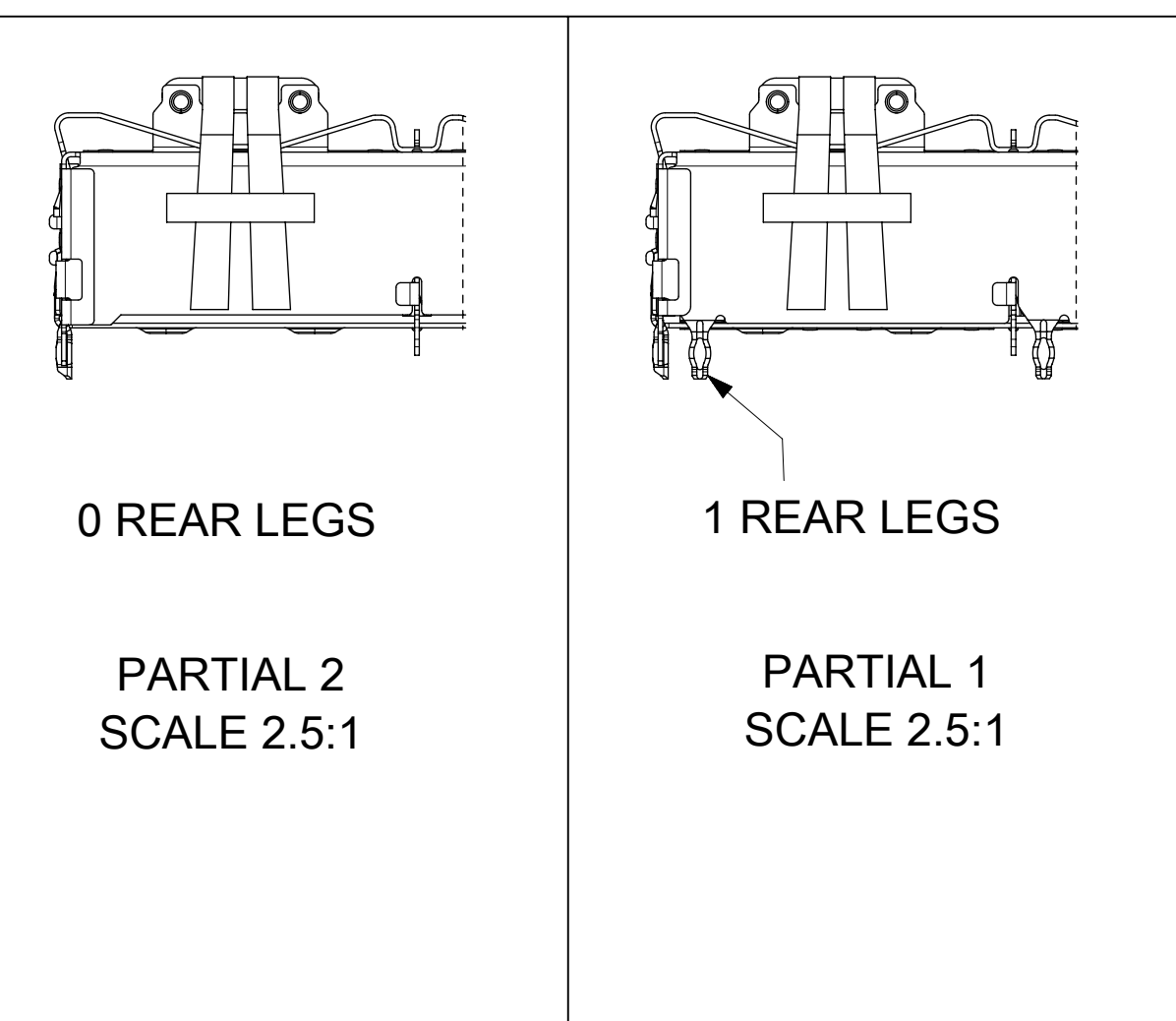
1000152544

SHOWN



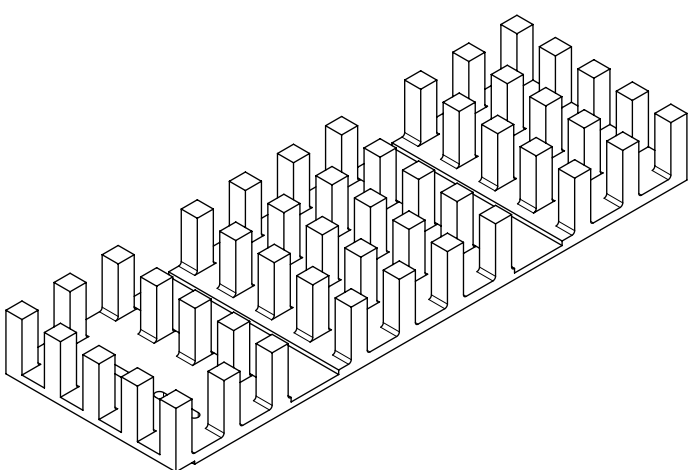
REAR LEG OPTIONS

(GASKET AND FRAME REMOVED FOR CLARITY)

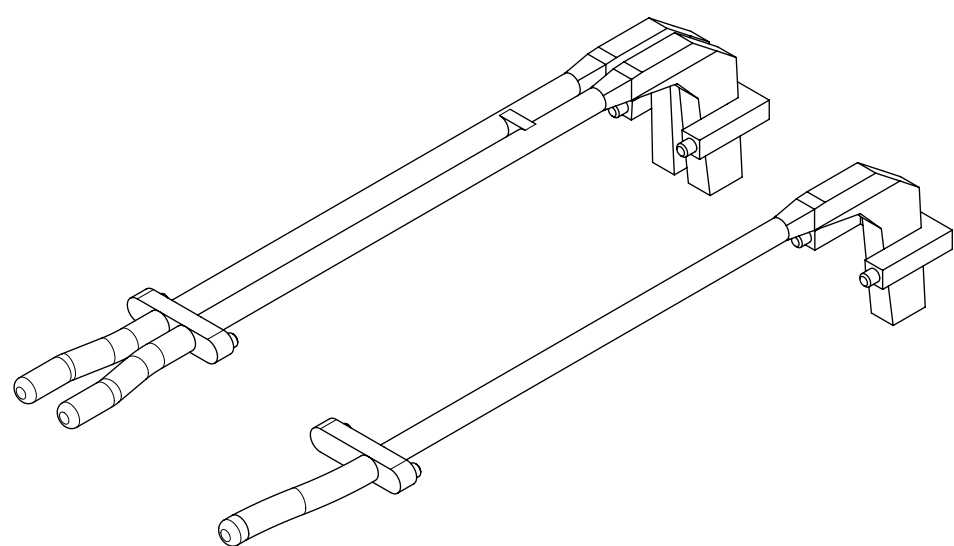


HEATSINK AND LIGHT PIPE COMBINATIONS

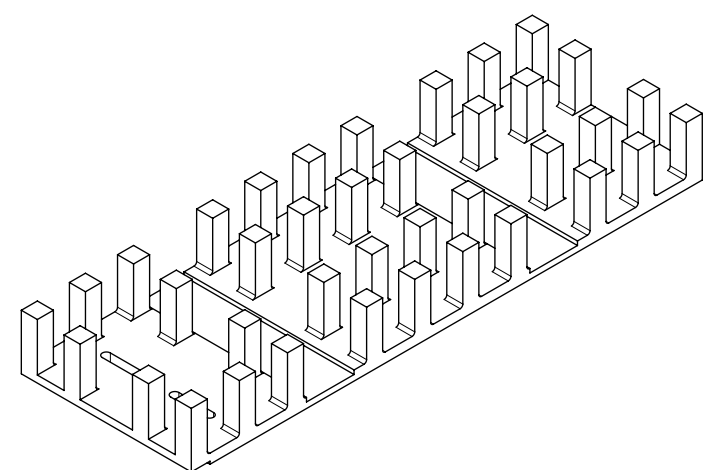
HEATSINK USED WITHOUT LIGHTPIPE



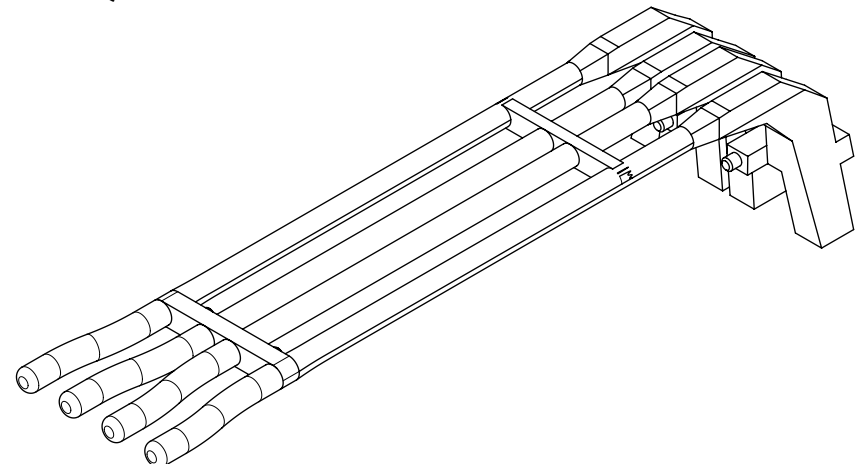
SINGLE / DUAL LIGHT PIPE



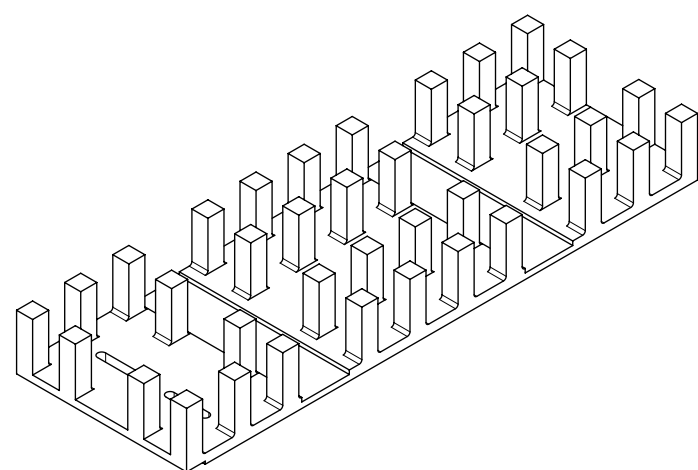
HEAT SINK



QUAD LIGHT PIPE



HEAT SINK



HEATSINK HEIGHT OPTIONS

OVERALL HEAT SINK HEIGHT	DIM "A"
PCI	13.7 REF
SAN	16.0 REF
NET	23.0 REF

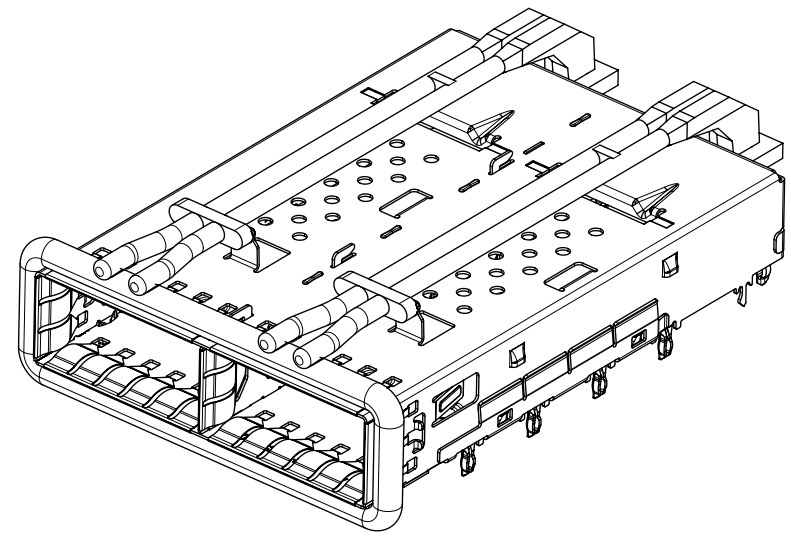
¹ HEIGHT OF HEAT SINK WITH MODULE INSERTED. DIMENSION MAY BE LESS DUE TO MODULE AND HEAT SINK VARIATIONS

QUALITY SYMBOLS F = 0 E = 0 E = 0 = 0 C = 0 X = 0 = 0 = 0	THIS DRAWING CONTAINS INFORMATION THAT IS PROPRIETARY TO MOLEX ELECTRONIC TECHNOLOGIES, LLC AND SHOULD NOT BE USED WITHOUT WRITTEN PERMISSION		GENERAL TOLERANCES (UNLESS SPECIFIED)		DIMENSION UNITS	SCALE			
	SEE REVISION TABLE		ANGULAR TOL ± 1.0 °		mm	2:1			
EC NO: 103404	2016/03/09	DRWN: LLU20	2016/03/17	4 PLACES ±	DRWN BY	DATE	ZQSFP+ 1X2 GANGED CAGE		
CHKD: RCHEN08	2016/03/17	REV: RCHEN08	2016/03/17	3 PLACES ±	LLU20	2016/02/16			
				2 PLACES ± 0.13	CHKD BY	DATE	PRODUCT CUSTOMER DRAWING		
				1 PLACE ± 0.25	LLU20	2016/03/07			
				0 PLACES ±	APPR BY	DATE	SERIES: 100015 MATERIAL NUMBER: 1000152200 CUSTOMER: GENERAL MARKET		
				DRAFT WHERE APPLICABLE MUST REMAIN WITHIN DIMENSIONS	RCHEN08	2016/03/08			
					DRAWING SIZE	THIRD ANGLE PROJECTION	DOCUMENT NUMBER: 1000152200 DOC TYPE: PSD DOC PART: ASY SHEET NUMBER: 2 OF 8		
					D				

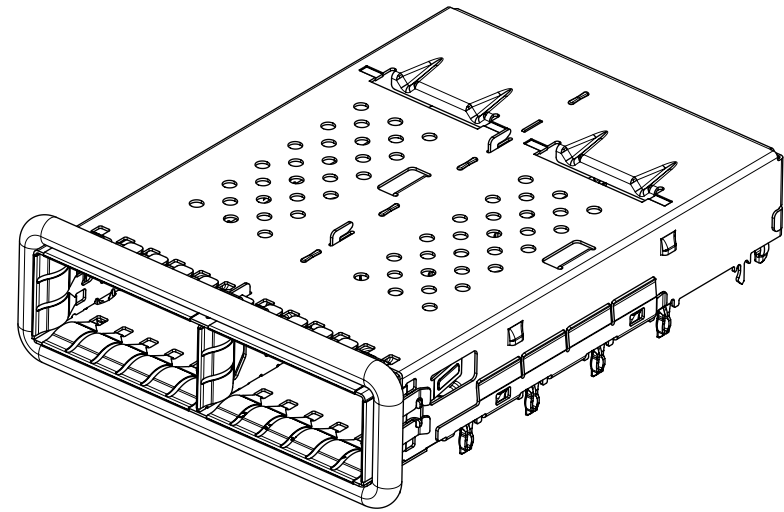
PART NUMBER SELECTION

(ROUND GASKET OPTION)

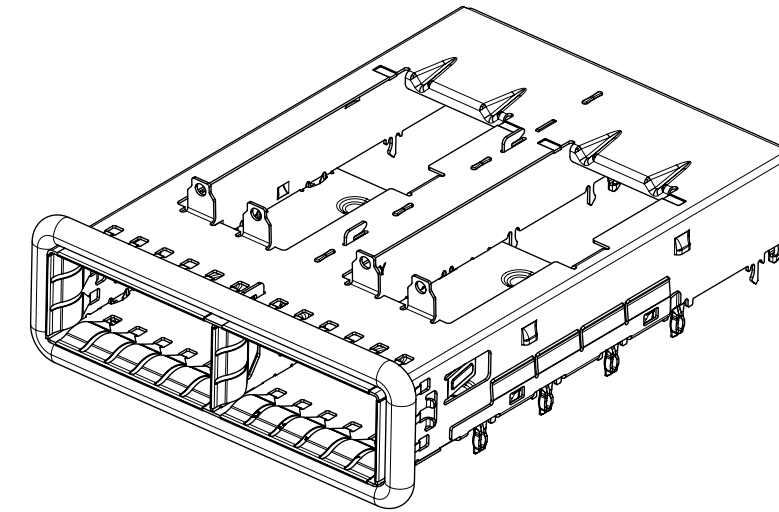
NO HEATSINKS
WITH LIGHT PIPES
CLOSED TOP



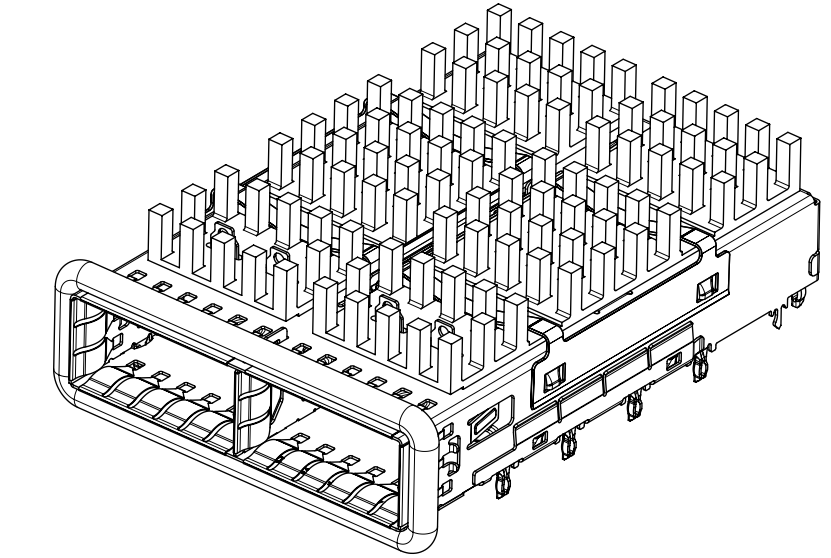
NO HEATSINKS
NO LIGHT PIPES
CLOSED TOP



NO HEATSINKS
NO LIGHT PIPES
OPEN TOP



WITH HEATSINKS
NO LIGHT PIPES



MOLEX P/N	LIGHTPIPES	#OF REAR LEGS PER PORT	DIM "B"
1000152231	SINGLE	0	61.10 REF.
1000152232	SINGLE	1	61.10 REF.
1000152233	DUAL	0	61.10 REF.
1000152234	DUAL	1	61.10 REF.
1000152235	QUAD	0	61.10 REF.
1000152236	QUAD	1	61.10 REF.

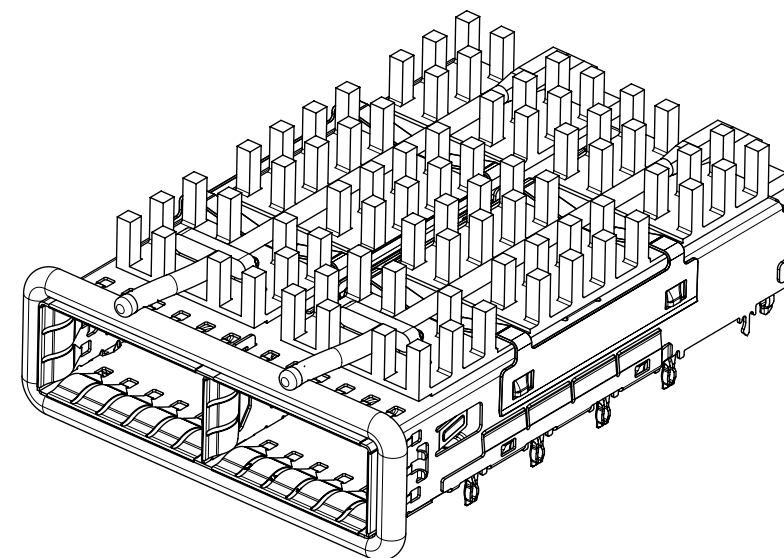
MOLEX P/N W/ SPRING FINGERS	#OF REAR LEGS PER PORT
1000152240	0
1000152242	1

MOLEX P/N W/ SPRING FINGERS	#OF REAR LEGS PER PORT
1000152250	0
1000152252	1

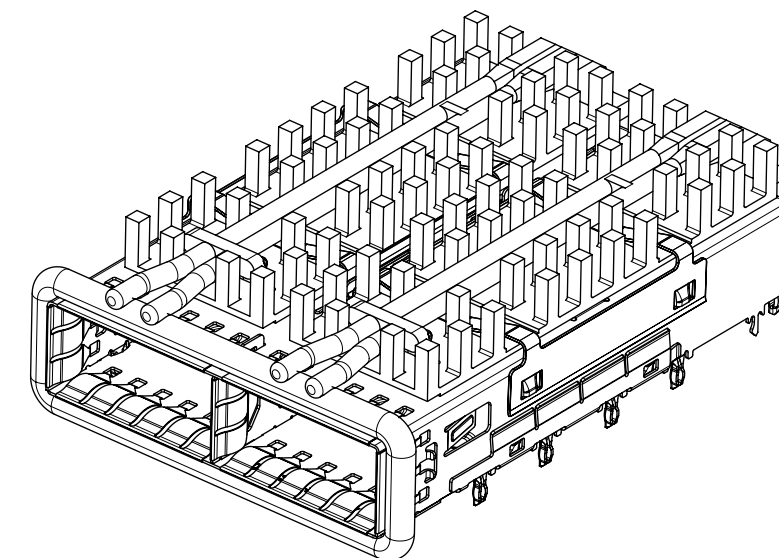
MOLEX P/N	HEATSINKS	#OF REAR LEGS PER PORT
1000152340	PCI	0
1000152341	SAN	0
1000152342	NET	0
1000152343	PCI	1
1000152344	SAN	1
1000152345	NET	1

WITH HEATSINKS AND LIGHT PIPES

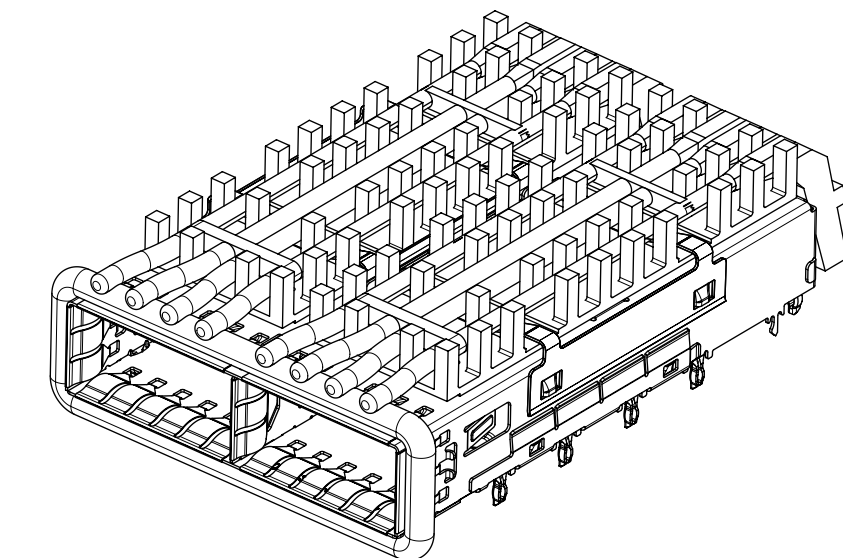
SINGLE LIGHT PIPE



DUAL LIGHT PIPE



QUAD LIGHT PIPE



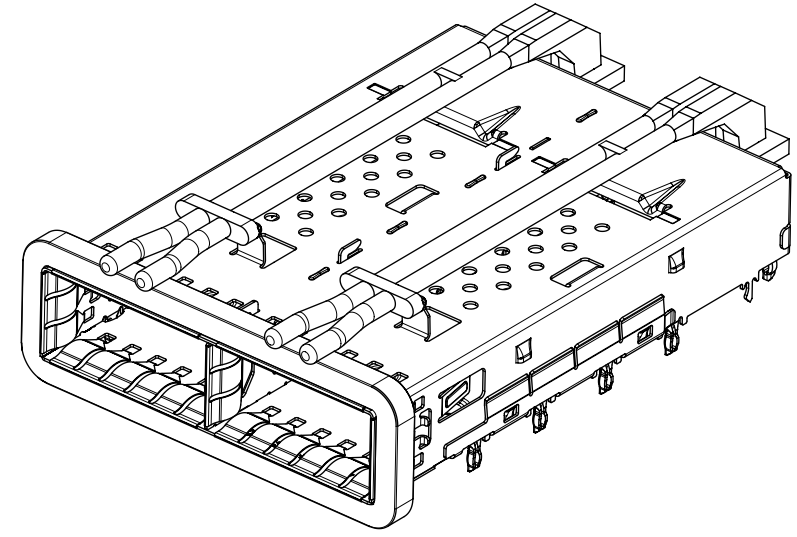
MOLEX P/N	LIGHTPIPES	HEATSINKS	#OF REAR LEGS PER PORT	DIM "B"
1000152440	SINGLE	PCI	0	61.10 REF.
1000152441	SINGLE	SAN	0	61.10 REF.
1000152442	SINGLE	NET	0	61.10 REF.
1000152443	DUAL	PCI	0	61.10 REF.
1000152444	DUAL	SAN	0	61.10 REF.
1000152445	DUAL	NET	0	61.10 REF.
1000152446	QUAD	PCI	0	61.10 REF.
1000152447	QUAD	SAN	0	61.10 REF.
1000152448	QUAD	NET	0	61.10 REF.
1000152540	SINGLE	PCI	1	61.10 REF.
1000152541	SINGLE	SAN	1	61.10 REF.
1000152542	SINGLE	NET	1	61.10 REF.
1000152543	DUAL	PCI	1	61.10 REF.
1000152544	DUAL	SAN	1	61.10 REF.
1000152545	DUAL	NET	1	61.10 REF.
1000152546	QUAD	PCI	1	61.10 REF.
1000152547	QUAD	SAN	1	61.10 REF.
1000152548	QUAD	NET	1	61.10 REF.

QUALITY SYMBOLS F = 0 E = 0 E = 0 ▽ = 0 C = 0 ⊠ = 0 ■ = 0 ▽ = 0	THIS DRAWING CONTAINS INFORMATION THAT IS PROPRIETARY TO MOLEX ELECTRONIC TECHNOLOGIES, LLC AND SHOULD NOT BE USED WITHOUT WRITTEN PERMISSION				
	SEE REVISION TABLE EC NO: 103404 DRWN: LLU20 CHKD: RCHEN08 REV/ APPR: RCHEN08	2016/03/09 2016/03/17 2016/03/17	GENERAL TOLERANCES (UNLESS SPECIFIED) ANGULAR TOL ± 1.0 ° 4 PLACES ± 3 PLACES ± 2 PLACES ± 0.13 1 PLACE ± 0.25 0 PLACES ± DRAFT WHERE APPLICABLE MUST REMAIN WITHIN DIMENSIONS	DIMENSION UNITS: mm SCALE: 1.5:1 DRWN BY: LLU20 DATE: 2016/02/16 CHKD BY: LLU20 DATE: 2016/03/07 APPR BY: RCHEN08 DATE: 2016/03/08	 ZQSFP+ 1X2 GANGED CAGE PRODUCT CUSTOMER DRAWING SERIES: 100015 MATERIAL NUMBER: 1000152200 CUSTOMER: GENERAL MARKET DOCUMENT NUMBER: 1000152200 DOC TYPE: PSD DOC PART: ASY SHEET NUMBER: 3 OF 8
		C1	D	THIRD ANGLE PROJECTION	
		RELEASE STATUS: P1 RELEASE DATE: 2016/03/17 19:56:10			

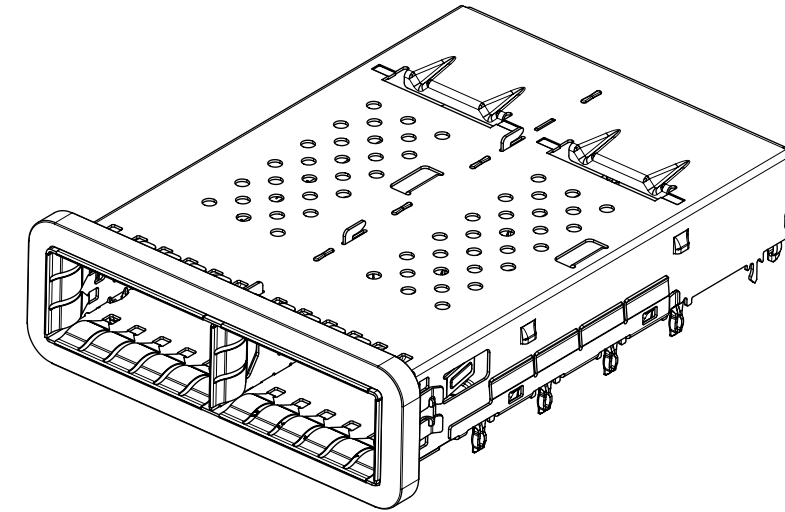
PART NUMBER SELECTION

(SQUARE GASKET OPTION)

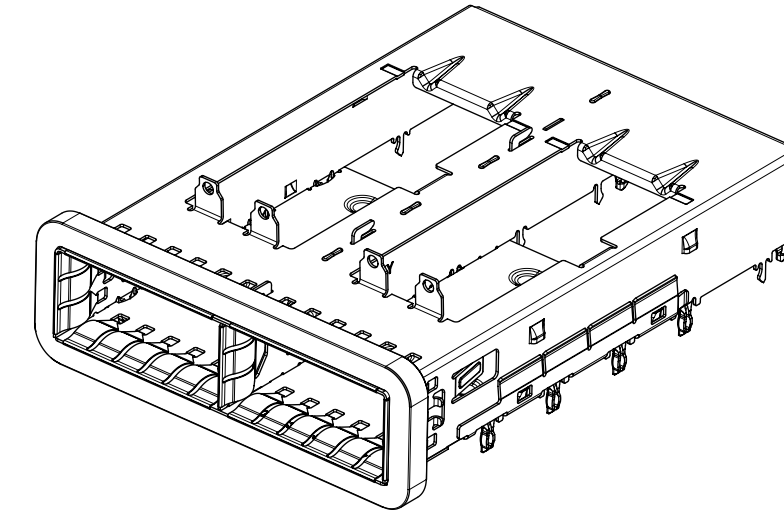
NO HEATSINKS
WITH LIGHT PIPES
CLOSED TOP



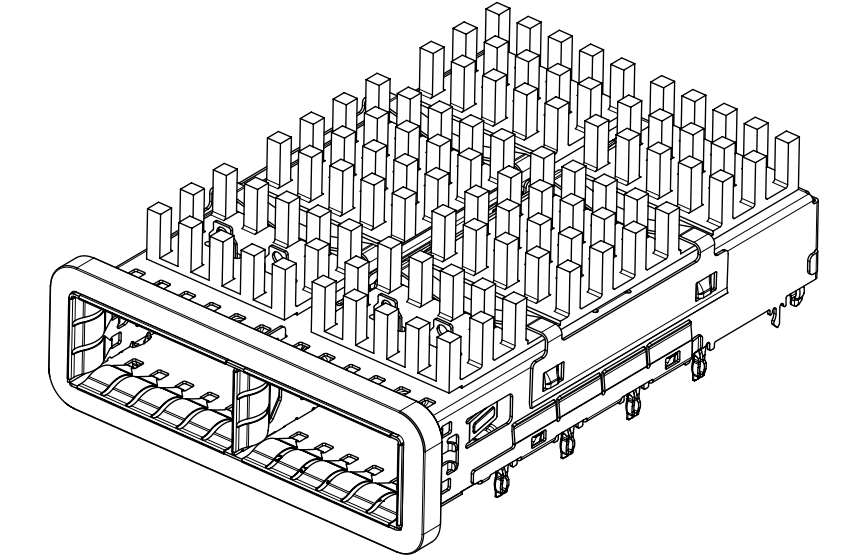
NO HEATSINKS
NO LIGHT PIPES
CLOSED TOP



NO HEATSINKS
NO LIGHT PIPES
OPEN TOP



WITH HEATSINKS
NO LIGHT PIPES



MOLEX P/N	LIGHTPIPES	#OF REAR LEGS PER PORT	DIM "B"
1000153231	SINGLE	0	61.10 REF.
1000153232	SINGLE	1	61.10 REF.
1000153233	DUAL	0	61.10 REF.
1000153234	DUAL	1	61.10 REF.
1000153235	QUAD	0	61.10 REF.
1000153236	QUAD	1	61.10 REF.

MOLEX P/N W/ SPRING FINGERS	#OF REAR LEGS PER PORT
1000153240	0
1000153242	1

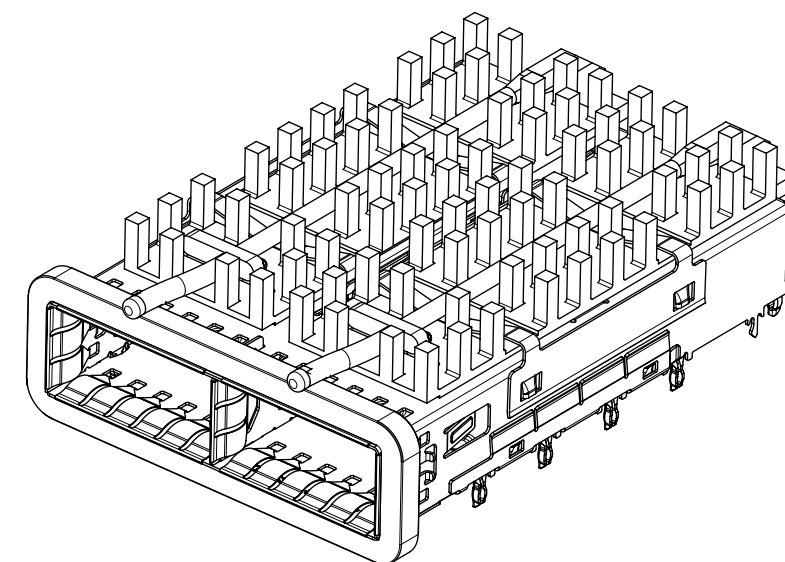
MOLEX P/N W/ SPRING FINGERS	#OF REAR LEGS PER PORT
1000153250	0
1000153252	1

MOLEX P/N	HEATSINKS	#OF REAR LEGS PER PORT
1000153340	PCI	0
1000153341	SAN	0
1000153342	NET	0
1000153343	PCI	1
1000153344	SAN	1
1000153345	NET	1

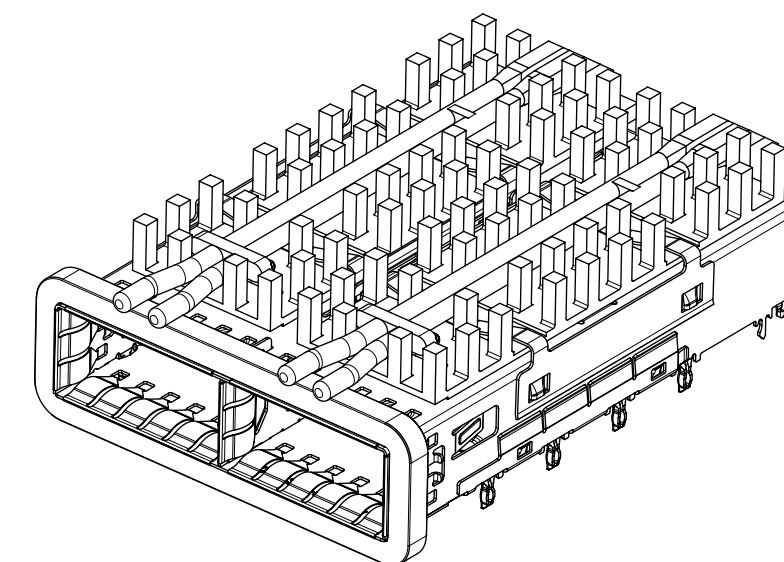
WITH HEATSINKS AND LIGHT PIPES

MOLEX P/N	LIGHTPIPES	HEATSINKS	#OF REAR LEGS PER PORT	DIM "B"
1000153440	SINGLE	PCI	0	61.10 REF.
1000153441	SINGLE	SAN	0	61.10 REF.
1000153442	SINGLE	NET	0	61.10 REF.
1000153443	DUAL	PCI	0	61.10 REF.
1000153444	DUAL	SAN	0	61.10 REF.
1000153445	DUAL	NET	0	61.10 REF.
1000153446	QUAD	PCI	0	61.10 REF.
1000153447	QUAD	SAN	0	61.10 REF.
1000153448	QUAD	NET	0	61.10 REF.
1000153540	SINGLE	PCI	1	61.10 REF.
1000153541	SINGLE	SAN	1	61.10 REF.
1000153542	SINGLE	NET	1	61.10 REF.
1000153543	DUAL	PCI	1	61.10 REF.
1000153544	DUAL	SAN	1	61.10 REF.
1000153545	DUAL	NET	1	61.10 REF.
1000153546	QUAD	PCI	1	61.10 REF.
1000153547	QUAD	SAN	1	61.10 REF.
1000153548	QUAD	NET	1	61.10 REF.

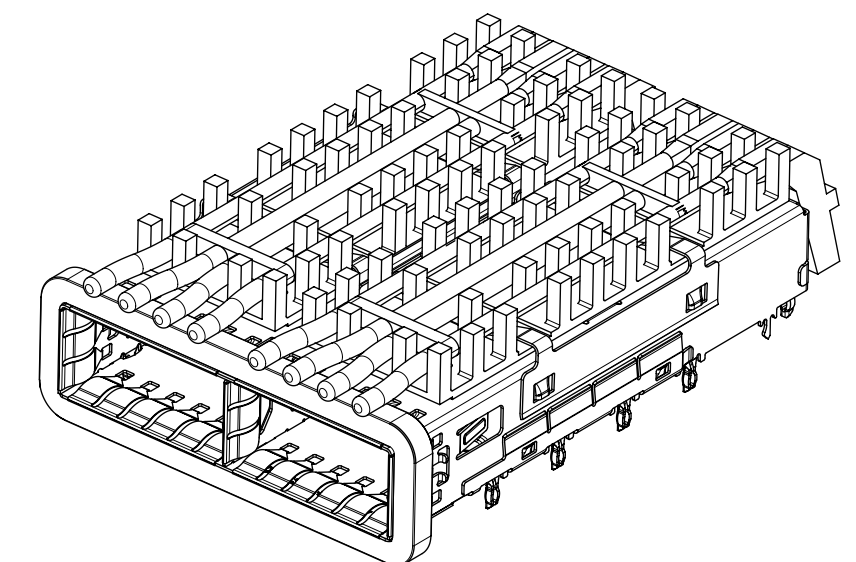
SINGLE LIGHT PIPE



DUAL LIGHT PIPE

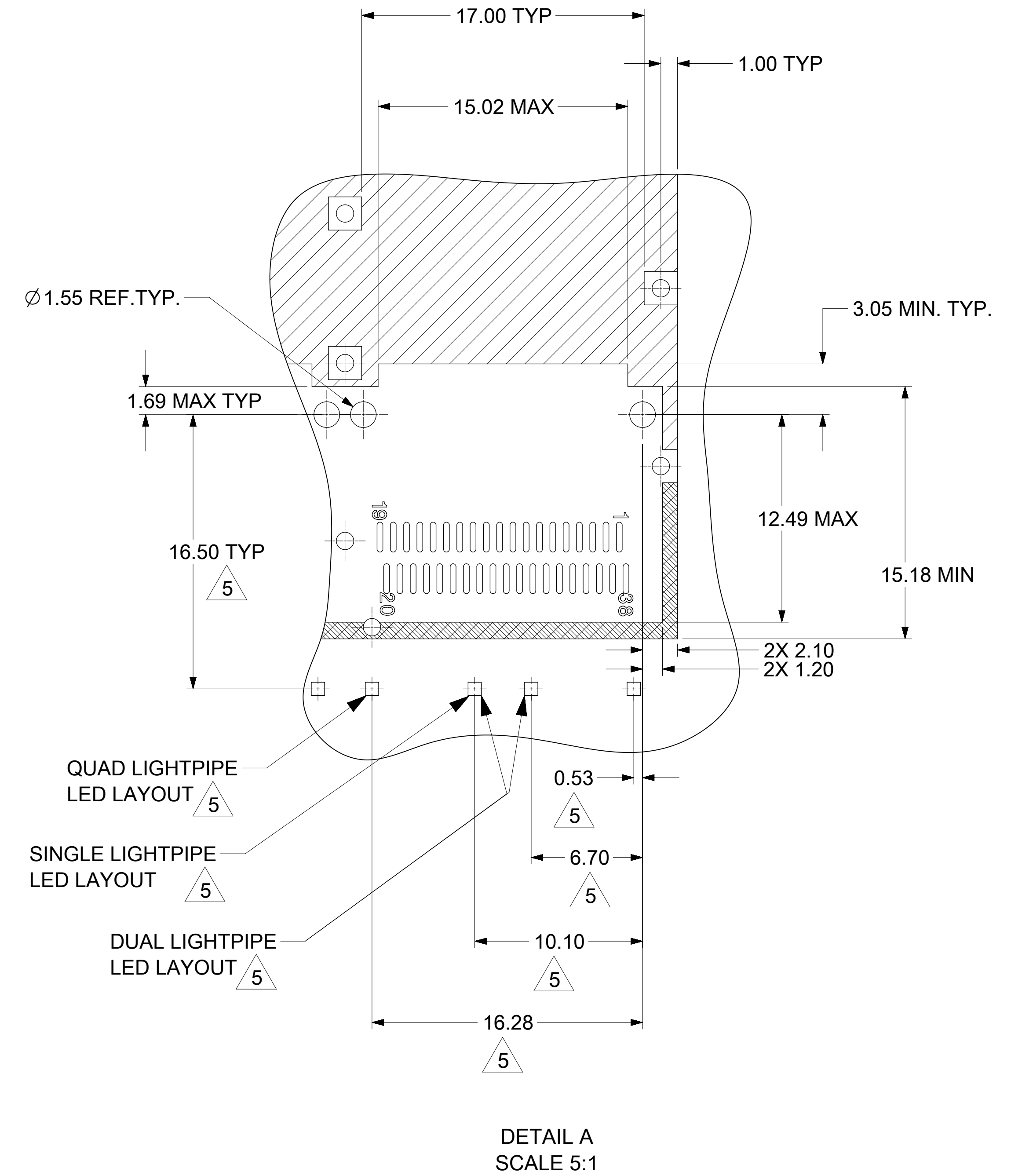
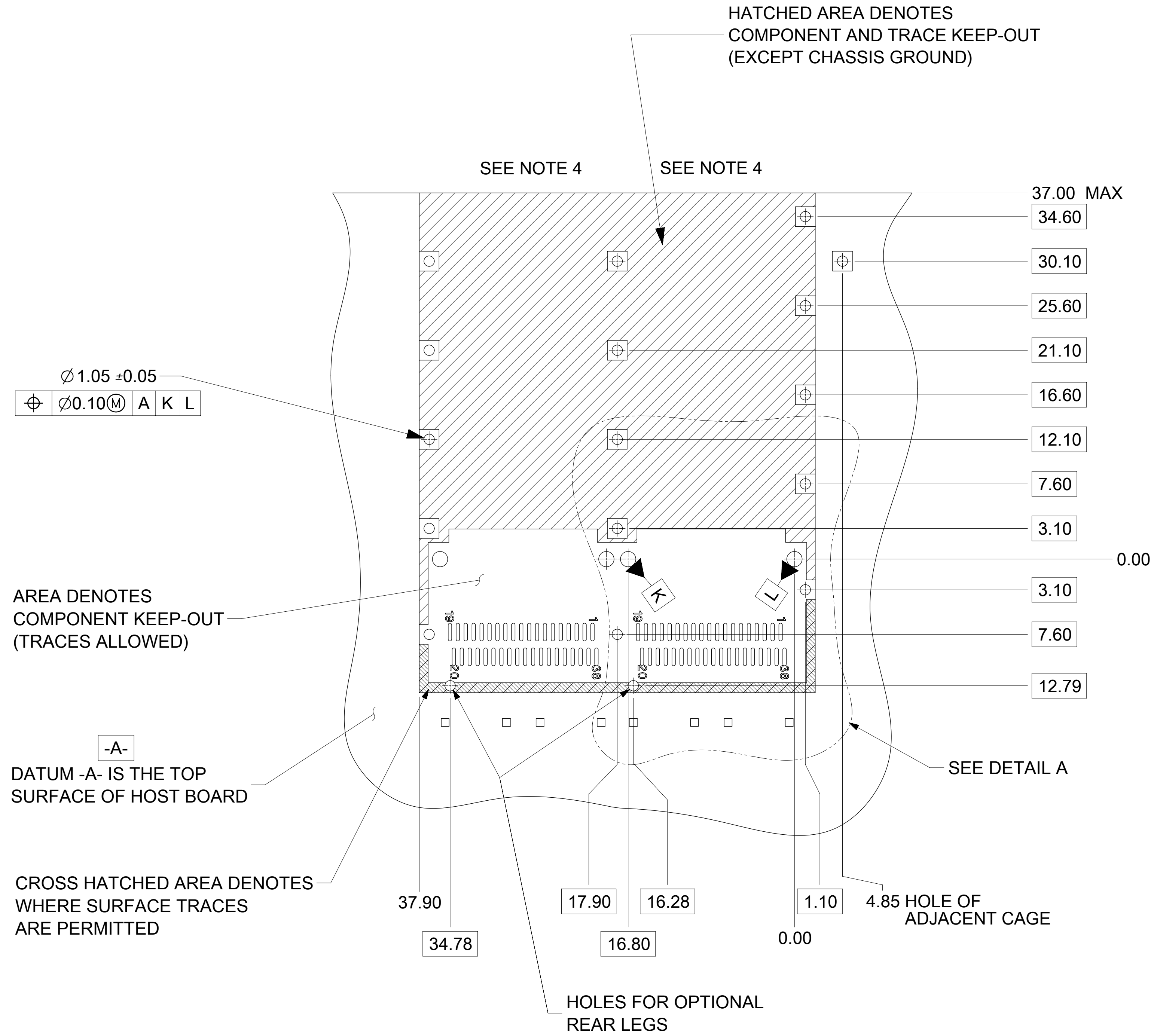


QUAD LIGHT PIPE



QUALITY SYMBOLS F = 0 E = 0 E = 0 E = 0 C = 0 C = 0 C = 0 C = 0 C = 0 C = 0	THIS DRAWING CONTAINS INFORMATION THAT IS PROPRIETARY TO MOLEX ELECTRONIC TECHNOLOGIES, LLC AND SHOULD NOT BE USED WITHOUT WRITTEN PERMISSION		GENERAL TOLERANCES (UNLESS SPECIFIED) ANGULAR TOL ± 1.0 ° 4 PLACES ± 3 PLACES ± 2 PLACES ± 0.13 1 PLACE ± 0.25 0 PLACES ± DRAFT WHERE APPLICABLE MUST REMAIN WITHIN DIMENSIONS	DIMENSION UNITS: mm SCALE: 1.5:1 DRWN BY: LLU20 DATE: 2016/02/16 CHKD BY: LLU20 DATE: 2016/03/07 APPR BY: RCHEN08 DATE: 2016/03/08	molex ZQSFP+ 1X2 GANGED CAGE PRODUCT CUSTOMER DRAWING
	SEE REVISION TABLE EC NO: 103404 DRWN: LLU20 CHKD: RCHEN08 REV: APPR: RCHEN08	2016/03/09 2016/03/17 2016/03/17	DIMENSION UNITS: mm SCALE: 1.5:1 DRWN BY: LLU20 DATE: 2016/02/16 CHKD BY: LLU20 DATE: 2016/03/07 APPR BY: RCHEN08 DATE: 2016/03/08	DRAFT WHERE APPLICABLE MUST REMAIN WITHIN DIMENSIONS	DIMENSION UNITS: mm SCALE: 1.5:1 DRWN BY: LLU20 DATE: 2016/02/16 CHKD BY: LLU20 DATE: 2016/03/07 APPR BY: RCHEN08 DATE: 2016/03/08

PCB LAYOUT FOR SINGLE SIDED MOUNTING

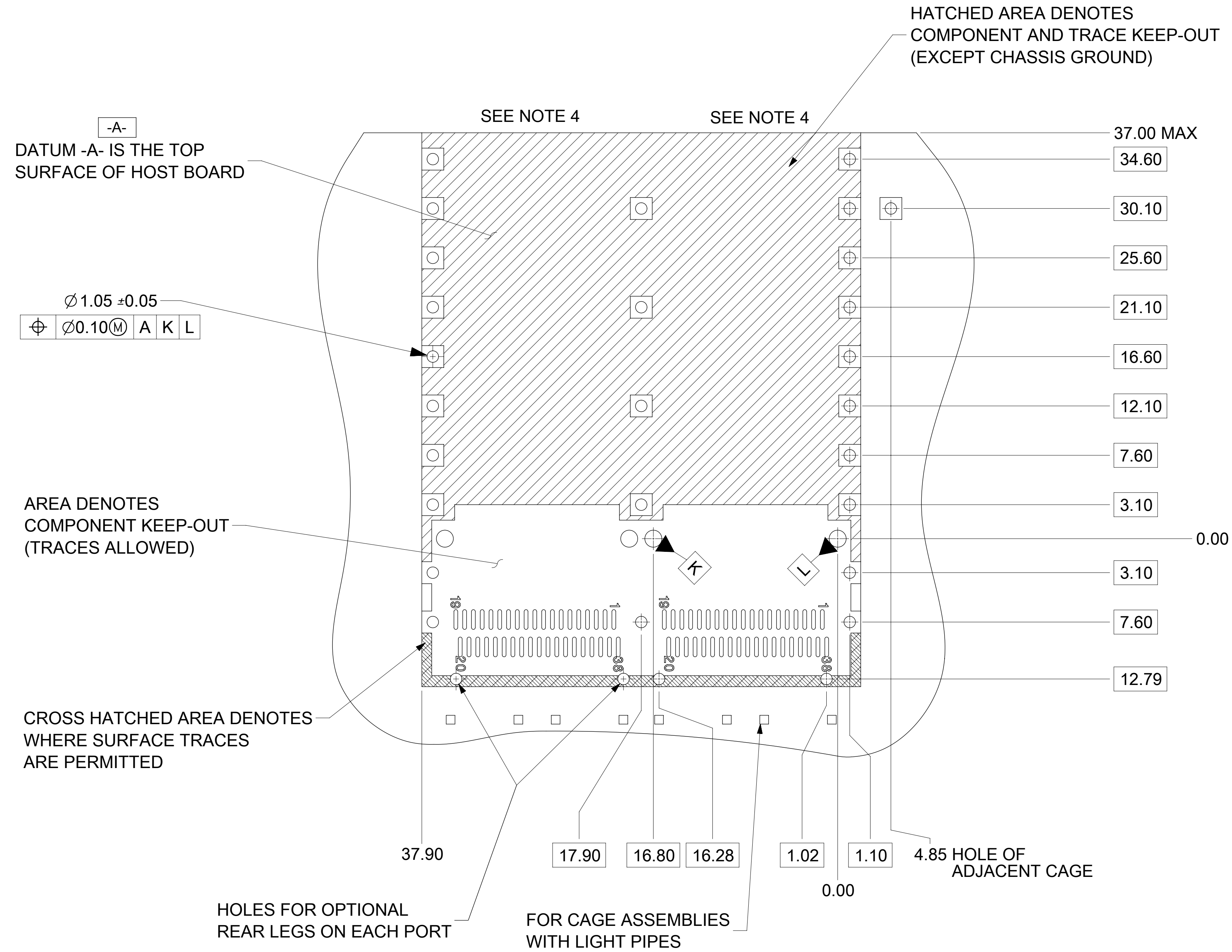


NOTES:

1. PADS AND VIAS GO TO CHASSIS GROUND. (RECOMMENDED PADS TO BE 2.00mm SQUARE.)
2. RECOMMENDED THRU HOLE PLATING INCLUDES HASL, OSP, OR IMMERSION (GOLD, SILVER, OR TIN).
3. CONNECTOR PAD LAYOUT PER SFF-8663 WILL ACCOMODATE MOLEX CONNECTOR SERIES 170432.
4. SPACING BETWEEN PORTS IS 19.00mm.
5. NOTED DIMENSIONS ONLY APPLY TO CAGE ASSEMBLIES WITH LIGHT PIPES.

THIS DRAWING CONTAINS INFORMATION THAT IS PROPRIETARY TO MOLEX ELECTRONIC TECHNOLOGIES, LLC AND SHOULD NOT BE USED WITHOUT WRITTEN PERMISSION									
QUALITY SYMBOLS	F = 0 E = 0 D = 0 C = 0 B = 0 A = 0 0 = 0	SEE REVISION TABLE EC NO: 103404 DRWN: LLU20 CHKD: RCHEN08 REV APPR: RCHEN08	GENERAL TOLERANCES (UNLESS SPECIFIED)		DIMENSION UNITS	SCALE			
			ANGULAR TOL ± 1.0 °		mm	3.5:1			
			4 PLACES ±	LLU20	DATE	ZQSFP+ 1X2 GANGED CAGE			
			3 PLACES ±	LLU20	2016/02/16				
			2 PLACES ± 0.13	LLU20	DATE	PRODUCT CUSTOMER DRAWING			
			1 PLACE ± 0.25	RCHEN08	2016/03/07				
			0 PLACES ±	RCHEN08	DATE	SERIES: 100015 MATERIAL NUMBER: 1000152200 CUSTOMER: GENERAL MARKET			
			DRAFT WHERE APPLICABLE MUST REMAIN WITHIN DIMENSIONS	RCHEN08	2016/03/08				
				DRAWING SIZE	THIRD ANGLE PROJECTION	DOCUMENT NUMBER: 1000152200 DOC TYPE: PSD DOC PART: ASY SHEET NUMBER: 5 OF 8			
				D					

PCB LAYOUT FOR BELLY TO BELLY MOUNTING



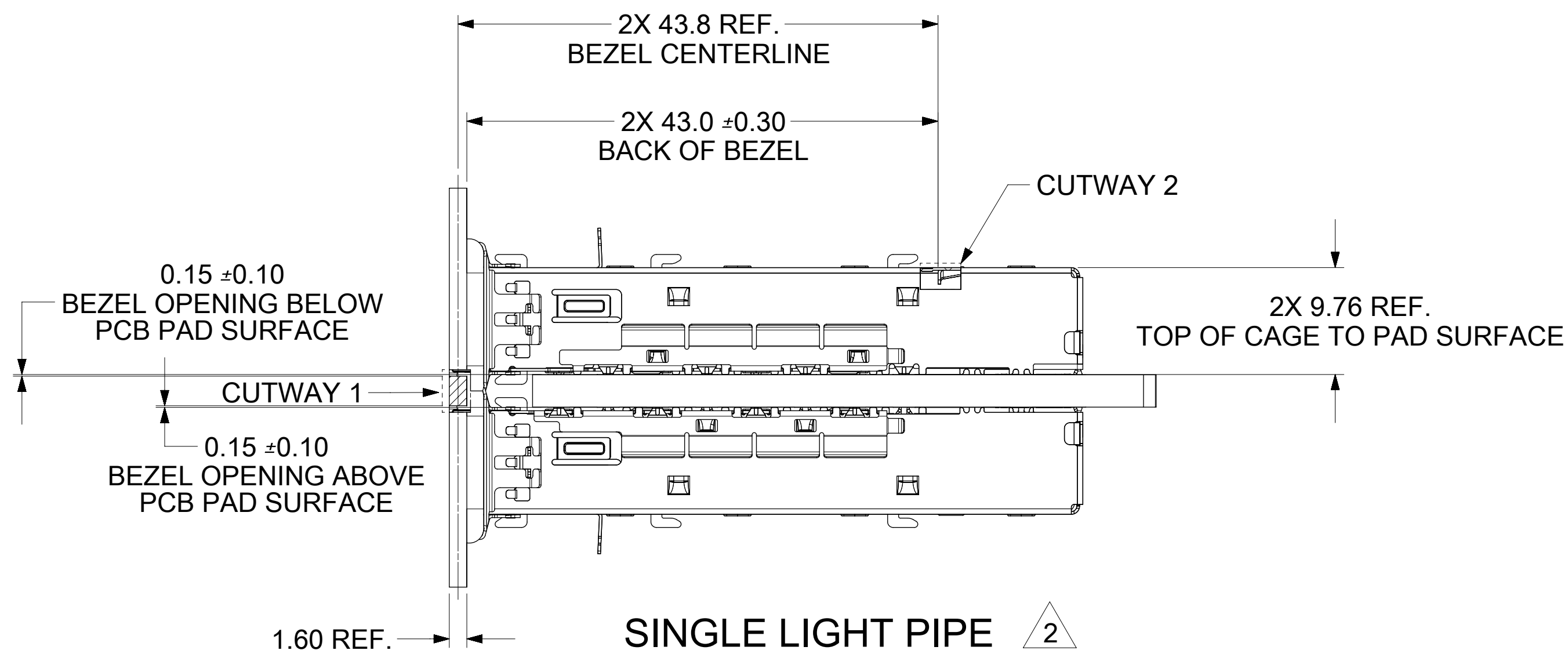
NOTE:
SEE SHEET 5 FOR
HOST CONNECTOR DETAIL
AND LED LOCATION DETAILS

NOTES:

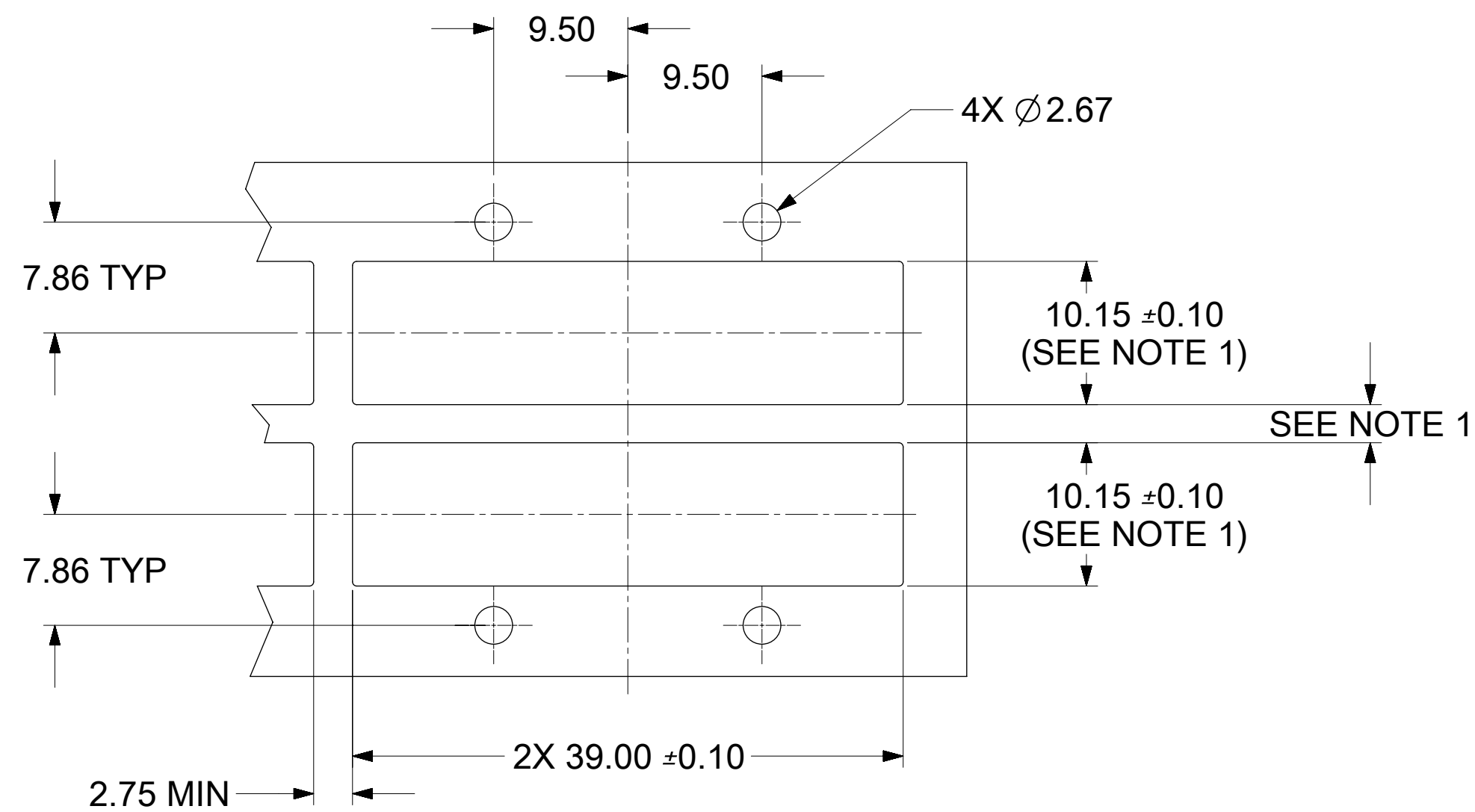
1. PADS AND VIAS GO TO CHASSIS GROUND. (RECOMMENDED PADS TO BE 2.00mm SQUARE.)
2. RECOMMENDED THRU HOLE PLATING INCLUDES HASL, OSP, OR IMMERSION (GOLD, SILVER, OR TIN).
3. CONNECTOR PAD LAYOUT PER SFF-8663 WILL ACCOMMODATE MOLEX CONNECTOR SERRIES 170432.
4. SPACING BETWEEN PORTS IS 19.00mm.

THIS DRAWING CONTAINS INFORMATION THAT IS PROPRIETARY TO MOLEX ELECTRONIC TECHNOLOGIES, LLC AND SHOULD NOT BE USED WITHOUT WRITTEN PERMISSION									
QUALITY SYMBOLS	F = 0 E = 0 D = 0 C = 0 B = 0 A = 0 0 = 0	SEE REVISION TABLE EC NO: 103404 DRWN: LLU20 CHKD: RCHEN08 REV APPR: RCHEN08	GENERAL TOLERANCES (UNLESS SPECIFIED)		DIMENSION UNITS	SCALE			
			ANGULAR TOL ± 1.0 °		mm	4:1			
			4 PLACES ±	LLU20	DATE	2016/02/16			
			3 PLACES ±	LLU20	DATE	2016/03/07			
			2 PLACES ± 0.13	RCHEN08	DATE	2016/03/08			
			1 PLACE ± 0.25	DRAFT WHERE APPLICABLE MUST REMAIN WITHIN DIMENSIONS					
			0 PLACES ±	DRAWING SIZE	THIRD ANGLE PROJECTION				
				D					
			PRODUCT CUSTOMER DRAWING		SERIES	MATERIAL NUMBER	CUSTOMER		
			100015		1000152200		GENERAL MARKET		
			DOCUMENT NUMBER		DOC TYPE	DOC PART	SHEET NUMBER		
			1000152200		PSD	ASY	6 OF 8		

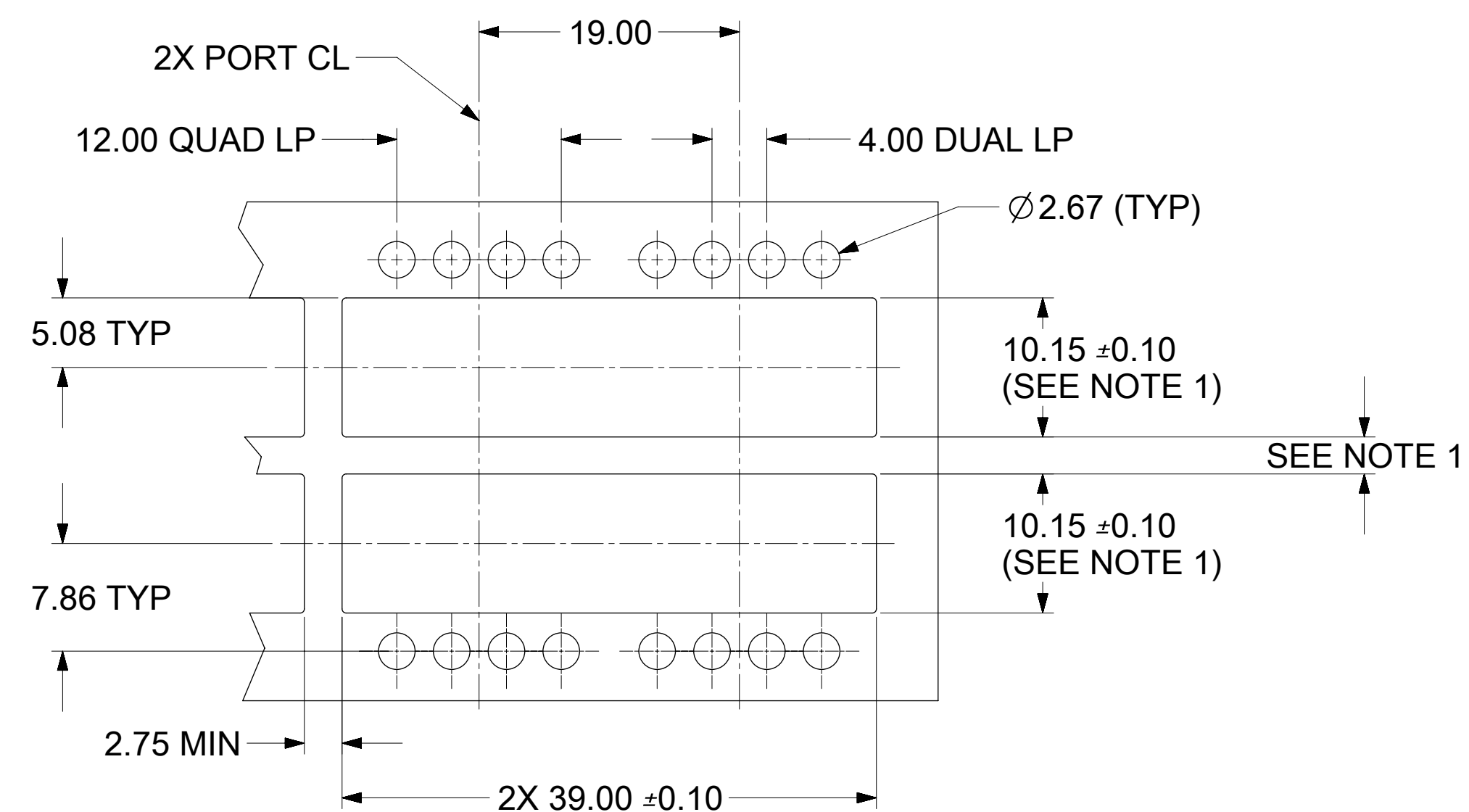
BEZEL AND BOARD POSITION DIMENSIONS FOR BELLY TO BELLY MOUNTING



SINGLE LIGHT PIPE ²

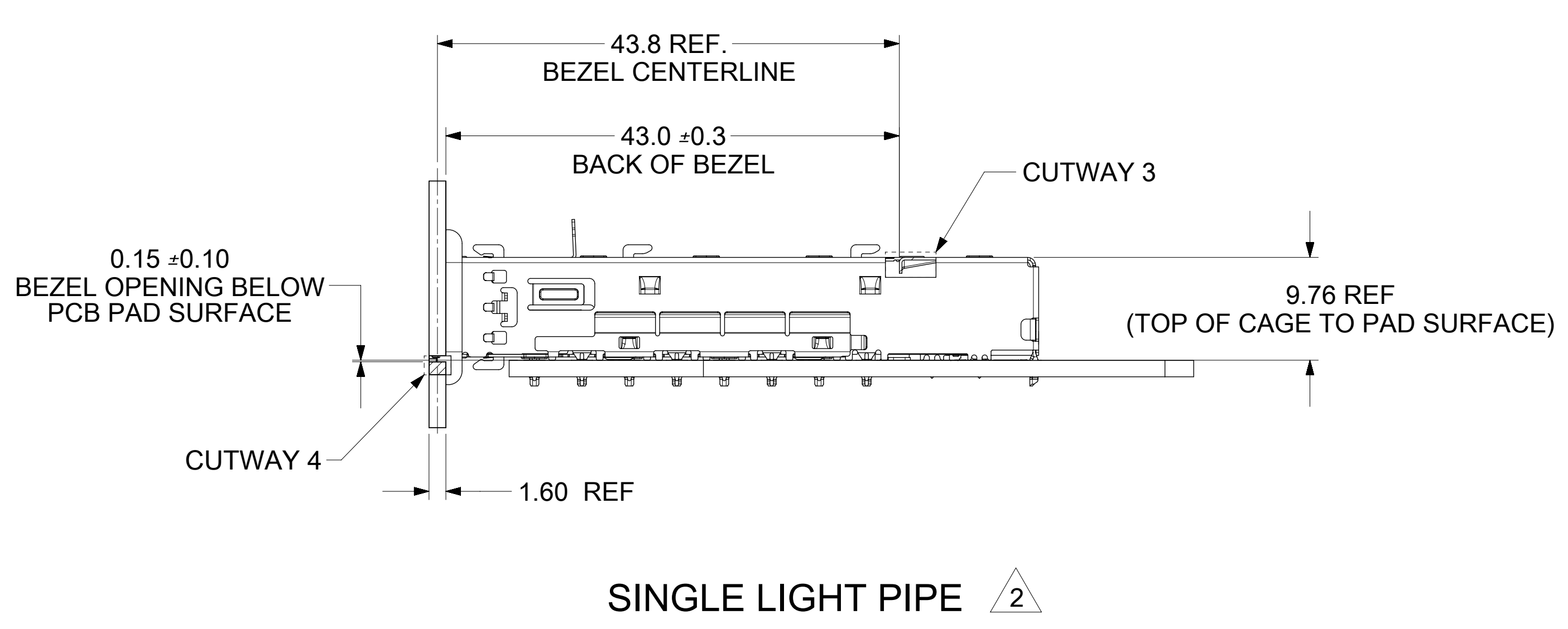


DUAL/QUAD LIGHT PIPE ²

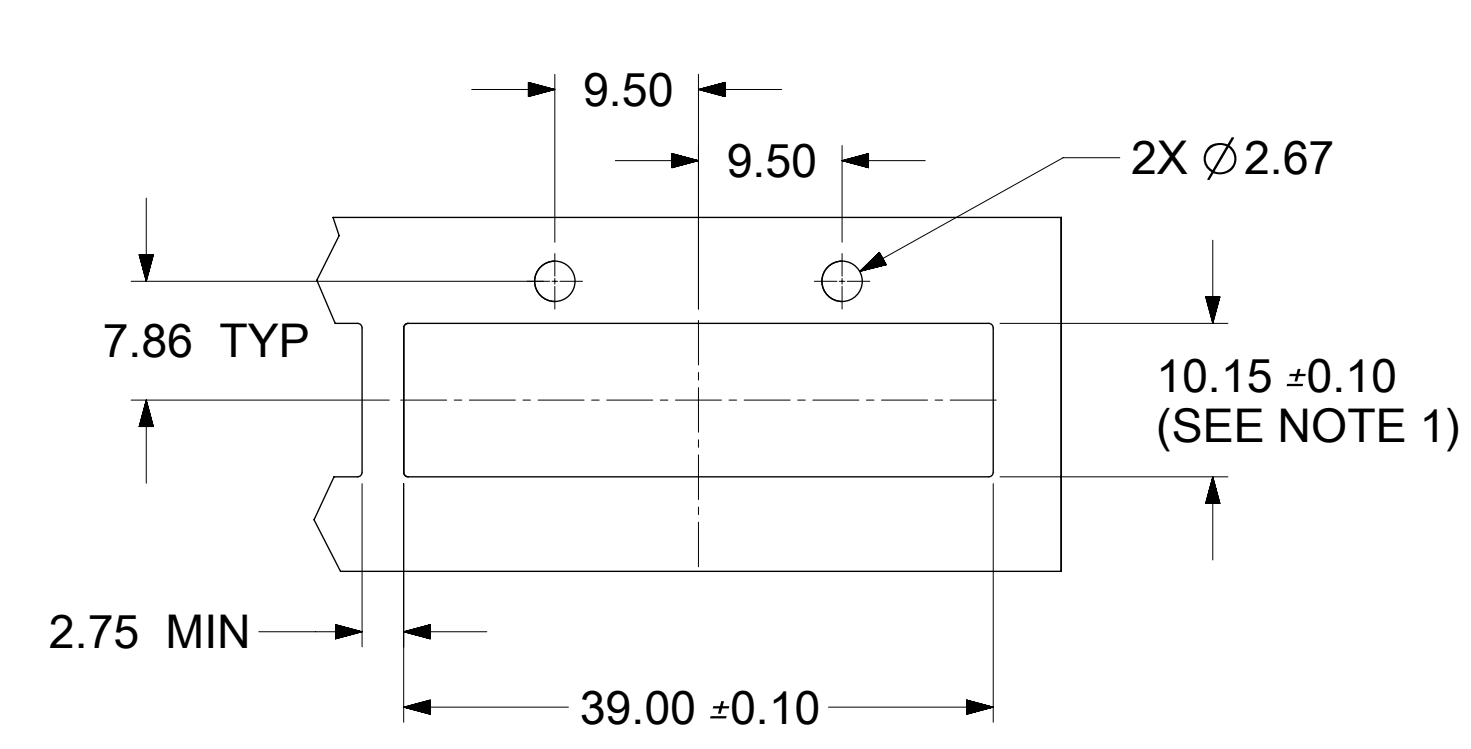


NOTE:
 1. PCB THICKNESS VARIATION MUST BE CONSIDERED WHEN DETERMINING BEZEL OPENING, SIZE, AND LOCATION.
² NOTED DIMENSIONS ONLY APPLY TO CAGE ASSEMBLIES WITH LIGHT PIPES.

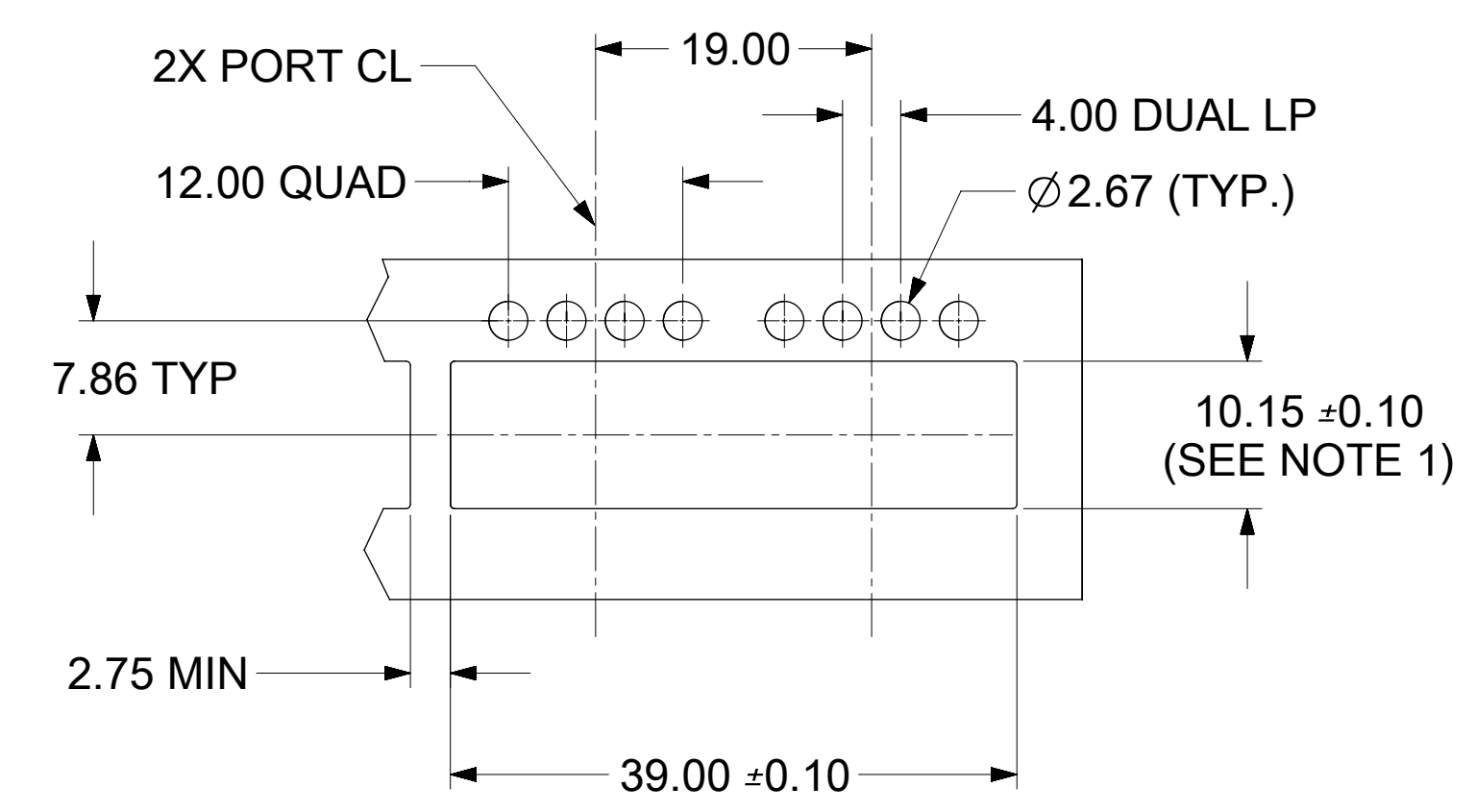
BEZEL AND BOARD POSITION DIMENSIONS FOR SINGLE SIDE MOUNTING



SINGLE LIGHT PIPE ²



DUAL/QUAD LIGHT PIPE ²



THIS DRAWING CONTAINS INFORMATION THAT IS PROPRIETARY TO MOLEX ELECTRONIC TECHNOLOGIES, LLC AND SHOULD NOT BE USED WITHOUT WRITTEN PERMISSION									
QUALITY SYMBOLS	GENERAL TOLERANCES (UNLESS SPECIFIED)			DIMENSION UNITS	SCALE				
F = 0 E = 0 E = 0 ▽ = 0 C = 0 ⊠ = 0 ■ = 0 ▽ = 0	ANGULAR TOL ± 1.0 ° 4 PLACES ± 3 PLACES ± 2 PLACES ± 0.13 1 PLACE ± 0.25 0 PLACES ±			mm	2.5:1				
SEE REVISION TABLE	EC NO: 103404	DRWN: LLU20	CHKD: RCHEN08	REV APPR: RCHEN08	DRWN BY	DATE	PRODUCT CUSTOMER DRAWING		
					LLU20	2016/02/16	SERIES	MATERIAL NUMBER	CUSTOMER
					LLU20	2016/03/07	100015	1000152200	GENERAL MARKET
					RCHEN08	2016/03/08	DOCUMENT NUMBER	DOC TYPE	DOC PART SHEET NUMBER
					DRAFT WHERE APPLICABLE MUST REMAIN WITHIN DIMENSIONS	THIRD ANGLE PROJECTION	1000152200	PSD	ASY 7 OF 8

REV	DATE	DESCRIPTION
A	2015/03/10	INITIAL RELEASE
B	2015/11/02	<p>SHEET 1: A20: REMOVED INCH UNIT IN NOTE 7. C15: REMOVED "TESTING PENDING" IN NOTE 1. L14: REMOVED "SEE TABLE ON SHEET 3 & 4".</p> <p>SHEET 2: H09: ADDED DIM "B" (SEE SHEET 3&4). F09: CHANGED DIM FROM 3.8 TYP TO 3.7 TYP. H07: ADDED "CENTER LINE OF LED".</p> <p>SHEET 3: H16~G16: ADDED DIM "B" 61.10 REF INTO CHARTS. E15~A15: ADDED DIM "B" 61.10 REF INTO CHARTS.</p> <p>SHEET 4: H16~G16: ADDED DIM "B" 61.10 REF INTO CHARTS. E15~A16: ADDED DIM "B" 61.10 REF INTO CHARTS.</p> <p>SHEET 5: G10: CORRECTED TYPO FROM 12.77 TO 12.79.</p> <p>SHEET 6: F07: CHANGED DIM POSITION FROM 13.49 TO 12.79.</p>
C	2016/03/02	<p>REMASTERED FROM SD-100015-2200 REV_B TO 1000152200 PSD IN NX</p> <p>SHEET 1: E11: ADDED DIMENSION 9.66 REF. A19: CHANGED MINIMUM PCB THICKNESS FOR BELLY TO BELLY FROM 3.00 TO 2.70mm.</p> <p>SHEET 5: C13: ADDED NOTE "HOLES FOR OPTIONAL REAR LEGS."</p> <p>SHEET 7: C02 AND C12: CORRECTED TYPO FROM 9.78 TO 9.76mm.</p>
C1	2016/03/09	CORRECTED DOC TYPE FROM RSD TO SD.

QUALITY SYMBOLS	THIS DRAWING CONTAINS INFORMATION THAT IS PROPRIETARY TO MOLEX ELECTRONIC TECHNOLOGIES, LLC AND SHOULD NOT BE USED WITHOUT WRITTEN PERMISSION			
= 0	SEE REVISION TABLE EC NO: 103404 DRWN: LLU20 CHKD: RCHE08 REV APPR: RCHE08 2016/03/09 2016/03/17 2016/03/17	GENERAL TOLERANCES (UNLESS SPECIFIED) DIMENSION UNITS: mm SCALE: 1:1 DRWN BY: LLU20 DATE: 2016/02/16 CHKD BY: LLU20 DATE: 2016/03/07 APPR BY: RCHE08 DATE: 2016/03/08 DRAWING SIZE: D THIRD ANGLE PROJECTION:		
= 0		ANGULAR TOL \pm 1.0 °		
= 0		4 PLACES \pm		
= 0		3 PLACES \pm		
= 0		2 PLACES \pm 0.13		
= 0		1 PLACE \pm 0.25		
= 0		0 PLACES \pm		
= 0		DRAFT WHERE APPLICABLE MUST REMAIN WITHIN DIMENSIONS		
= 0				
= 0				
RELEASE STATUS	P1	RELEASE DATE	2016/03/17 19:56:10	 ZQSFP+ 1X2 GANGED CAGE PRODUCT CUSTOMER DRAWING SERIES: 100015 MATERIAL NUMBER: 1000152200 CUSTOMER: GENERAL MARKET DOCUMENT NUMBER: 1000152200 DOC TYPE: PSD DOC PART: ASY SHEET NUMBER: 8 OF 8