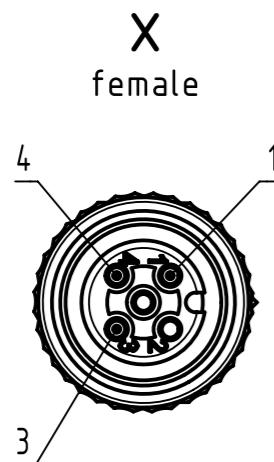
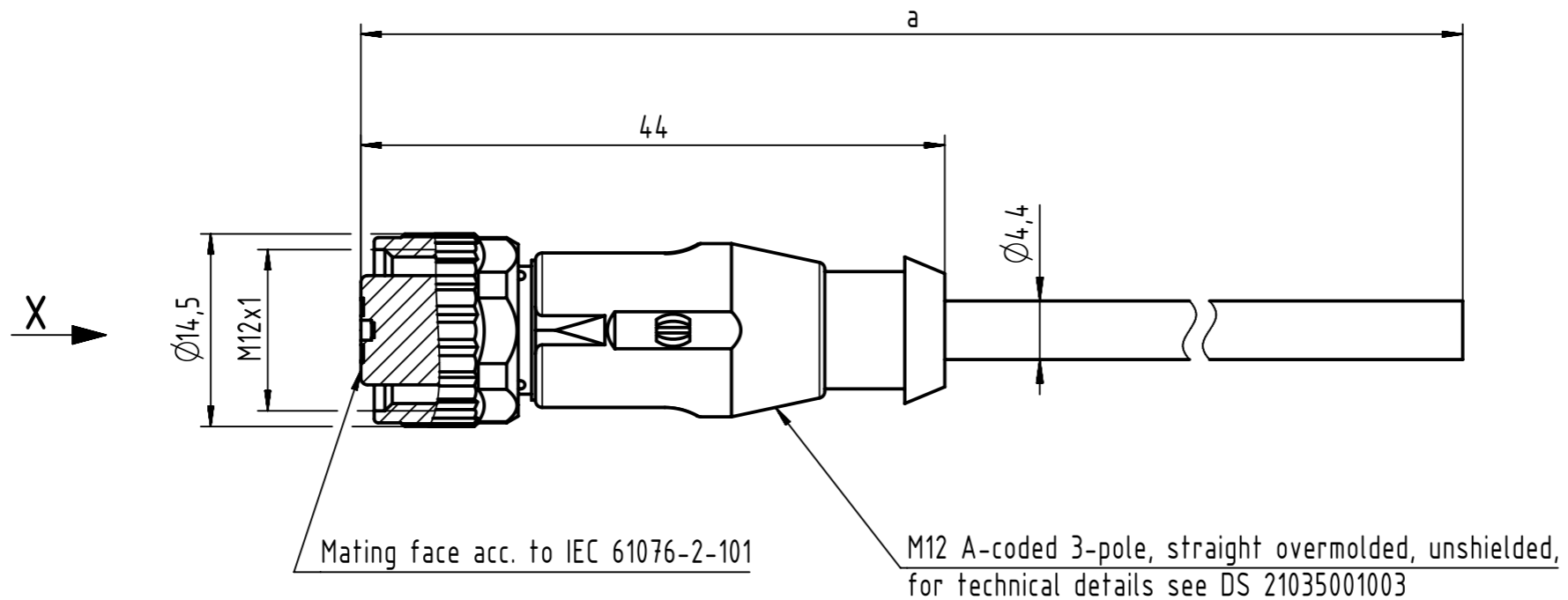


Connector Location A

Connector Location B

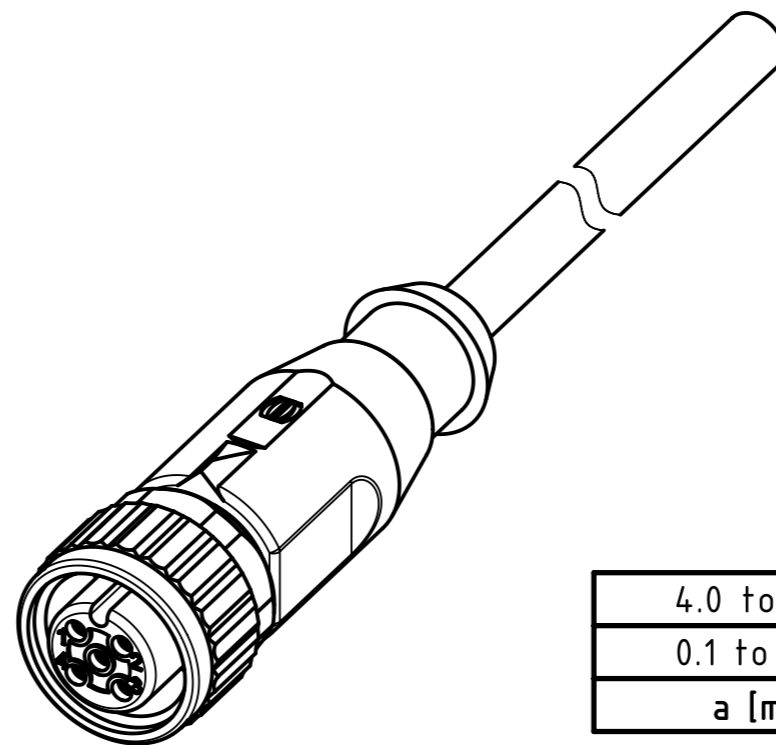


E500416



Loading-Plan:

- 1 brown
- 2 blue
- 3 black
- 4



- Protection level: IP67
- Temperature range: -25°C ... +80°C

length in "1m" step	40	XXX=40
	39	XXX=39
	.	.
	12	XXX=120
	11	XXX=110
length in "0.1m" step	10	XXX=100
	9.9	XXX=099
	9.8	XXX=098
	.	.
	0.4	XXX=004
	0.3	XXX=003
	0.2	XXX=002
	0.1	XXX=001
Step	a [m]	XXX

4.0 to 40	±1%
0.1 to 3.9	+0.04
a [m]	Tolerance

PUR black, 3x0.34mm ²	21348400390XXX
Type of cable	Part no.

	All rights reserved		Created by COSTEA		Inspected by MUNTEANV		Standardisation MUNTEANV		Date 2019-01-14		State Final Release	
	Department HCS - RO		Title M12 Cable Assembly A-cod st/- f/-		Muntean		Muntean		Doc-Key / ECM-Nr. 100806420/UGD/009/A 500000145014		Rev. A	
HARTING Customised Solutions		Type TB		Number 21348500390XXX						Page 1/1		
D-32339 Espelkamp												