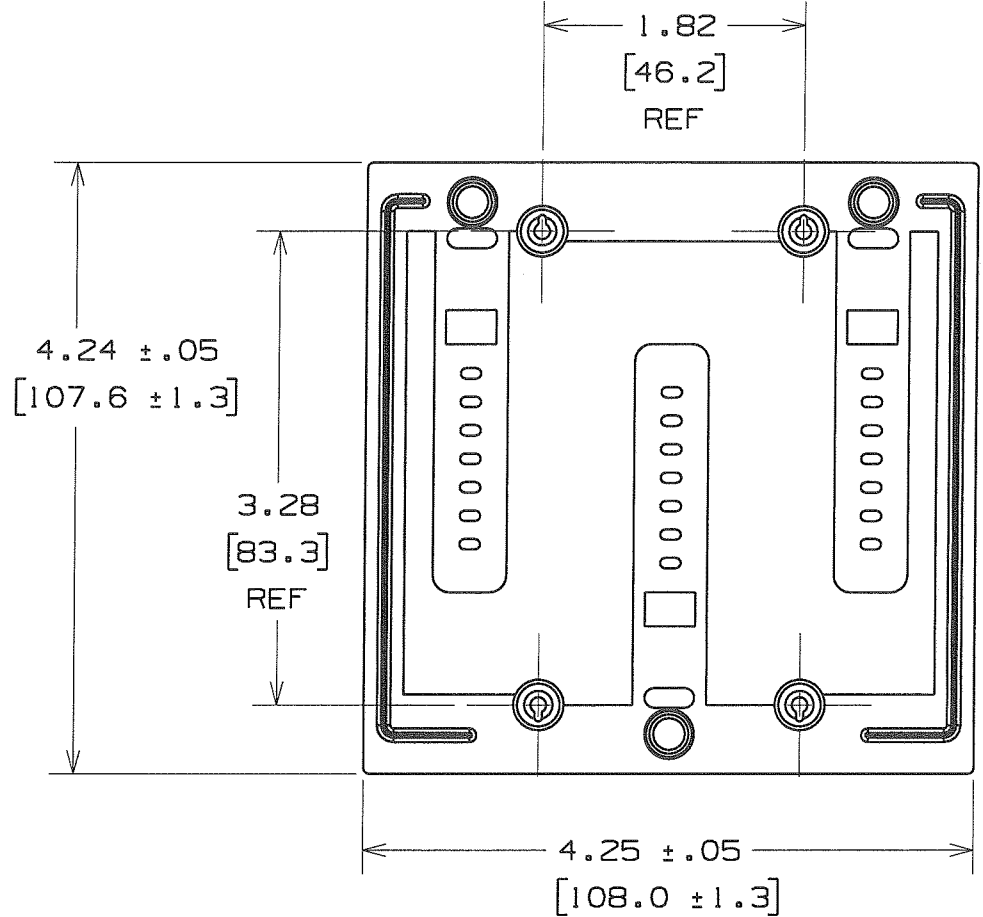
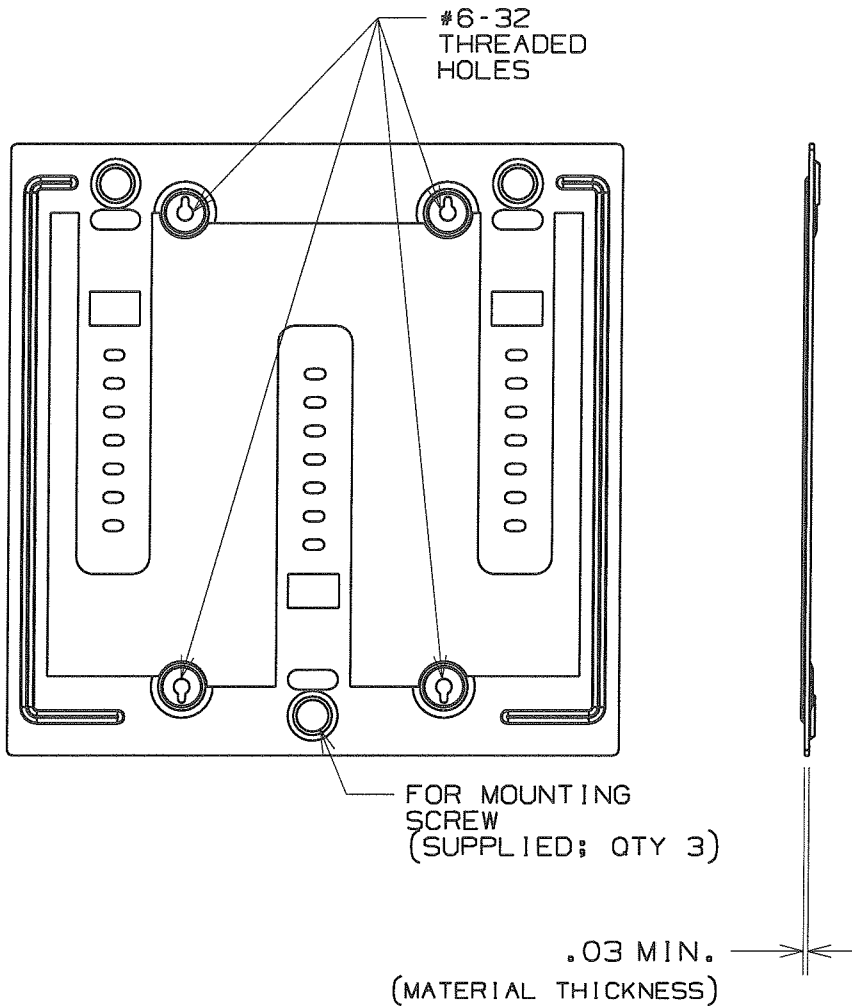


THIS COPY IS PROVIDED ON A RESTRICTED BASIS AND IS NOT TO BE USED IN ANY WAY DETRIMENTAL TO THE INTERESTS OF PANDUIT CORP.



- NOTE:
1. SEE CURRENT PRICE SHEET FOR PART NUMBER SUFFIX DESIGNATION FOR PACKAGE SIZE.
 2. SUITABLE FOR WALL MATERIAL THICKNESS OF 1/2" TO 1-1/2".

DIMENSIONS IN BRACKETS ARE METRIC [mm]	
CAD FILENAME/LAYERS G03668D1_DC_GB3668D1/02A	
PANDUIT CORP. TINLEY PARK, ILLINOIS	
LV-W-2G DOUBLE GANG LOW VOLTAGE WALL PLATE	
UNLESS OTHERWISE SPECIFIED, DIMENSIONAL TOLERANCES ARE: (.X) ±0.05 (1.3) (.XXX) ±0.010 (0.25) (.XX) ±0.02 (0.5) ANGLES ±5°	UNLESS OTHERWISE SPECIFIED, ALL DIMENSIONS ARE GIVEN IN INCHES, THIRD ANGLE PROJECTION.
DRAWN BY ARHA	MAT'L: PRE - GALVANIZED STEEL
DATE 09-17-09	SCALE 3:4
CHK'D KLW	DRAWING NO. GB3668D1
	DWG SIZE A

REV	DATE	BY	CHK	DESCRIPTION	ECN	R	CUST	SUP
O2A	09/17/09	ARHA	<i>AK</i>	INITIAL RELEASE	GB3668D1	O2A	<i>KLW</i>	