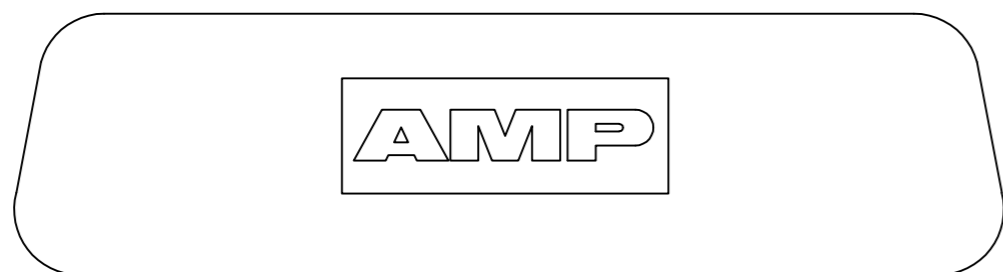
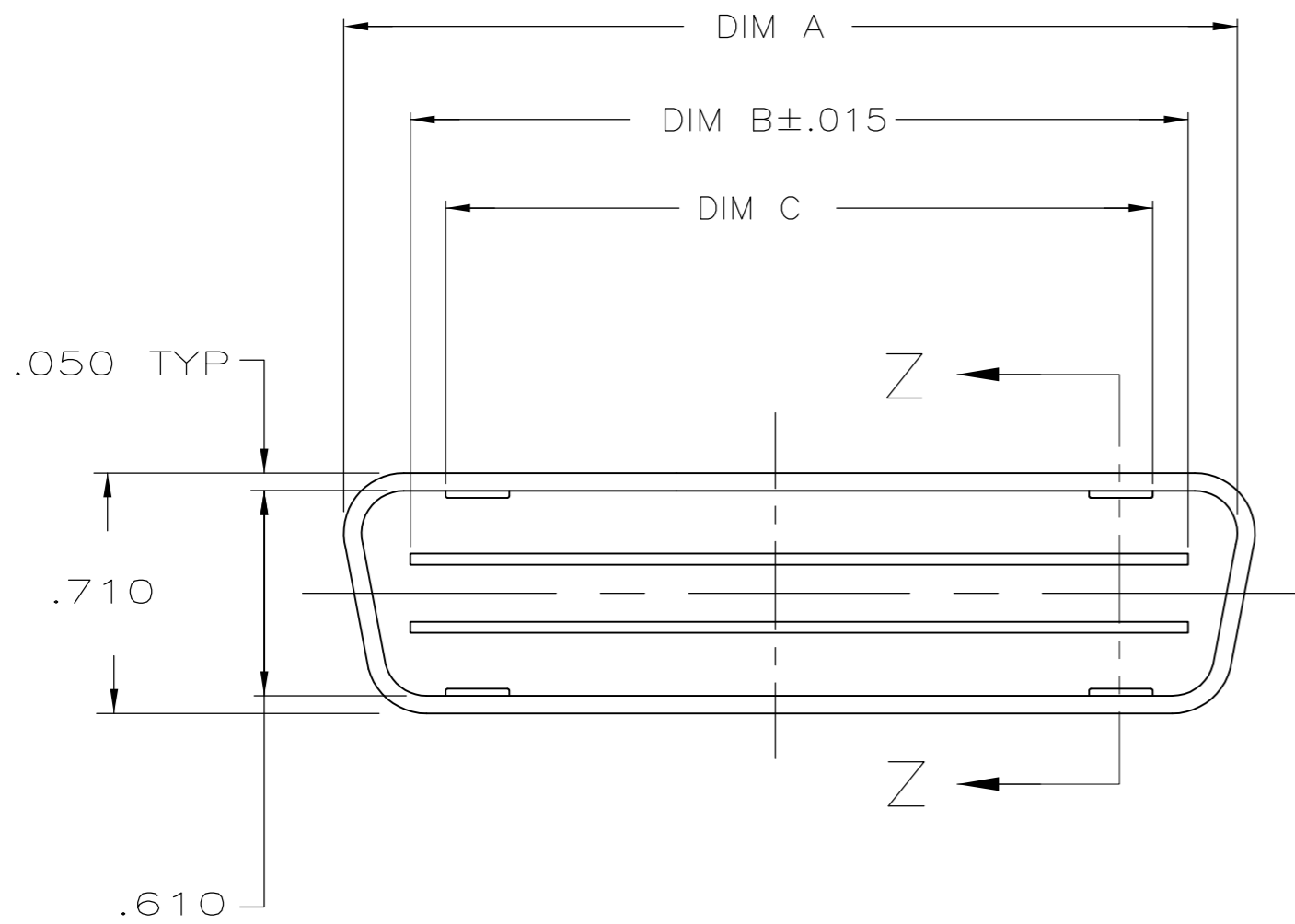
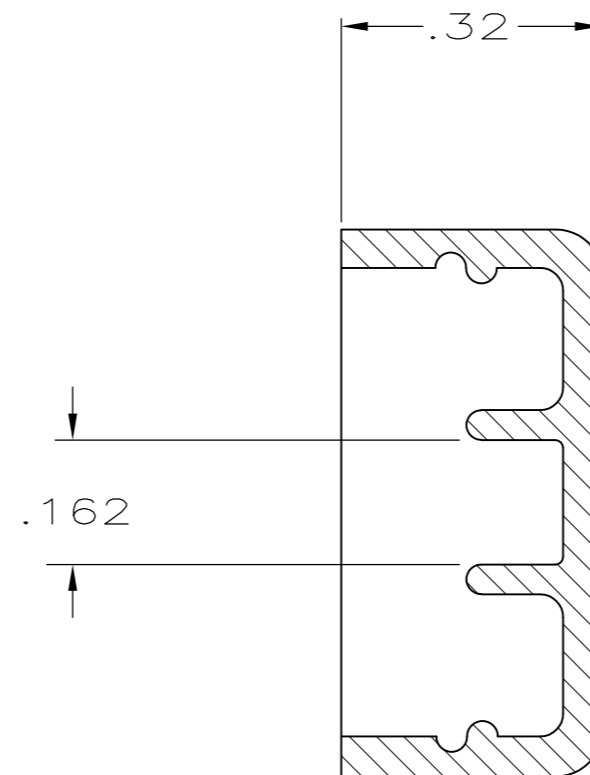


THIS DRAWING IS UNPUBLISHED. RELEASED FOR PUBLICATION
 © COPYRIGHT BY TYCO ELECTRONICS CORPORATION. ALL RIGHTS RESERVED.

LOC	DIST	REVISIONS			
P	LTR	DESCRIPTION	DATE	DWN	APVD
AA	40				
		K REVISED PER ECN 0513-0621-04	07MAR06	JDP	WLM
		K1 REV PER ECO-09-021826	02AUG09	KK	AEG



- ALL DIMENSIONS SHOWN ARE FOR REFERENCE ONLY UNLESS OTHERWISE SPECIFIED.
- OBsolete PARTS: OBsolete CIS STREAMLINING PER D.RENAUD/D.SINISI



SECTION Z-Z
SCALE 4:1

2	OBsolete	.662	1.160	1.260	14	229968-5
2	OBsolete	1.087	1.585	1.685	24	229968-4
	OBsolete	1.597	2.090	2.190	36	229968-3
		2.787	3.285	3.385	64	229968-2
		2.192	2.715	2.815	50	229968-1
		DIM. C	DIM. B	DIM. A	POSITION	PART NO.

THIS DRAWING IS A CONTROLLED DOCUMENT.		DWN 15 MAR 94 GP MACARTHUR	Tyco Electronics Corporation Harrisburg, PA 17105-3608	
DIMENSIONS: mm [INCHES]		CHK 18 MAR 94 N. JONES	NAME COVER, DUST, PLUG, CHAMP	
TOLERANCES UNLESS OTHERWISE SPECIFIED:		APVD 21 MAR 94 J. TRAMMEL	PRODUCT SPEC	
0 PLC ± -		APPLICATION SPEC		
1 PLC ± -		WEIGHT -		
2 PLC ± .02		SIZE A2		
3 PLC ± .005		CAGE CODE 00779		
4 PLC ± -		DRAWING NO C=229968		
ANGLES ± -		RESTRICTED TO -		
MATERIAL THERMOPLASTIC(BLUE)		SCALE 2:1		
FINISH -		SHEET 1 of 1		
CUSTOMER DRAWING		REV K1		