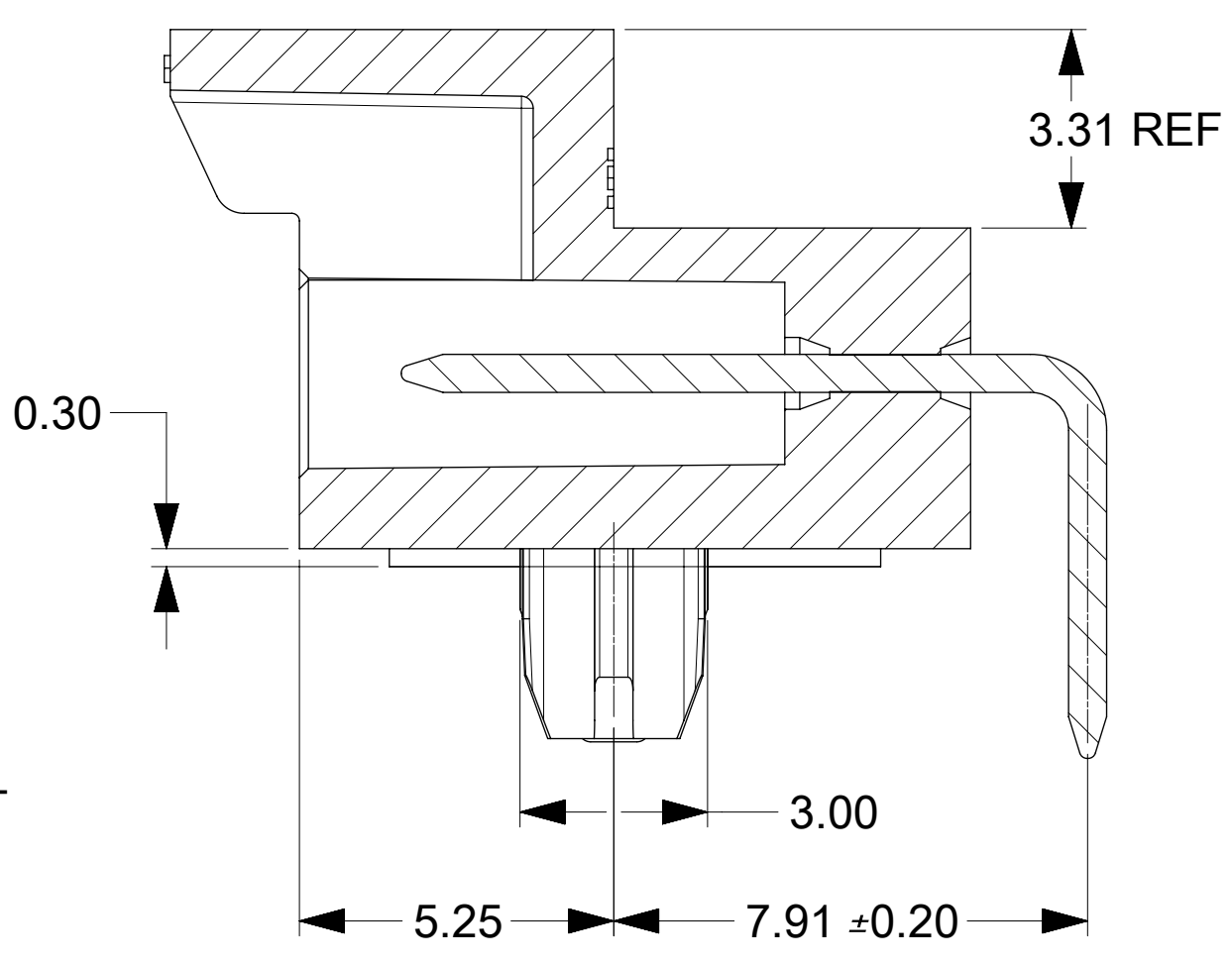
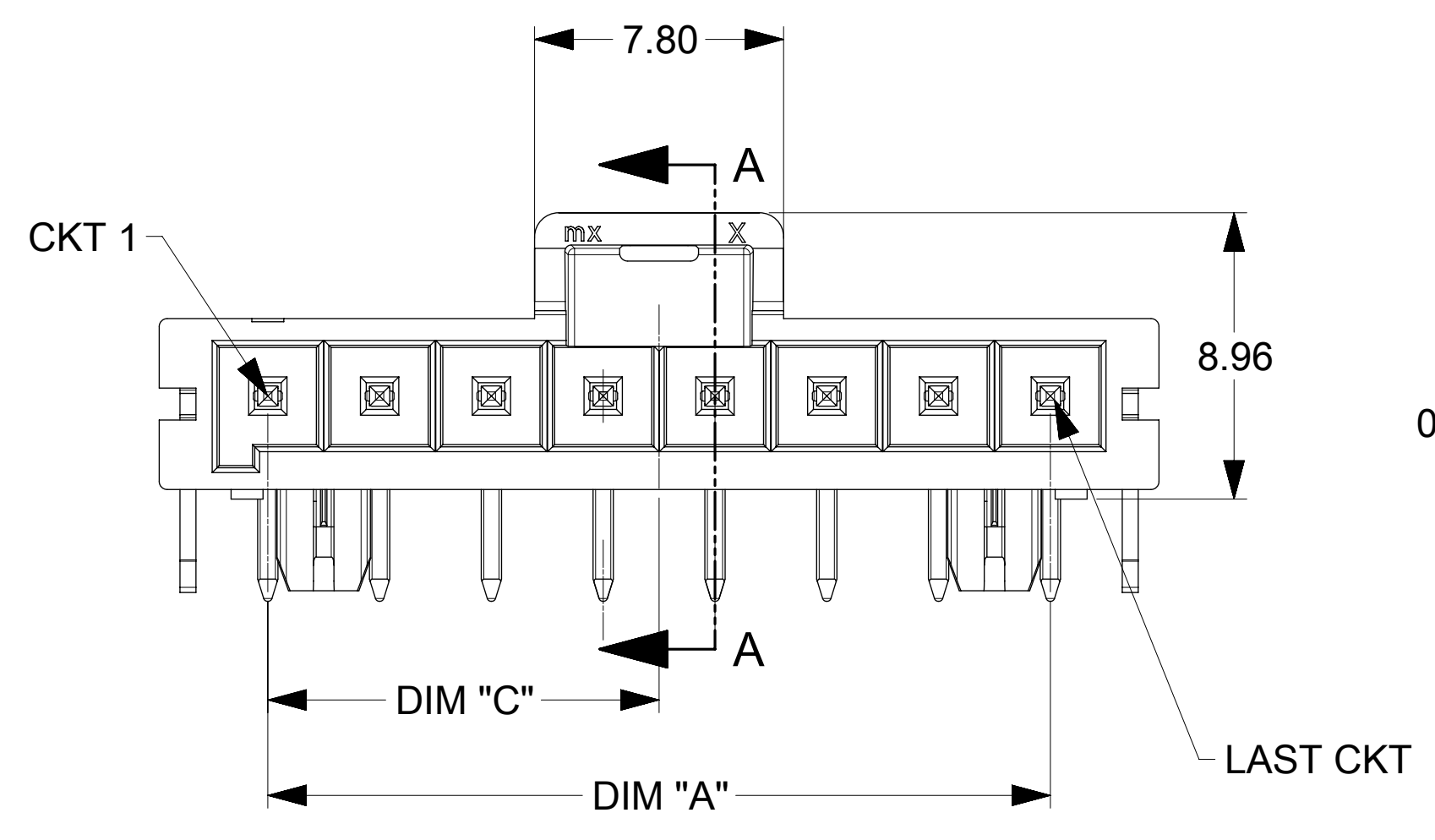
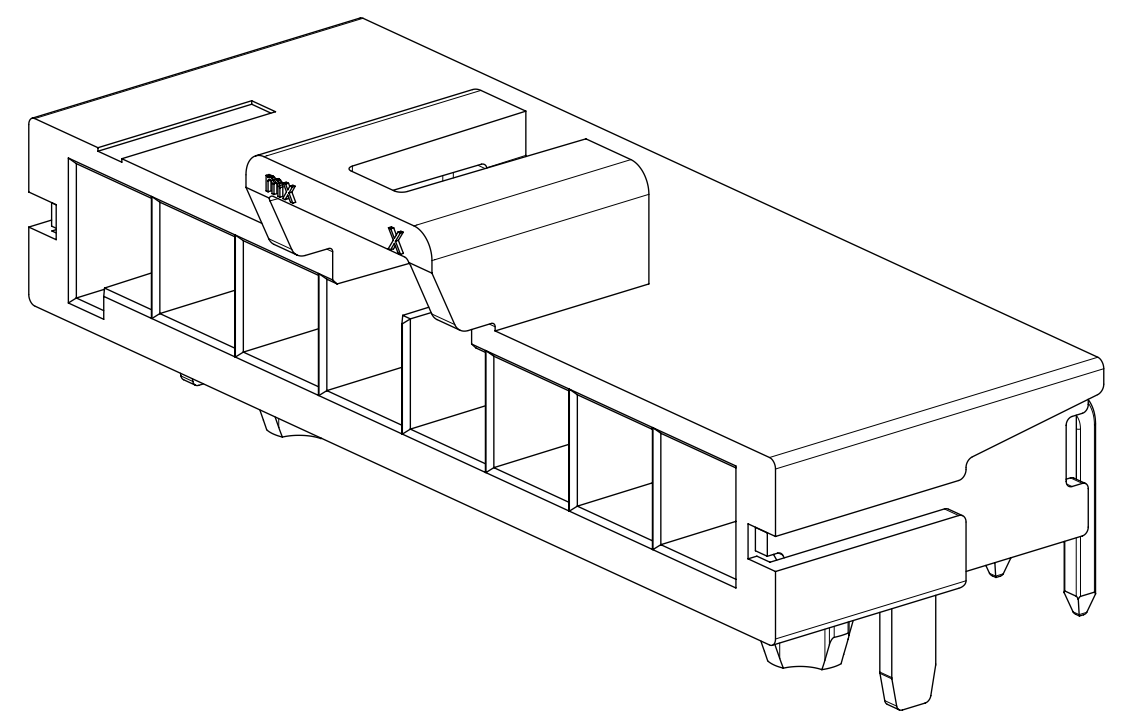
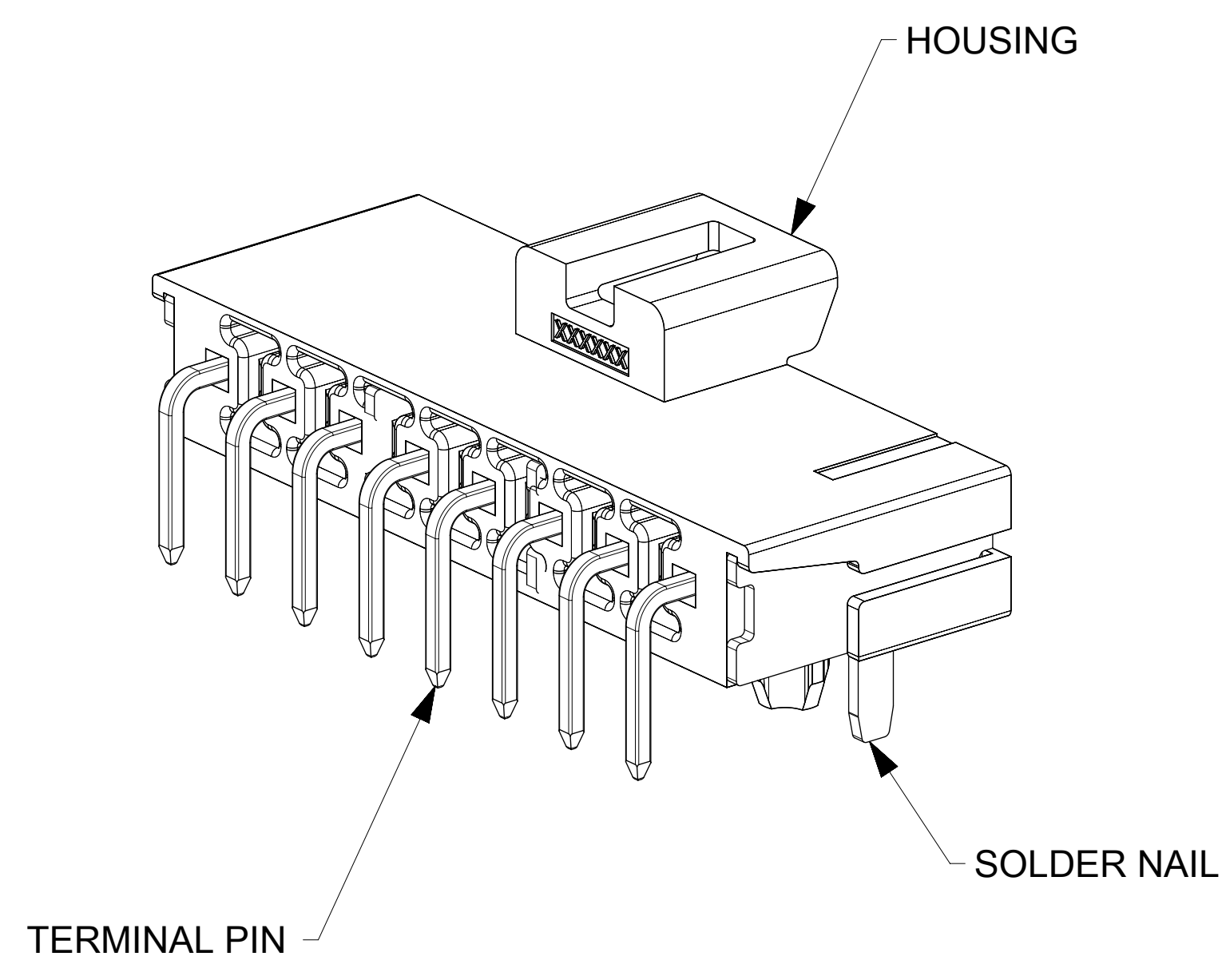
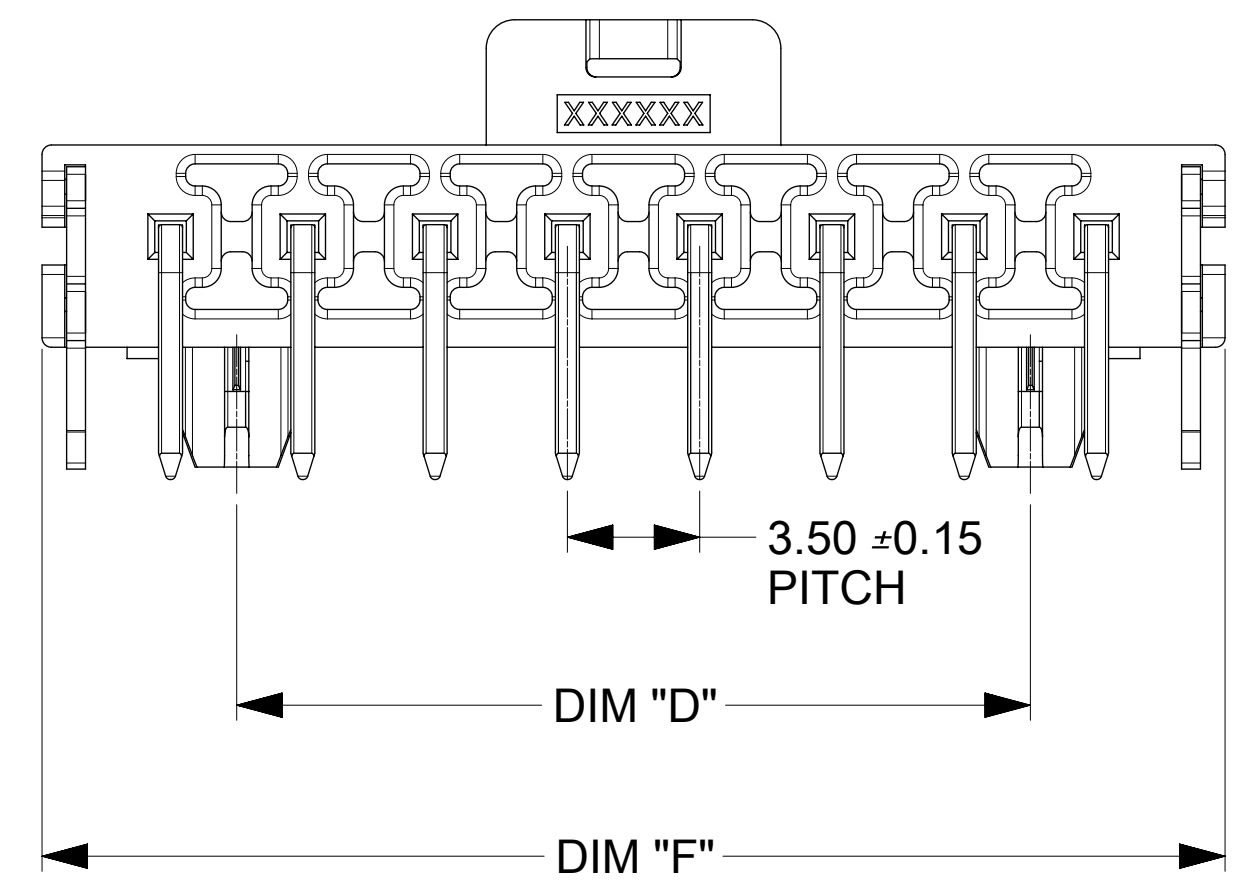


DATE CODE LOCATION  
SEE NOTE 6

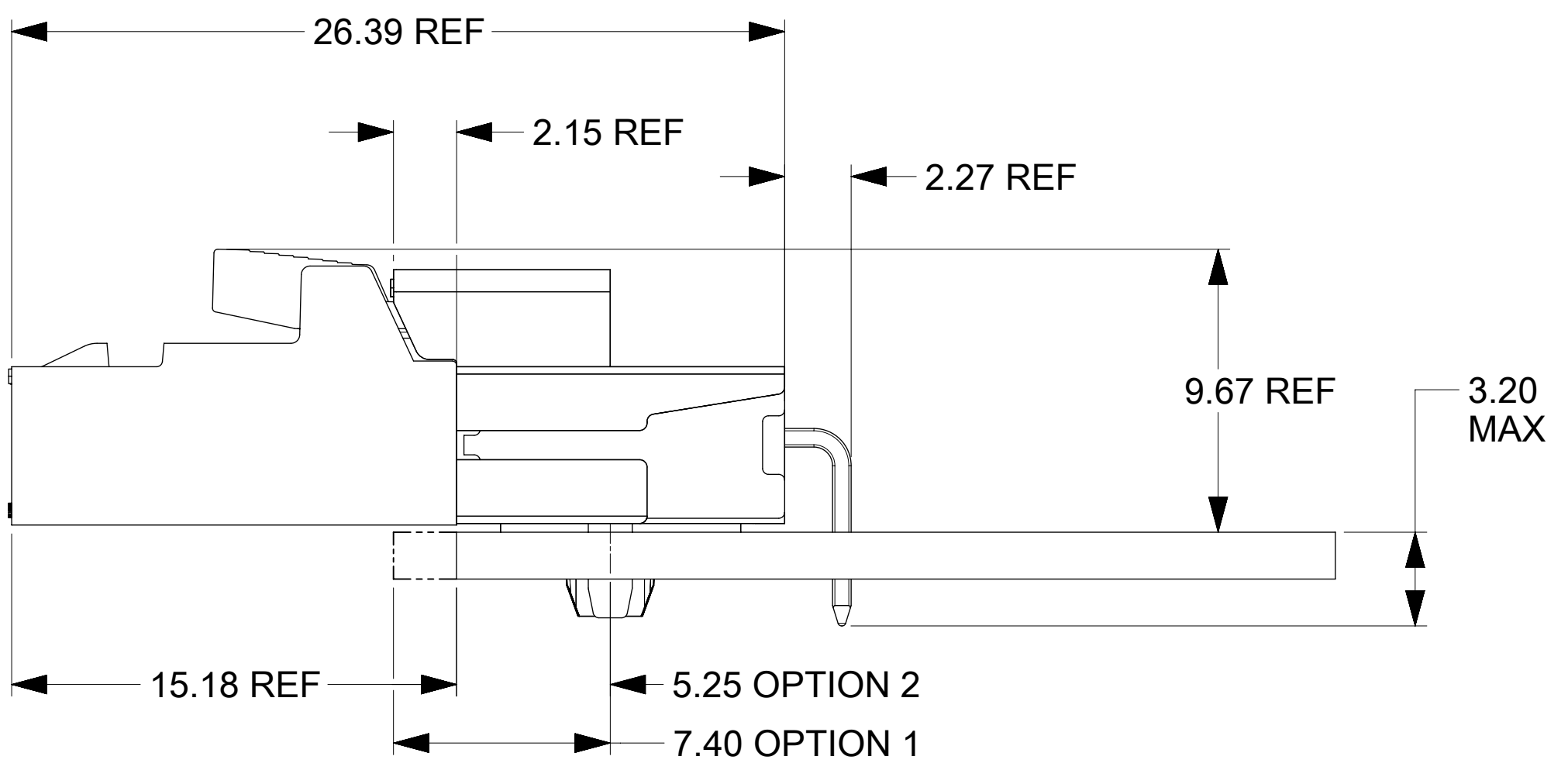


SECTION A-A  
SCALE 8:1



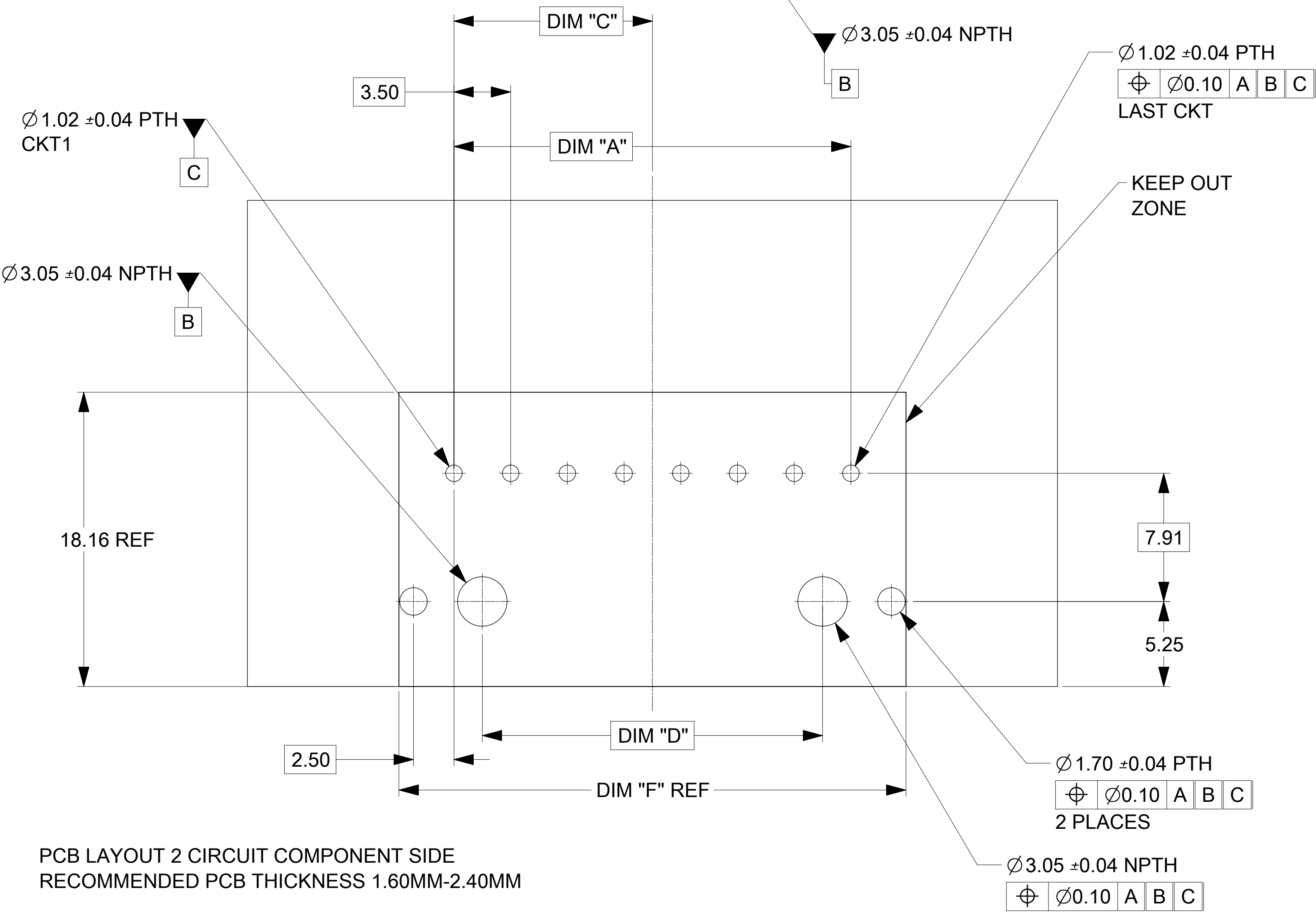
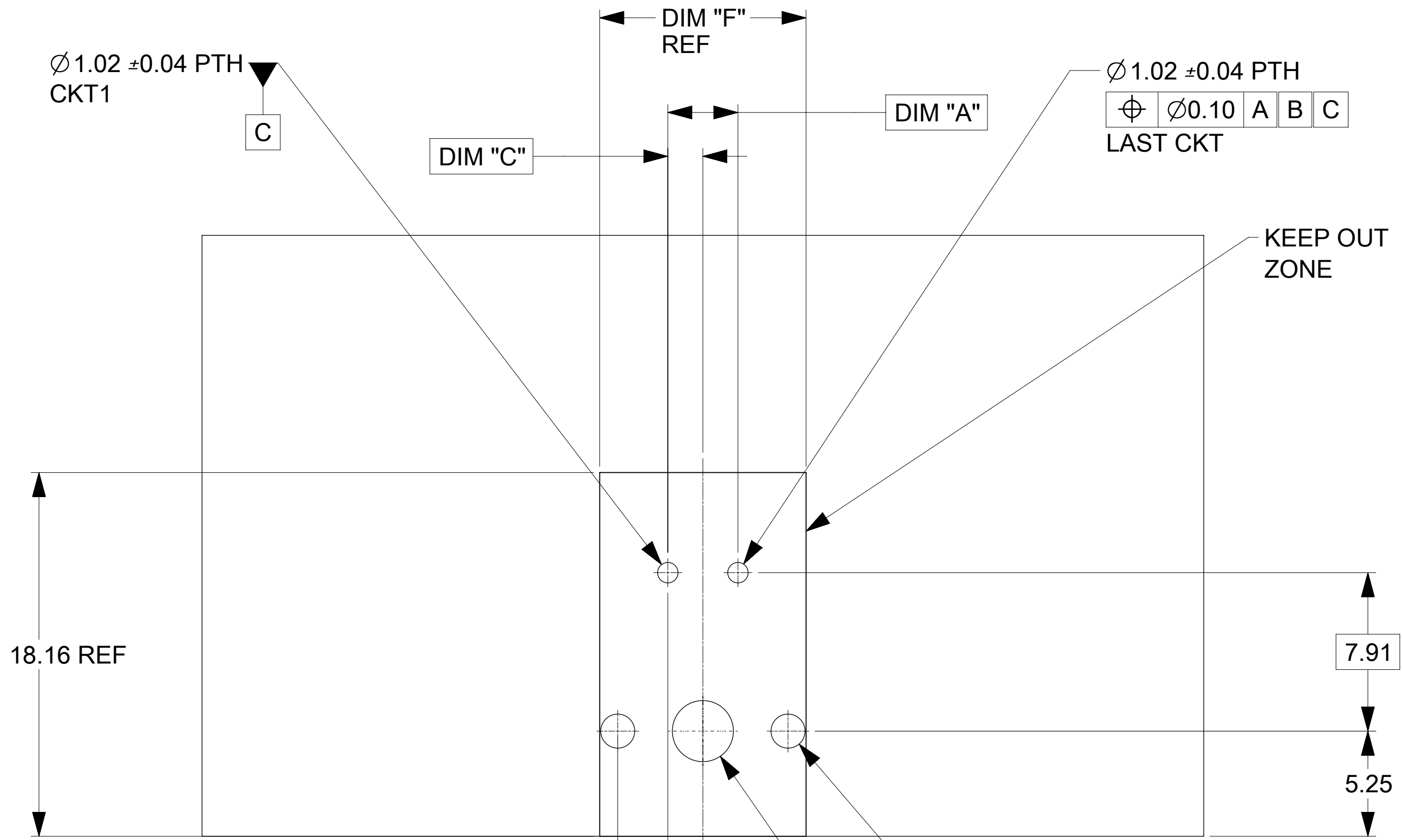
NOTES:

- MATERIAL :  
HOUSING:  
OPTION 1: LCP BLACK, UL94V-0  
OPTION 2: LCP NATURAL, UL94V-0  
TERMINAL: COPPER ALLOY
- PLATING FINISH:  
OPTION 1 - 1.5µm(60µin)-2.5µm(100µin) REFLOW MATTE TIN OVER  
1.25µm(50µin)-2.5µm(100µin) NICKEL OVERALL  
OPTION 2 - 0.35µm(15µin) GOLD CONTACT AREA,  
1.5µm(60µin)-2.5µm(100µin) MATTE TIN OVERALL  
1.25µm(50µin)-2.5µm(100µin) NICKEL OVERALL  
OPTION 3 - 0.70µm(30µin) GOLD CONTACT AREA,  
1.5µm(60µin)-2.5µm(100µin) MATTE TIN OVERALL  
1.25µm(50µin)-2.5µm(100µin) NICKEL OVERALL
- PARTS TO BE PACKAGED PER PK-172298-9001
- PRODUCT SPECIFICATION PS-172323-0001
- PART MATES WITH MOLEX RECEPTACLE HOUSING 172256 AND 172260
- PART CONFORMS TO CLASS "C" REQUIREMENTS OF MOLEX COSMETIC SPECIFICATION.  
PS-45499-002 WITH 0.13 MM MAXIMUM FLASH ALLOWED IN CORE HOLES AND FRONT SURFACE.
- LASER MARK CODE IN A FORMAT DDD
- PARTS ARE NOT DESIGNED FOR CURRENT SHARING.



OPTION 1: LATCH FLUSH WITH PCB EDGE  
OPTION 2: HOUSING BODY FLUSH WITH PCB EDGE

SYMBOLS	THIS DRAWING CONTAINS INFORMATION THAT IS PROPRIETARY TO MOLEX ELECTRONIC TECHNOLOGIES, LLC AND SHOULD NOT BE USED WITHOUT WRITTEN PERMISSION		
	DIMENSION UNITS	SCALE	CURRENT REV DESC:
▽ = 0	mm	5:1	
▽ = 0	GENERAL TOLERANCES (UNLESS SPECIFIED)		
▽ = 0	ANGULAR TOL	± 0.5°	
▽ = 0	4 PLACES	±	EC NO: 173780
▽ = 0	3 PLACES	±	DRWN: SCHEN76 2018/02/26
▽ = 0	2 PLACES	± 0.13	CHK'D: AYIN 2018/04/02
▽ = 0	1 PLACE	± 0.25	APPR: AYIN 2018/04/02
□ = 0	0 PLACES	±	INITIAL REVISION:
■ = 0	DRAFT WHERE APPLICABLE MUST REMAIN WITHIN DIMENSIONS		DRWN: PPEREZ03 2016/02/22
▽ = 0	THIRD ANGLE PROJECTION		APPR: RHODGE 2016/06/21
	DRAWING SERIES		172310
DOCUMENT NUMBER		DOC TYPE	DOC PART
1723102000		PSD	000
REVISION		B1	
MATERIAL NUMBER		CUSTOMER	
SHEET NUMBER		1 OF 3	



PCB LAYOUT 2 CIRCUIT COMPONENT SIDE  
RECOMMENDED PCB THICKNESS 1.60MM-2.40MM

TIN PLATING							
PART NO.	COLOR	CIRCUIT SIZE	KEY OPTION	DIM A	DIM F	DIM C	DIM D
172310-3102	BLACK	2	KEY A	3.50	10.30	1.75	0.00
172310-3103	BLACK	3	KEY A	7.00	13.80	3.50	0.00
172310-3104	BLACK	4	KEY A	10.50	17.30	5.25	7.00
172310-3105	BLACK	5	KEY A	14.00	20.80	7.00	10.50
172310-3106	BLACK	6	KEY A	17.50	24.30	8.75	14.00
172310-3107	BLACK	7	KEY A	21.00	27.80	10.50	17.50
172310-3108	BLACK	8	KEY A	24.50	31.30	12.25	21.00
172310-4102	NATURAL	2	KEY B	3.50	10.30	1.75	0.00
172310-4103	NATURAL	3	KEY B	7.00	13.80	3.50	0.00
172310-4104	NATURAL	4	KEY B	10.50	17.30	5.25	7.00
172310-4105	NATURAL	5	KEY B	14.00	20.80	7.00	10.50
172310-4106	NATURAL	6	KEY B	17.50	24.30	8.75	14.00
172310-4107	NATURAL	7	KEY B	21.00	27.80	10.50	17.50
172310-4108	NATURAL	8	KEY B	24.50	31.30	12.25	21.00

15 MICROINCH GOLD PLATING							
PART NO.	COLOR	CIRCUIT SIZE	KEY OPTION	DIM A	DIM F	DIM C	DIM D
172310-3202	BLACK	2	KEY A	3.50	10.30	1.75	0.00
172310-3203	BLACK	3	KEY A	7.00	13.80	3.50	0.00
172310-3204	BLACK	4	KEY A	10.50	17.30	5.25	7.00
172310-3205	BLACK	5	KEY A	14.00	20.80	7.00	10.50
172310-3206	BLACK	6	KEY A	17.50	24.30	8.75	14.00
172310-3207	BLACK	7	KEY A	21.00	27.80	10.50	17.50
172310-3208	BLACK	8	KEY A	24.50	31.30	12.25	21.00
172310-4202	NATURAL	2	KEY B	3.50	10.30	1.75	0.00
172310-4203	NATURAL	3	KEY B	7.00	13.80	3.50	0.00
172310-4204	NATURAL	4	KEY B	10.50	17.30	5.25	7.00
172310-4205	NATURAL	5	KEY B	14.00	20.80	7.00	10.50
172310-4206	NATURAL	6	KEY B	17.50	24.30	8.75	14.00
172310-4207	NATURAL	7	KEY B	21.00	27.80	10.50	17.50
172310-4208	NATURAL	8	KEY B	24.50	31.30	12.25	21.00

30 MICROINCH PLATING							
PART NO.	COLOR	CIRCUIT SIZE	KEY OPTION	DIM A	DIM F	DIM C	DIM D
172310-3302	BLACK	2	KEY A	3.50	10.30	1.75	0.00
172310-3303	BLACK	3	KEY A	7.00	13.80	3.50	0.00
172310-3304	BLACK	4	KEY A	10.50	17.30	5.25	7.00
172310-3305	BLACK	5	KEY A	14.00	20.80	7.00	10.50
172310-3306	BLACK	6	KEY A	17.50	24.30	8.75	14.00
172310-3307	BLACK	7	KEY A	21.00	27.80	10.50	17.50
172310-3308	BLACK	8	KEY A	24.50	31.30	12.25	21.00
172310-4302	NATURAL	2	KEY B	3.50	10.30	1.75	0.00
172310-4303	NATURAL	3	KEY B	7.00	13.80	3.50	0.00
172310-4304	NATURAL	4	KEY B	10.50	17.30	5.25	7.00
172310-4305	NATURAL	5	KEY B	14.00	20.80	7.00	10.50
172310-4306	NATURAL	6	KEY B	17.50	24.30	8.75	14.00
172310-4307	NATURAL	7	KEY B	21.00	27.80	10.50	17.50
172310-4308	NATURAL	8	KEY B	24.50	31.30	12.25	21.00

SYMBOLS	THIS DRAWING CONTAINS INFORMATION THAT IS PROPRIETARY TO MOLEX ELECTRONIC TECHNOLOGIES, LLC AND SHOULD NOT BE USED WITHOUT WRITTEN PERMISSION		CURRENT REV DESC:				
	DIMENSION UNITS	SCALE					
▽ = 0	mm	5:1	EC NO: 173780 DRWN: SCHEN76 2018/02/26 CHK'D: AYIN 2018/04/02 APPR: AYIN 2018/04/02 INITIAL REVISION: DRWN: PPEREZ03 2016/02/22 APPR: RHODGE 2016/06/21		ULTRA-FIT SR R/A HEAD SN ASSY		
▽ = 0	GENERAL TOLERANCES (UNLESS SPECIFIED)						
▽ = 0	ANGULAR TOL	± 0.5°			PRODUCT CUSTOMER DRAWING		
▽ = 0	4 PLACES	±					
▽ = 0	3 PLACES	±			DOCUMENT NUMBER: 1723102000 DOC TYPE: PSD DOC PART: 000 REVISION: B1		
▽ = 0	2 PLACES	± 0.13					
▽ = 0	1 PLACE	± 0.25	MATERIAL NUMBER: 172310 CUSTOMER: D-SIZE				
▽ = 0	0 PLACES	±					
☒ = 0	DRAFT WHERE APPLICABLE MUST REMAIN WITHIN DIMENSIONS		THIRD ANGLE PROJECTION	DRAWING	SERIES	SHEET NUMBER	
■ = 0				D-SIZE	172310	2 OF 3	

