



Z86D9900100ZDH

OTP Programming Adapter

PUG000401-0900

Product User Guide

Overview

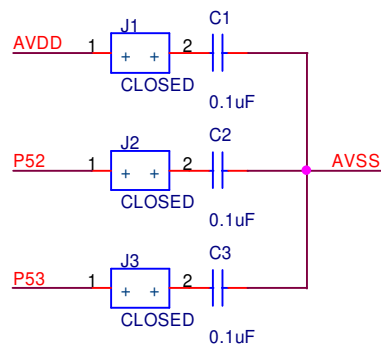
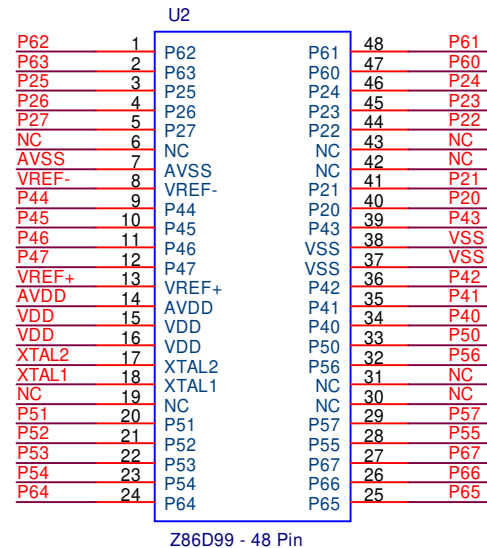
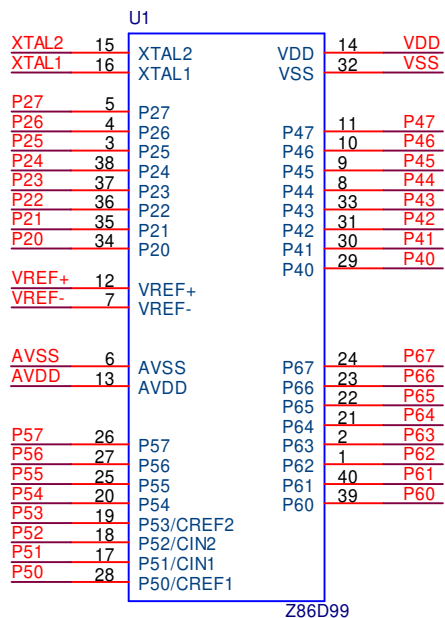
Z86D9900100ZDH is a programming adapter that converts 48-SSOP Z86D990HZ008SC into a 40-PDIP Z86D990PZ008SC pinout. It can be used as a general adapter to prototype a 48-SSOP package on a 40-PDIP footprint.

This adapter can also be used to program a 48-SSOP Z86D990HZ008SC with the 40-PDIP programming adapter (99C0716-001) on the Z86L9900100ZEM. To filter noise while programming, the on-board capacitors are connected when the three jumpers on Z86D9900100ZDH are closed.

Schematics are attached.

Document Disclaimer

© 2000 by ZiLOG, Inc. All rights reserved. Information in this publication concerning the devices, applications, or technology described is intended to suggest possible uses and may be superseded. ZiLOG, INC. DOES NOT ASSUME LIABILITY FOR OR PROVIDE A REPRESENTATION OF ACCURACY OF THE INFORMATION, DEVICES, OR TECHNOLOGY DESCRIBED IN THIS DOCUMENT. ZiLOG ALSO DOES NOT ASSUME LIABILITY FOR INTELLECTUAL PROPERTY INFRINGEMENT RELATED IN ANY MANNER TO USE OF INFORMATION, DEVICES, OR TECHNOLOGY DESCRIBED HEREIN OR OTHERWISE. Except with the express written approval ZiLOG, use of information, devices, or technology as critical components of life support systems is not authorized. No licenses or other rights are conveyed, implicitly or otherwise, by this document under any intellectual property rights.



ZiLOG, Inc.

Title
Z86D9900100ZDH

Size A Document Number

Rev A

Date: Monday, September 25, 2000 Sheet 1 of 1