

PLUGSERIES PRZ 24Vac LD 2CO

Weidmüller Interface GmbH & Co. KG
 Klingenbergstraße 16
 D-32758 Detmold
 Germany
 Fon: +49 5231 14-0
 Fax: +49 5231 14-292083
 www.weidmueller.com



High power/currents can be safely switched with the PLUGSERIES. The modular system enables conventional relays and LED indicators simply to be plugged in. Retaining and disassembly clips provide a secure mount. Pre-assembled relays with 1 or 2 changeover contacts and input voltages from 24V to 230V round of the product range. Plug-in ZQV 2.5 cross-connectors enable relay multiplexers to be set up quickly thanks to simple side-by-side mounting.

General ordering data

| | |
|------------|---|
| Order No. | 8536681001 |
| Type | PRZ 24Vac LD 2CO |
| Version | PLUGSERIES, Relays, No. of contacts: 2, CO contact, AgNi 90/10, Rated control voltage: 24 V AC $\pm 10\%$, Continuous current: 8 A, Tension clamp connection |
| GTIN (EAN) | 4032248216086 |
| Qty. | 10 pc(s). |

PLUGSERIES
PRZ 24Vac LD 2CO

Weidmüller Interface GmbH & Co. KG
 Klingenbergstraße 16
 D-32758 Detmold
 Germany
 Fon: +49 5231 14-0
 Fax: +49 5231 14-292083
 www.weidmueller.com

Technical data**Ratings**

| | | | |
|---------------------------------|--------------------------|------------|--|
| Conductor connection system | Tension clamp connection | Humidity | 40 °C / 93 % rel. humidity, no condensation |
| UL 94 flammability rating | V-0 | Relay type | SIEMENS RT 2 |
| Wire cross-section, solid, max. | 2.5 mm ² | | |

Dimensions and weights

| | | | |
|-------|---------|------------|--------|
| Width | 15.3 mm | Height | 92 mm |
| Depth | 87.5 mm | Net weight | 68.4 g |

Temperatures

| | | | |
|-----------------------|-----------------|---------------------|-----------------|
| Operating temperature | -40 °C...+50 °C | Storage temperature | -40 °C...+85 °C |
|-----------------------|-----------------|---------------------|-----------------|

Connection data

| | | | |
|--|---------------------|--|---------------------|
| Clamping range, rated connection | 2.5 mm ² | Clamping range, rated connection, min. | 0.5 mm ² |
| Clamping range, rated connection, max. | 2.5 mm ² | Stripping length, rated connection | 10 mm |
| Wire connection cross section, finely stranded, max. | 2.5 mm ² | | |

Input

| | | | |
|-------------------------------------|---------------|------------------|-----------|
| Rated control voltage | 24 V AC ±10 % | Rated current AC | 30.5 mA |
| Coil resistance | 350 Ω ±10 % | Power rating | 0.75 VA |
| Response / drop-out voltage AC coil | 18 V / 3.6 V | Status indicator | Green LED |

Output

| | | | |
|-------------------------|---|--|-------------|
| Rated switching voltage | 250 V AC | Max. switching voltage, AC | 400 V |
| Continuous current | 8 A | making current | 15 A / 4 s |
| Max. switching power | 2000 VA | Response time | 8 ms / 6 ms |
| Min. switching power | 100 mA / 5 V, 10 V / 10 mA, 24 V / 1 mA | Max. switching frequency at rated load | 0.1 Hz |

Contact specifications

| | | | |
|------------------|------------|-------------------------|--------------------------------------|
| No. of contacts | 2 | Contact design | CO contact |
| Contact material | AgNi 90/10 | Mechanical service life | 5 x 10 ⁶ switching cycles |

Insulation coordination

| | | | |
|---------------------------|-------------------------|---|--------|
| Rated voltage | 300 V AC _{eff} | Clearance and creepage distances for control side - load side | > 8 mm |
| Impulse withstand voltage | 6 kV (1.2/50 μs) | Protection degree | IP 20 |
| Pollution severity | 2 | Surge voltage category | III |

Other technical data

| | | | |
|------------------|---------------|-----------------------------|-----------|
| Version | Relay coupler | Status indicator | Green LED |
| Free-wheel diode | No | Reverse polarity protection | No |

Further details of approvals / standards

| | |
|-----------|--------------|
| Standards | DIN EN 50178 |
|-----------|--------------|

Creation date March 11, 2013 3:25:18 PM CET

**PLUGSERIES
PRZ 24Vac LD 2CO**

Weidmüller Interface GmbH & Co. KG
Klingenbergstraße 16
D-32758 Detmold
Germany
Fon: +49 5231 14-0
Fax: +49 5231 14-292083
www.weidmueller.com

Technical data**Classifications**

| | | | |
|------------|-------------|------------|-------------|
| ETIM 2.0 | EC001437 | ETIM 3.0 | EC001437 |
| UNSPSC | 30-21-19-17 | eClass 4.1 | 40-02-06-14 |
| eClass 5.1 | 27-37-16-01 | eClass 6.0 | 27-37-16-01 |
| eClass 7.0 | 27-37-16-01 | | |

Approvals

Approvals

**Downloads**

Declaration of Conformity [K217_09_09.pdf](#)
[3-D model](#)

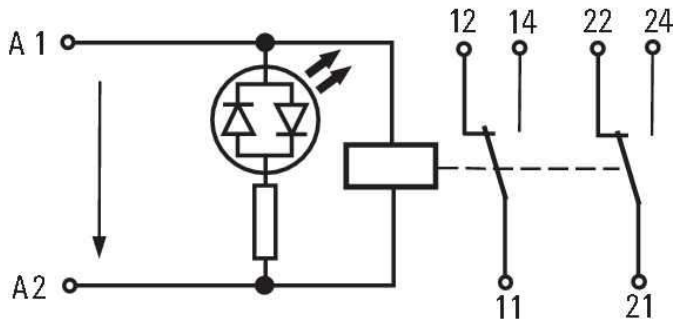
**PLUGSERIES
PRZ 24Vac LD 2CO**

Weidmüller Interface GmbH & Co. KG
 Klingenbergstraße 16
 D-32758 Detmold
 Germany
 Fon: +49 5231 14-0
 Fax: +49 5231 14-292083
 www.weidmueller.com

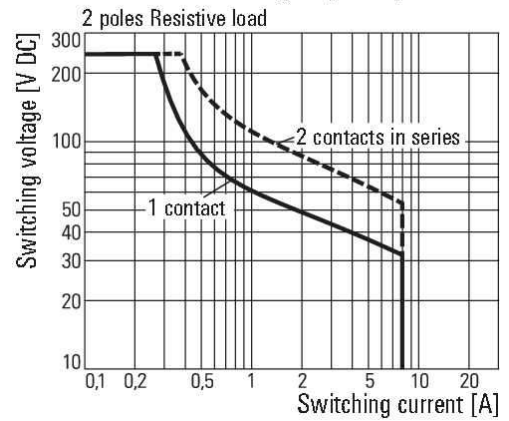
Drawings

Electric symbol

AC-Version



DC load breaking capacity



Electrical endurance

