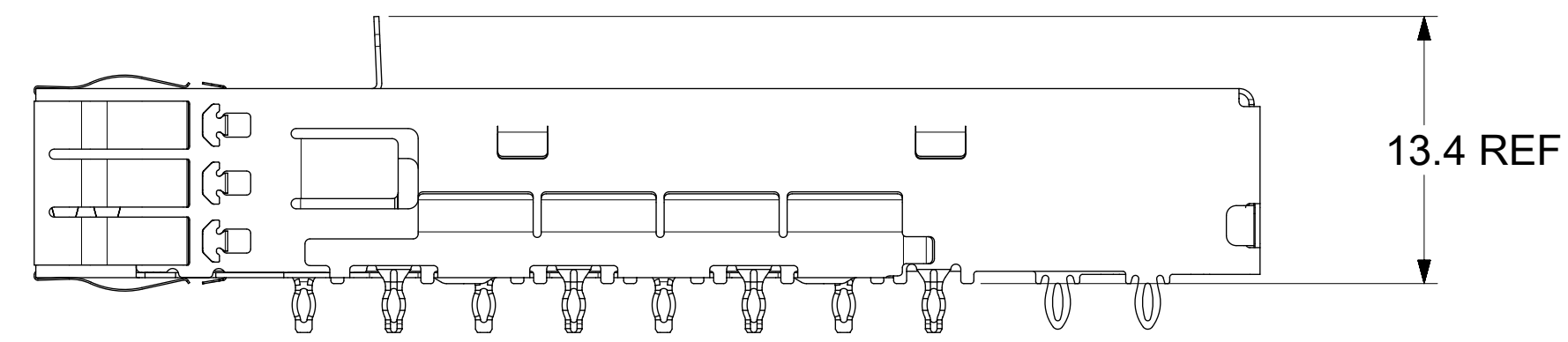
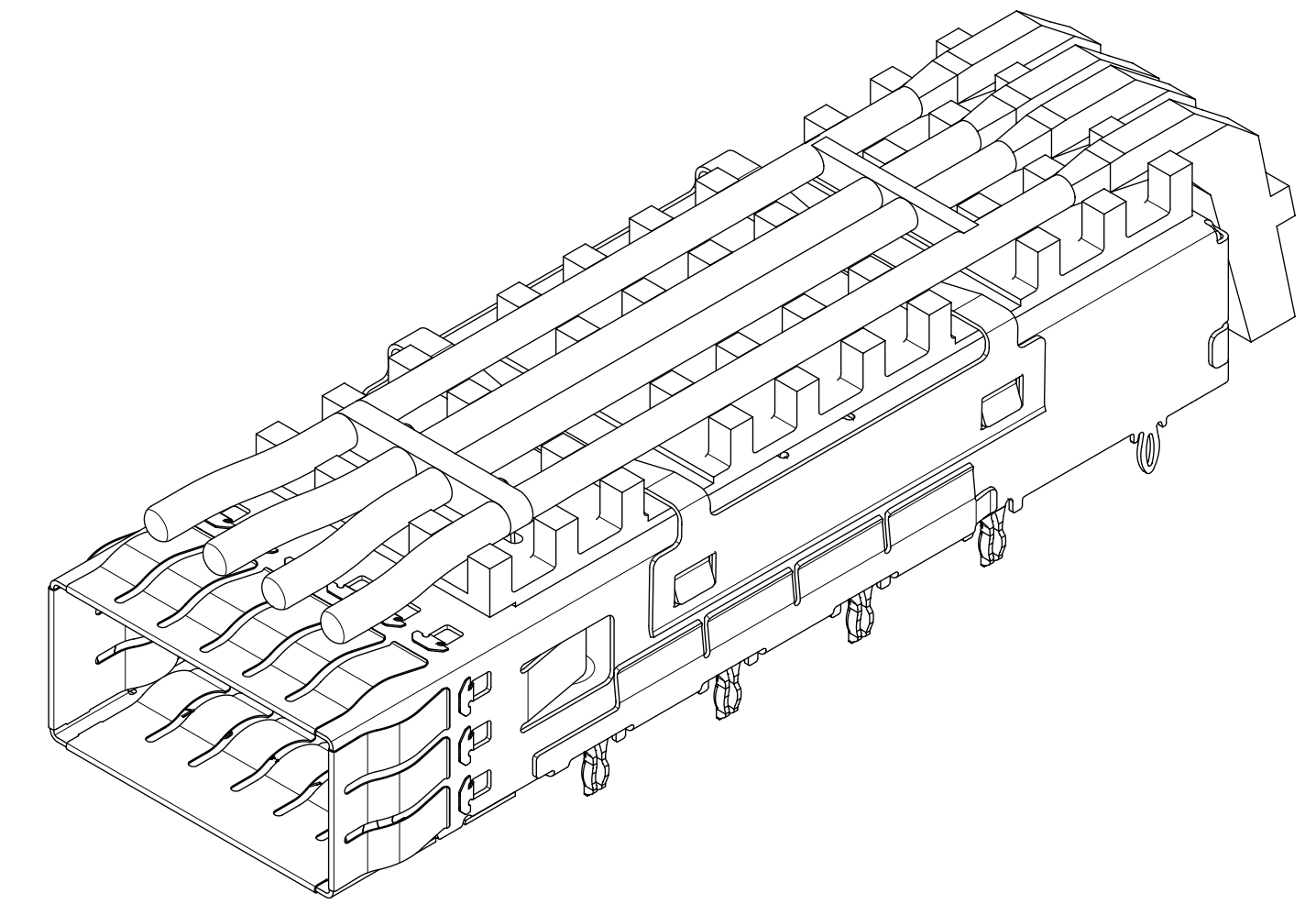
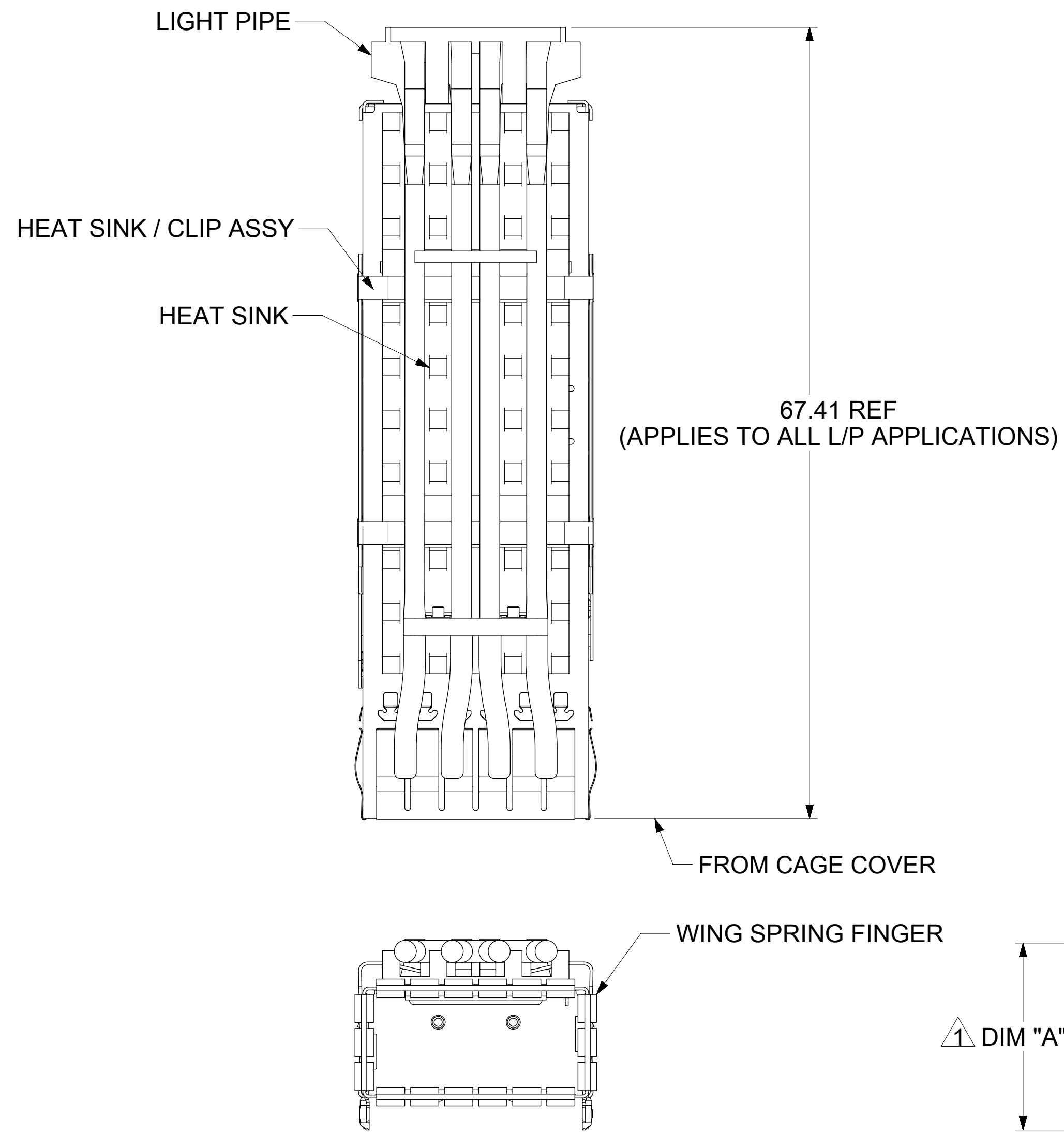


CAGE ASSEMBLY OPTIONS

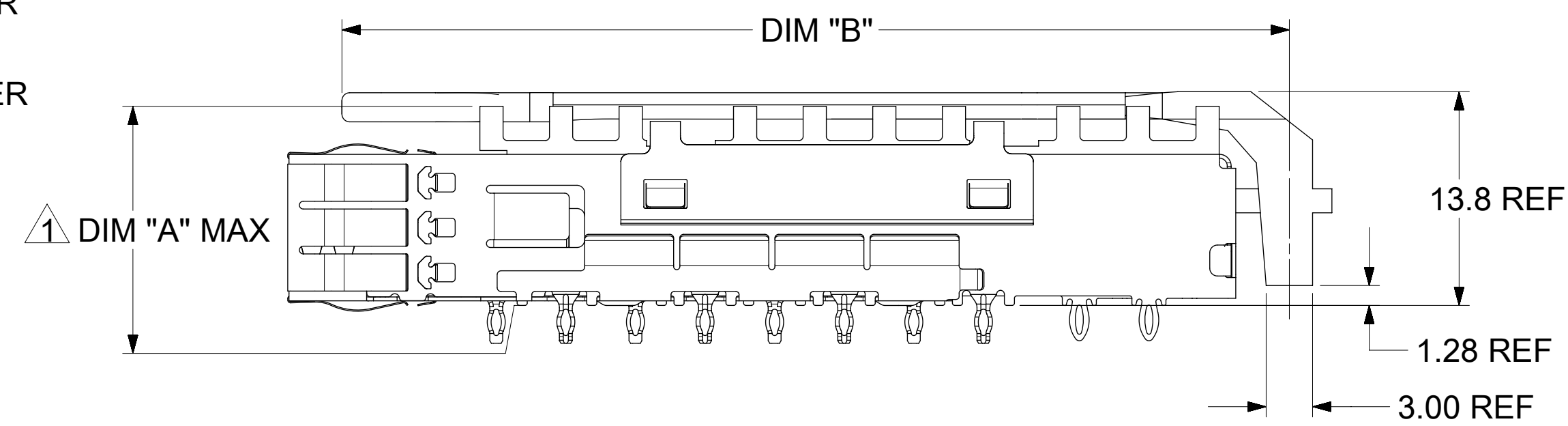
1000147446

SHOWN



HEAT SINK HEIGHT OPTIONS

OVERALL HEAT SINK HEIGHT	DIM "A"
PCI	13.7
SAN	16.0
NET	23.0



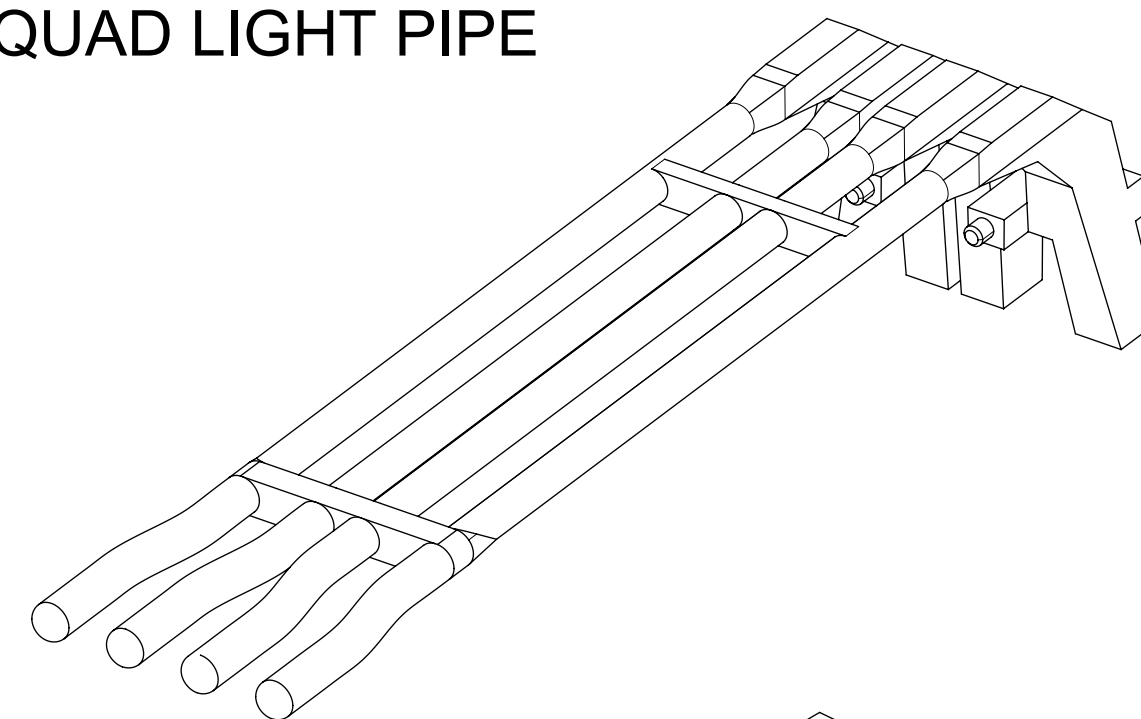
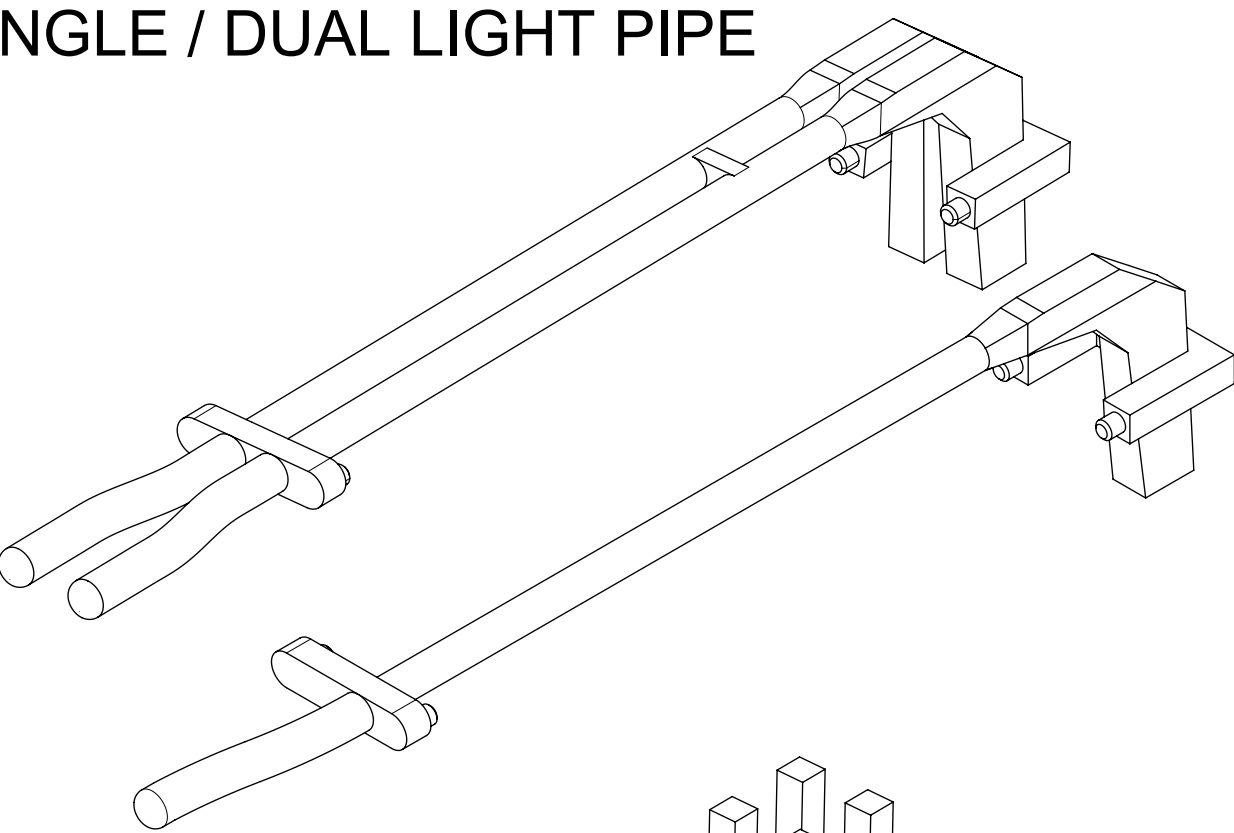
▲ HEIGHT OF HEAT SINK WITH MODULE INSERTED.
DIMENSION MAY BE LESS DUE TO MODULE AND HEAT SINK VARIATIONS

HEAT SINK AND LIGHT PIPE COMBINATIONS

HEAT SINK
USED
WITHOUT
LIGHTPIPE

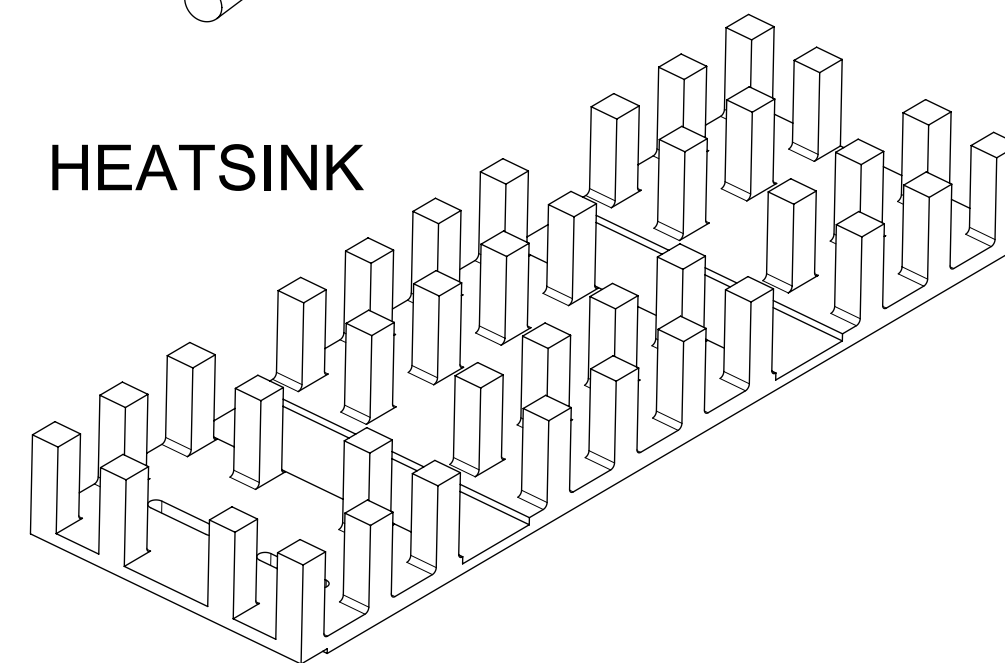
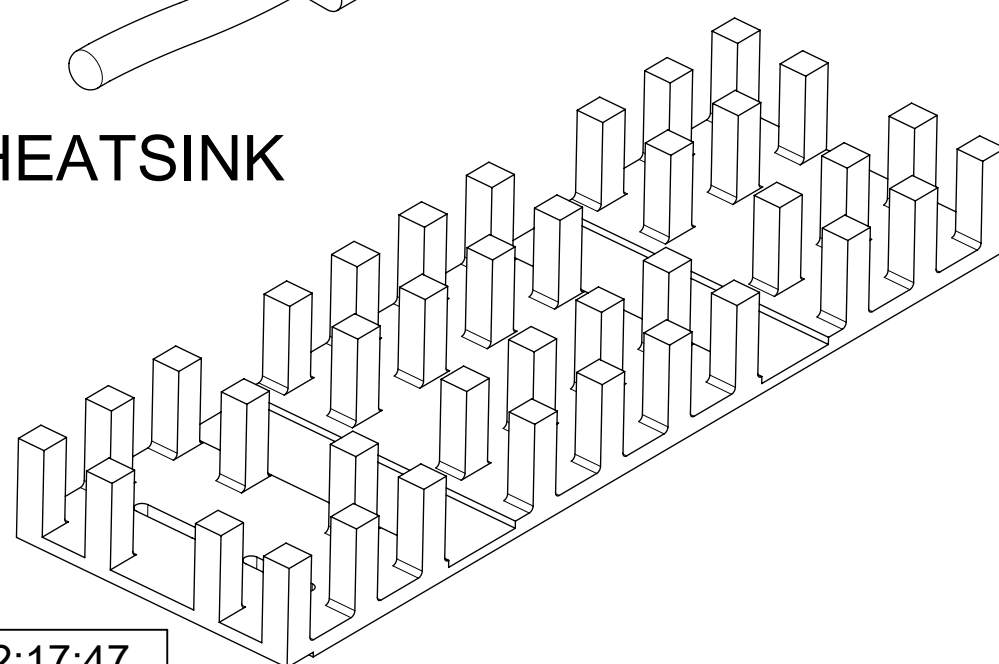
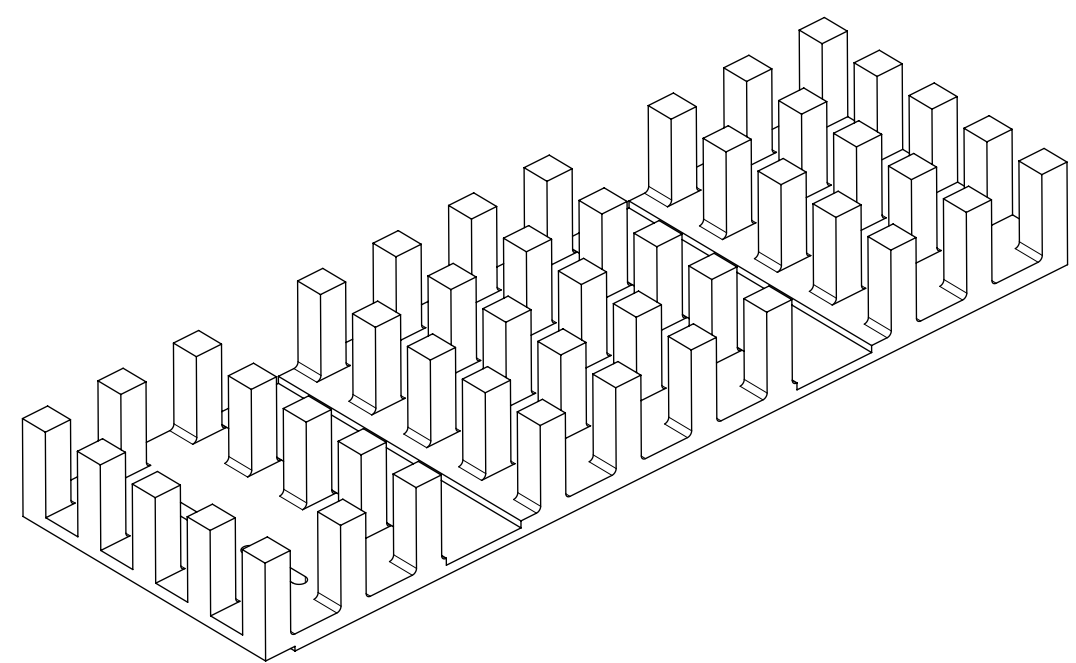
SINGLE / DUAL LIGHT PIPE

QUAD LIGHT PIPE

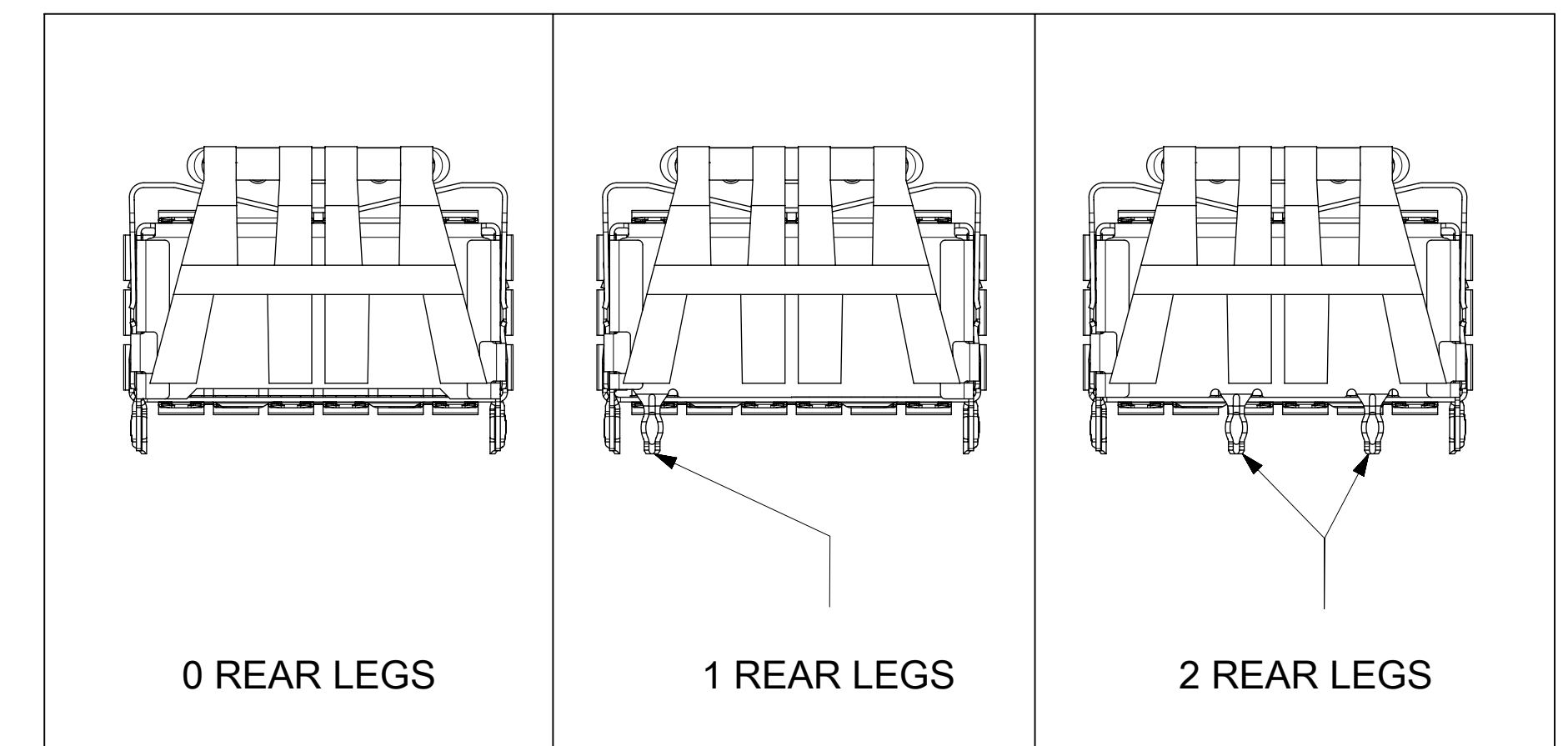


HEATSINK

HEATSINK



REAR LEG OPTIONS



SYMBOLS	THIS DRAWING CONTAINS INFORMATION THAT IS PROPRIETARY TO MOLEX ELECTRONIC TECHNOLOGIES, LLC AND SHOULD NOT BE USED WITHOUT WRITTEN PERMISSION	
DIMENSION UNITS	SCALE	CURRENT REV DESC: SEE REVISION TABLE
▽ = 0	mm	3:1
▽ = 0	GENERAL TOLERANCES (UNLESS SPECIFIED)	
▽ = 0	ANGULAR TOL ± 2.0°	
▽ = 0	4 PLACES ±	EC NO: 603674
▽ = 0	3 PLACES ±	DRWN: MKEMPEGOWDA 2018/08/27
▽ = 0	2 PLACES ± 0.13	CHK'D: TKUMARKC 2018/08/30
▽ = 0	1 PLACE ± 0.25	APPR: RCHEN08 2018/08/31
▽ = 0	0 PLACES ±	INITIAL REVISION:
⊠ = 0	DRWN: MKEMPEGOWDA 2016/06/22	
■ = 0	APPR: RCHEN08 2016/09/26	
▽ = 0	DRAFT WHERE APPLICABLE MUST REMAIN WITHIN DIMENSIONS	
⊕	THIRD ANGLE PROJECTION	DRAWING SERIES
⊕	D-SIZE	100014
DOCUMENT NUMBER		DOC TYPE DOC PART REVISION
1000147200		PSD ASY D
MATERIAL NUMBER CUSTOMER		SHEET NUMBER
SEE DRAWING GENERAL MARKET		2 OF 7

molex

ZQSFP+ 1X1 CAGE ASSEMBLY
WING SPRING FINGER TYPE, HEAT SINK & LIGHT PIPE OPTIONS

PRODUCT CUSTOMER DRAWING

DOCUMENT NUMBER DOC TYPE DOC PART REVISION

1000147200

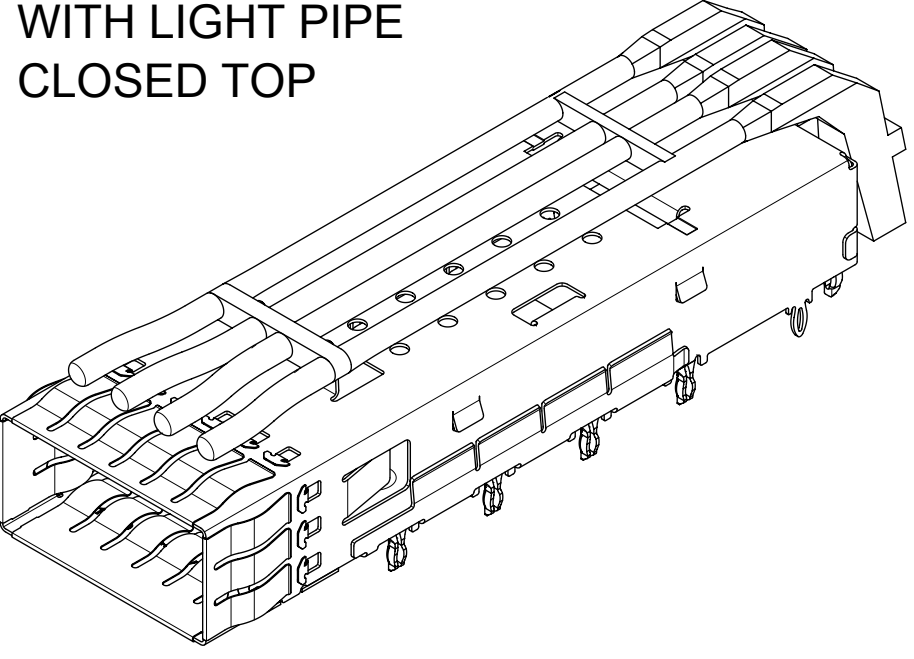
PSD ASY D

MATERIAL NUMBER CUSTOMER SHEET NUMBER

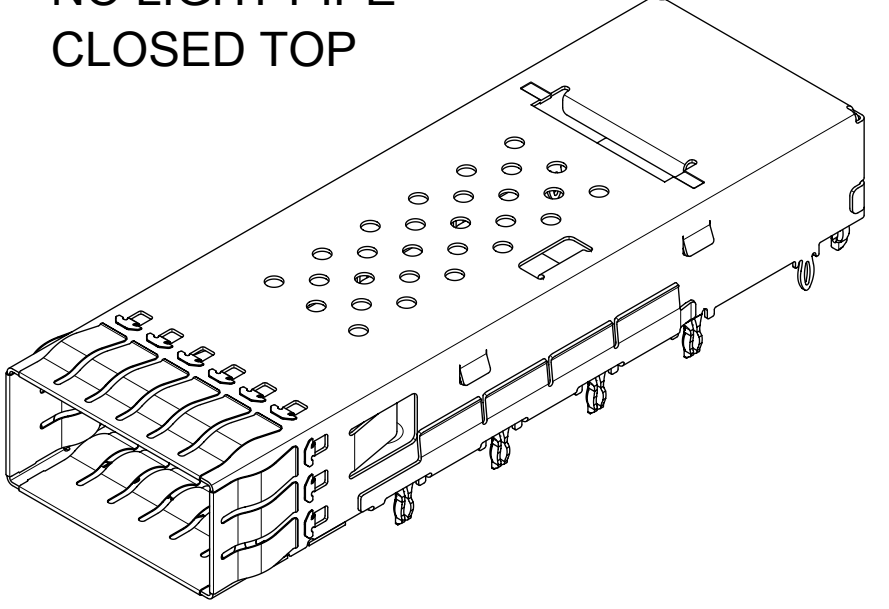
SEE DRAWING GENERAL MARKET 2 OF 7

PART NUMBER SELECTION

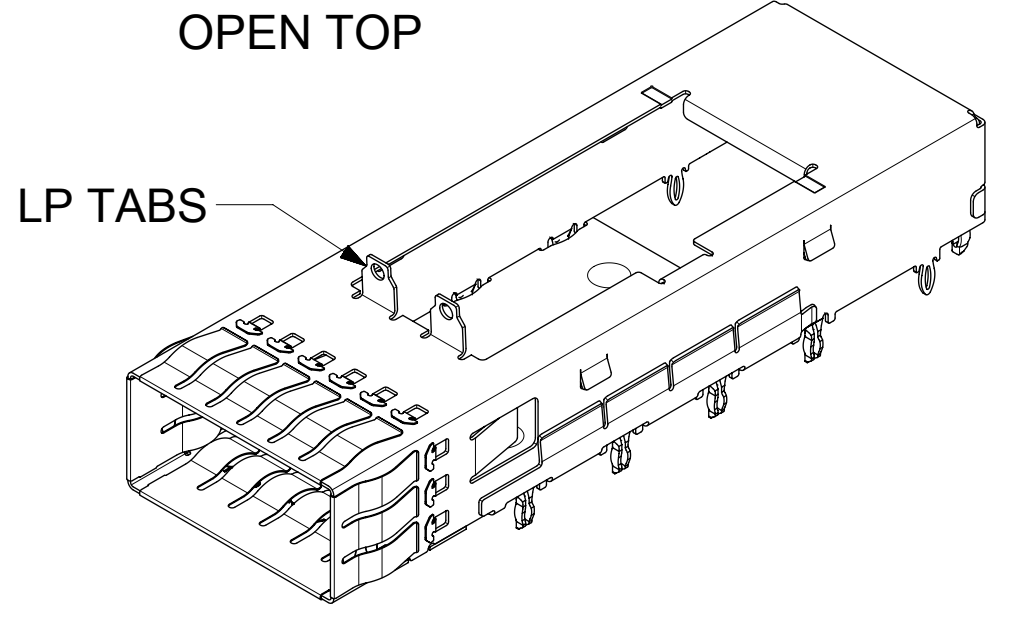
NO HEAT SINK
WITH LIGHT PIPE
CLOSED TOP



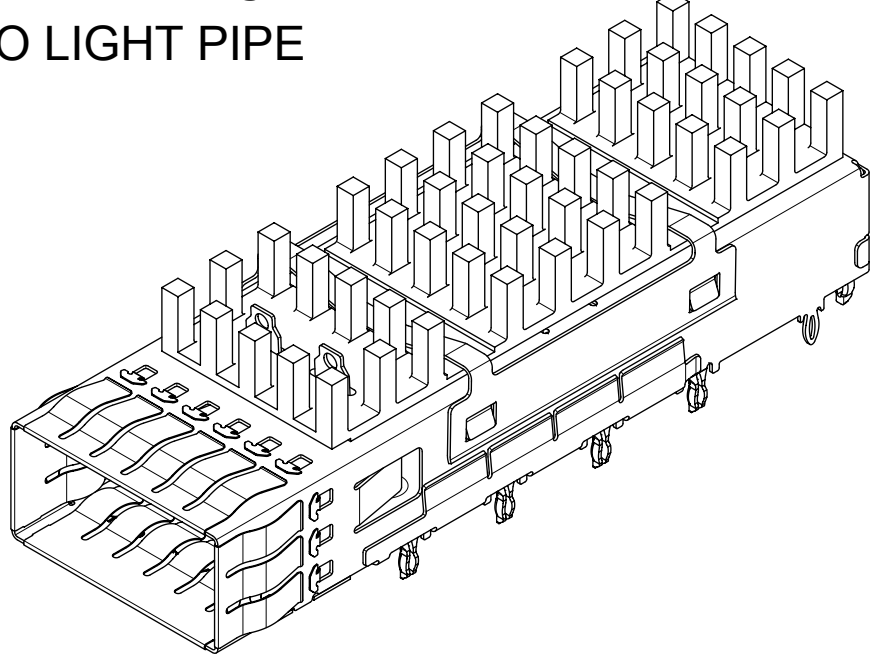
NO HEAT SINK
NO LIGHT PIPE
CLOSED TOP



NO HEAT SINKS
NO LIGHT PIPES
OPEN TOP



WITH HEAT SINK
NO LIGHT PIPE



MOLEX P/N	LIGHT PIPE	#OF REAR LEGS PER PORT	DIM "B"
1000147231	SINGLE	0	61.25 REF
1000147232	SINGLE	1	61.25 REF
1000147233	DUAL	0	61.25 REF
1000147234	DUAL	1	61.25 REF
1000147235	QUAD	0	61.25 REF
1000147236	QUAD	1	61.25 REF

MOLEX P/N	#OF REAR LEGS PER PORT
1000147240	0
1000147242	1

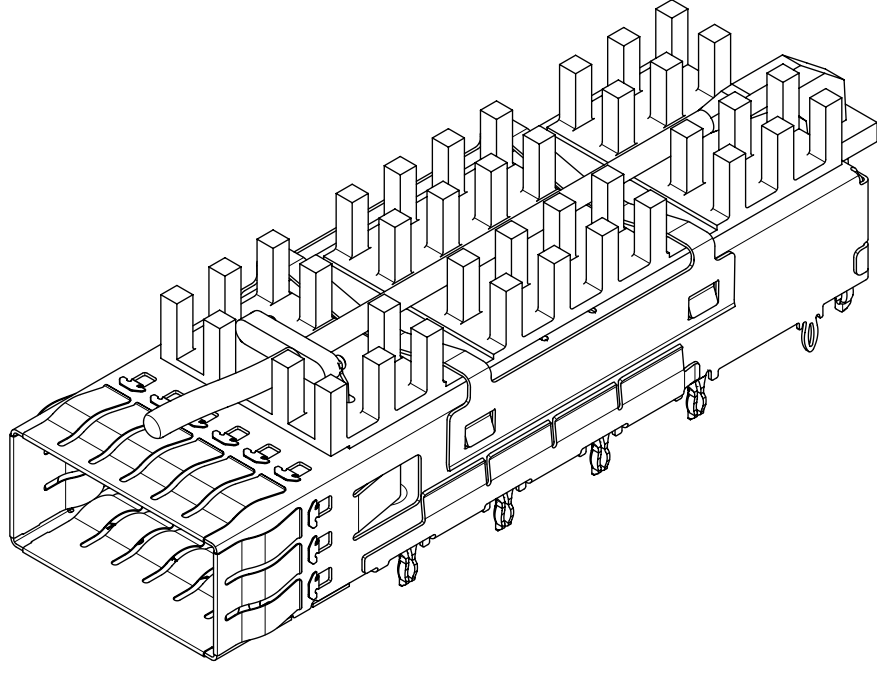
MOLEX P/N	#OF REAR LEGS PER PORT	LP TAB FEATURE
1000147250	0	YES
1000147252	1	YES
1000147253	2	YES
1000147256	2	NO

MOLEX P/N	HEAT SINK	#OF REAR LEGS PER PORT
1000147340	PCI	0
1000147341	SAN	0
1000147342	NET	0
1000147343	PCI	1
1000147344	SAN	1
1000147345	NET	1
1000147346	PCI	2
1000147347	SAN	2
1000147348	NET	2
1000147903	CUSTOM DIM A=20	2

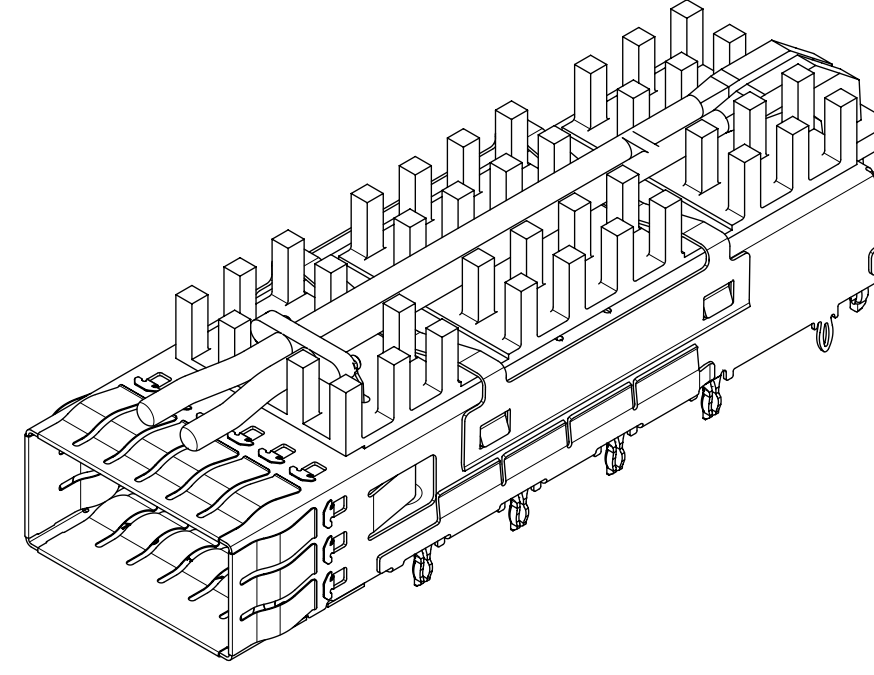
WITH HEAT SINKS AND LIGHT PIPES

MOLEX P/N	LIGHT PIPE	HEAT SINK	#OF REAR LEGS PER PORT	DIM "B"
1000147440	SINGLE	PCI	0	61.25 REF
1000147441	SINGLE	SAN	0	61.25 REF
1000147442	SINGLE	NET	0	61.25 REF
1000147443	DUAL	PCI	0	61.25 REF
1000147444	DUAL	SAN	0	61.25 REF
1000147445	DUAL	NET	0	61.25 REF
1000147446	QUAD	PCI	0	61.25 REF
1000147447	QUAD	SAN	0	61.25 REF
1000147448	QUAD	NET	0	61.25 REF
1000147540	SINGLE	PCI	1	61.25 REF
1000147541	SINGLE	SAN	1	61.25 REF
1000147542	SINGLE	NET	1	61.25 REF
1000147543	DUAL	PCI	1	61.25 REF
1000147544	DUAL	SAN	1	61.25 REF
1000147545	DUAL	NET	1	61.25 REF
1000147546	QUAD	PCI	1	61.25 REF
1000147547	QUAD	SAN	1	61.25 REF
1000147548	QUAD	NET	1	61.25 REF
1000147640	SINGLE	PCI	2	61.25 REF
1000147641	SINGLE	SAN	2	61.25 REF
1000147642	SINGLE	NET	2	61.25 REF
1000147643	DUAL	PCI	2	61.25 REF
1000147644	DUAL	SAN	2	61.25 REF
1000147645	DUAL	NET	2	61.25 REF
1000147646	QUAD	PCI	2	61.25 REF
1000147647	QUAD	SAN	2	61.25 REF
1000147648	QUAD	NET	2	61.25 REF
1000147744	DUAL	SAN	2	59.65 REF

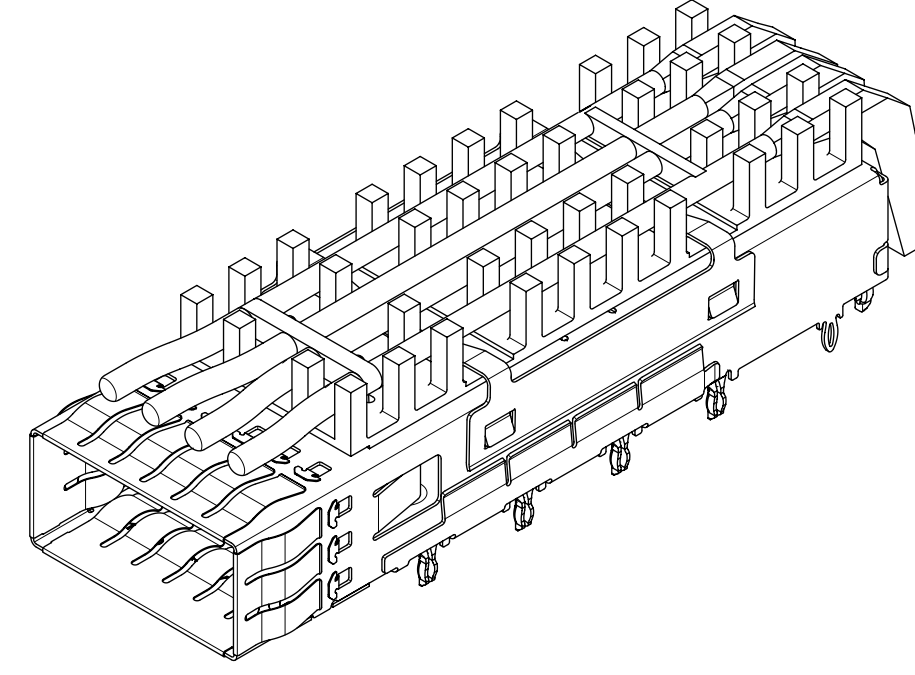
SINGLE LIGHT PIPE



DUAL LIGHT PIPE



QUAD LIGHT PIPE



SYMBOLS	THIS DRAWING CONTAINS INFORMATION THAT IS PROPRIETARY TO MOLEX ELECTRONIC TECHNOLOGIES, LLC AND SHOULD NOT BE USED WITHOUT WRITTEN PERMISSION	
	DIMENSION UNITS	SCALE
▽ = 0	mm	2:1
▽ = 0	GENERAL TOLERANCES (UNLESS SPECIFIED)	
▽ = 0	ANGULAR TOL ± 2.0°	
▽ = 0	4 PLACES	±
▽ = 0	3 PLACES	±
▽ = 0	2 PLACES	± 0.13
▽ = 0	1 PLACE	± 0.25
▽ = 0	0 PLACES	±
■ = 0	DRAFT WHERE APPLICABLE MUST REMAIN WITHIN DIMENSIONS	
▽ = 0	THIRD ANGLE PROJECTION	DRAWING SERIES
	⊕	D-SIZE 100014
CURRENT REV DESC: SEE REVISION TABLE		EC NO: 603674
		DRWN: MKEMPEGOWDA 2018/08/27
		CHK'D: TKUMARKC 2018/08/30
		APPR: RCHEN08 2018/08/31
INITIAL REVISION:		
DRWN: MKEMPEGOWDA 2016/06/22		
APPR: RCHEN08 2016/09/26		
DOCUMENT NUMBER		DOC TYPE DOC PART REVISION
1000147200		PSD ASY D
MATERIAL NUMBER		CUSTOMER
SEE DRAWING		GENERAL MARKET
SHEET NUMBER		
		3 OF 7



ZQSFP+ 1X1 CAGE ASSEMBLY
WING SPRING FINGER TYPE, HEAT SINK & LIGHT PIPE OPTIONS

PRODUCT CUSTOMER DRAWING

DOCUMENT NUMBER DOC TYPE DOC PART REVISION

1000147200

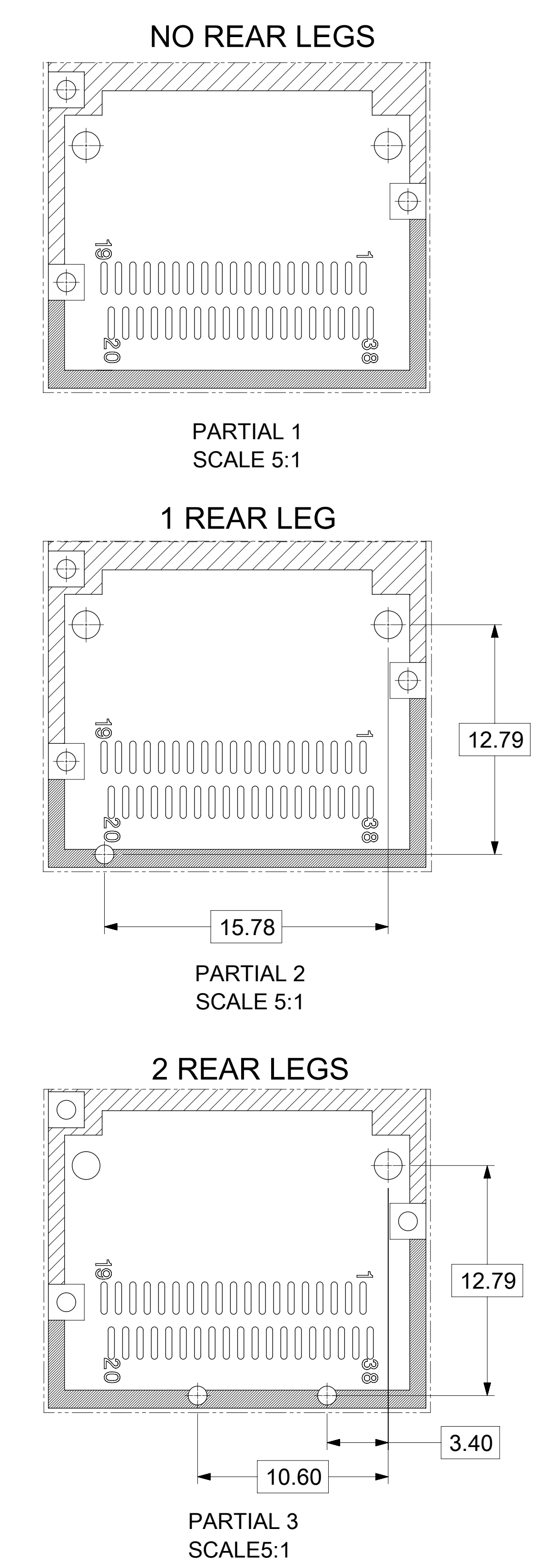
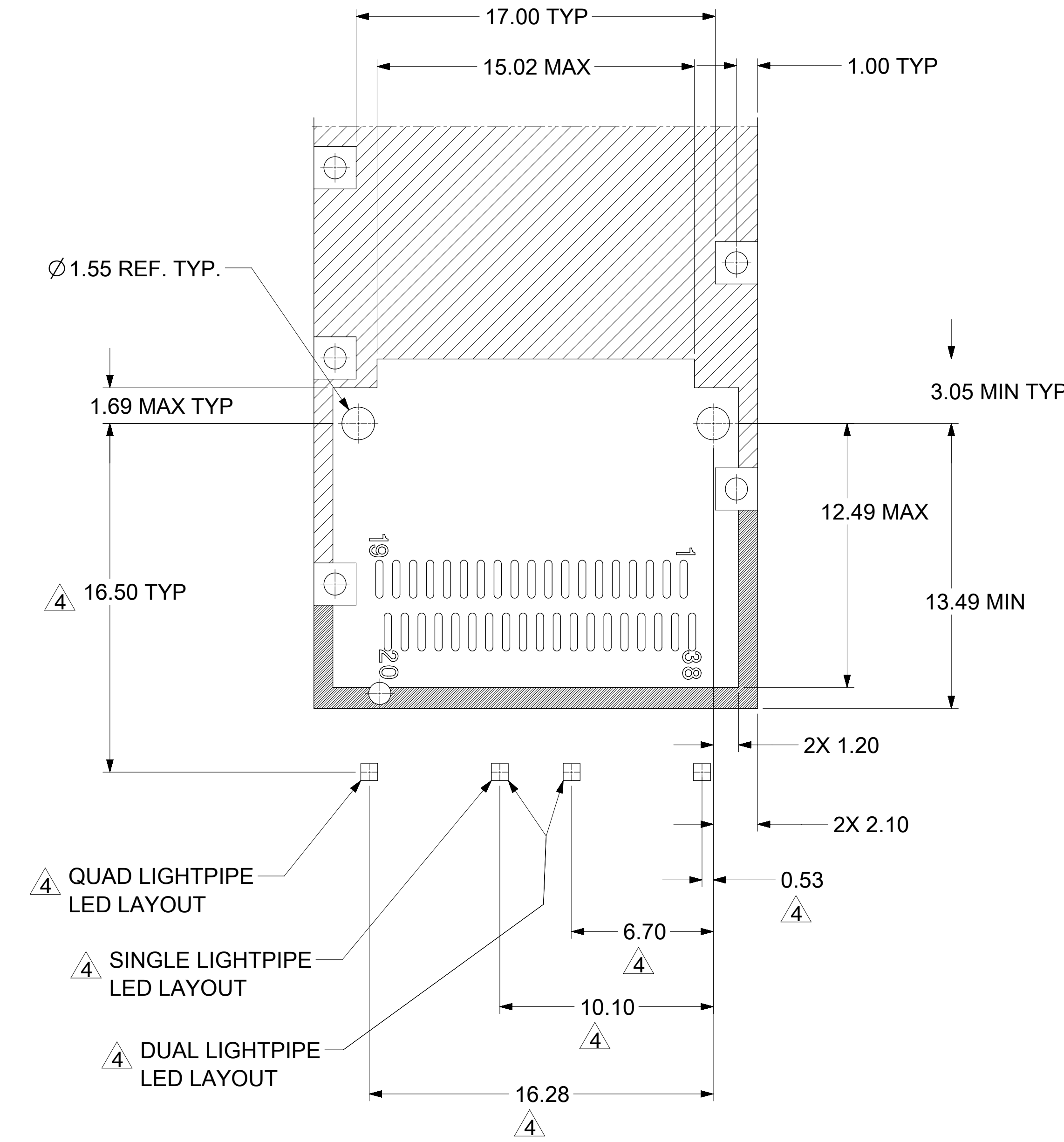
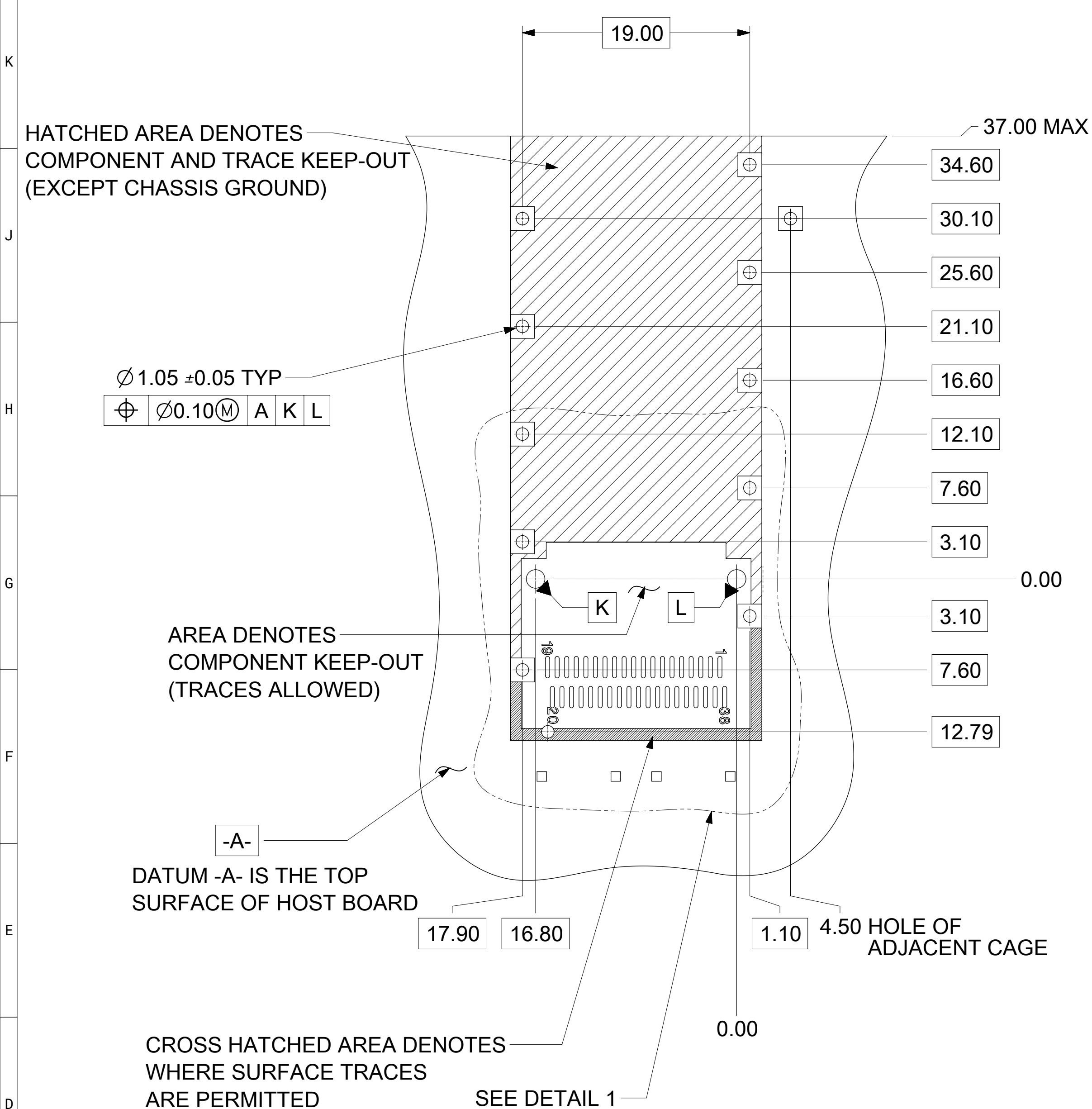
PSD ASY D

MATERIAL NUMBER CUSTOMER SHEET NUMBER

SEE DRAWING GENERAL MARKET

3 OF 7

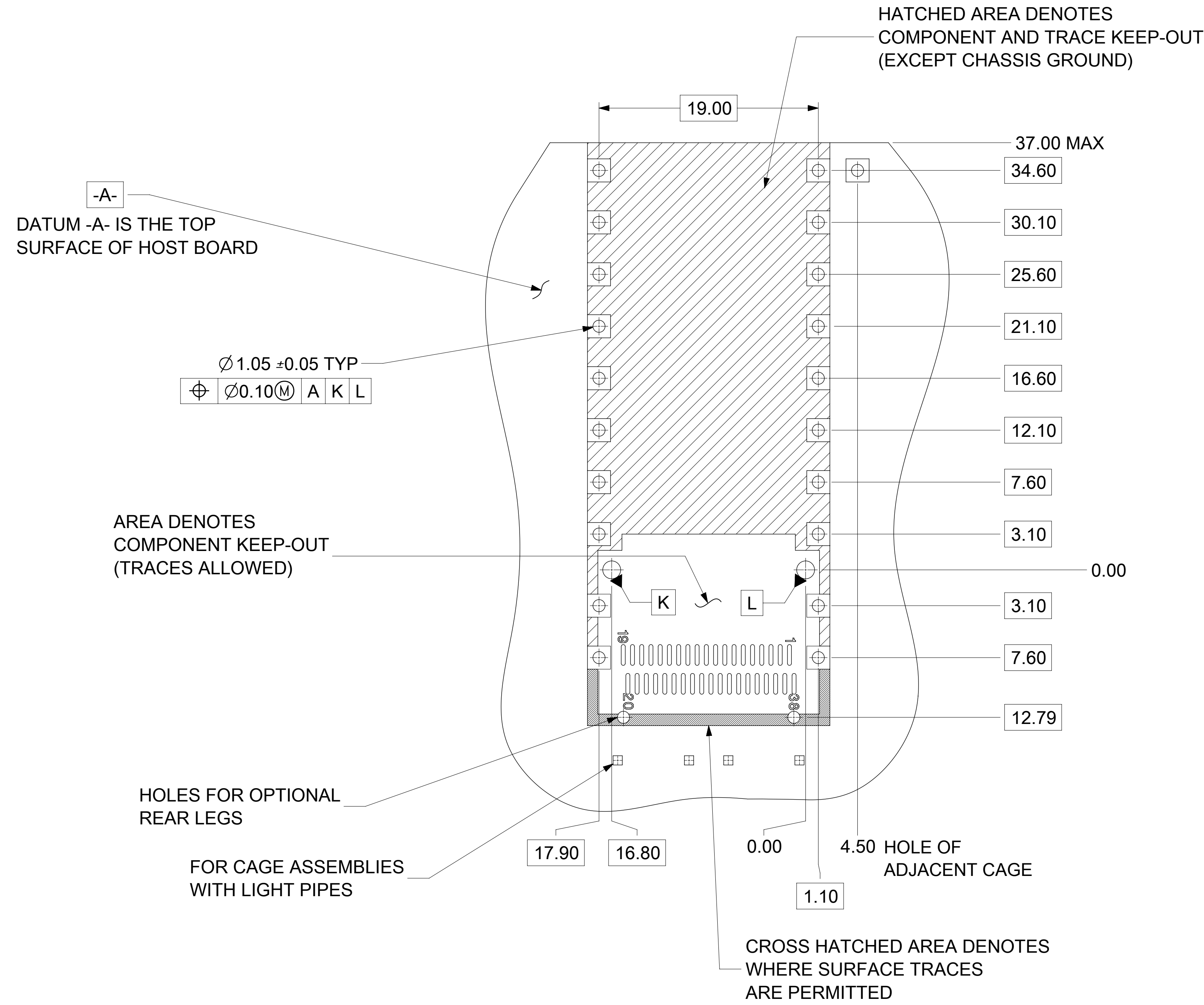
PCB LAYOUT FOR SINGLE SIDED MOUNTING



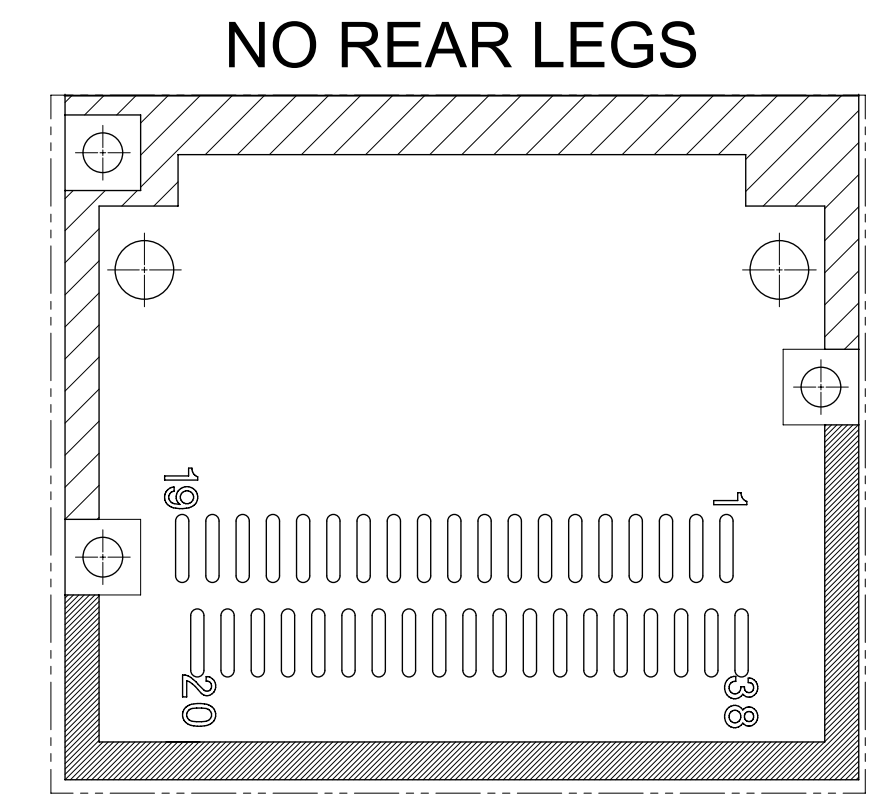
- NOTES:
1. PADS AND VIAS GO TO CHASSIS GROUND. (RECOMMENDED PADS TO BE 2.00mm SQUARE.)
 2. RECOMMENDED THRU HOLE PLATING INCLUDES HASL, OSP, OR IMMERSION (GOLD, SILVER, OR TIN).
 3. CONNECTOR PAD LAYOUT PER SFF-8663 WILL ACCOMODATE MOLEX CONNECTOR SERIES 170432.
 4. NOTED DIMENSIONS ONLY APPLY TO CAGE ASSEMBLIES WITH LIGHT PIPES.

SYMBOLS	THIS DRAWING CONTAINS INFORMATION THAT IS PROPRIETARY TO MOLEX ELECTRONIC TECHNOLOGIES, LLC AND SHOULD NOT BE USED WITHOUT WRITTEN PERMISSION		CURRENT REV DESC: SEE REVISION TABLE	
	DIMENSION UNITS	SCALE		
▽ = 0	mm	3.5:1		
▽ = 0	GENERAL TOLERANCES (UNLESS SPECIFIED)			
▽ = 0	ANGULAR TOL ± 2.0°			
▽ = 0	4 PLACES	±	EC NO: 603674	
▽ = 0	3 PLACES	±	DRWN: MKEMPEGOWDA 2018/08/27	
▽ = 0	2 PLACES	± 0.13	CHK'D: TKUMARKC 2018/08/30	
▽ = 0	1 PLACE	± 0.25	APPR: RCHEN08 2018/08/31	
▽ = 0	0 PLACES	±	INITIAL REVISION:	
▽ = 0	DRAFT WHERE APPLICABLE MUST REMAIN WITHIN DIMENSIONS		DRWN: MKEMPEGOWDA 2016/06/22	2016/09/26
▽ = 0	THIRD ANGLE PROJECTION		APPR: RCHEN08	
		DRAWING	SERIES	MATERIAL NUMBER
		D-SIZE	100014	SEE DRAWING
		CUSTOMER	GENERAL MARKET	
DOCUMENT STATUS		DOC TYPE	DOC PART	REVISION
P1		PSD	ASY	D
RELEASE DATE	DOCUMENT NUMBER		SHEET NUMBER	
2018/08/31 02:17:47	1000147200		4 OF 7	

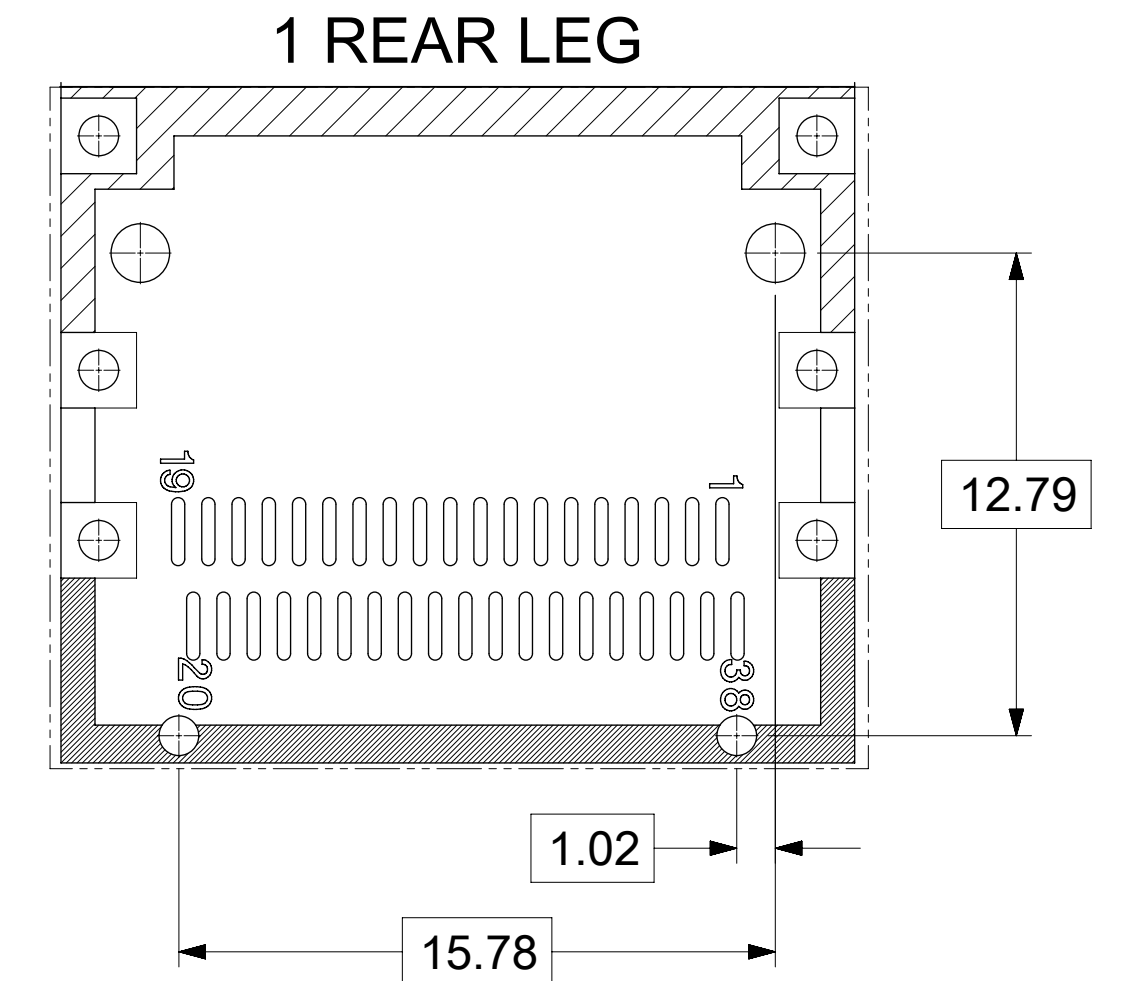
PCB LAYOUT FOR BELLY TO BELLY MOUNTING



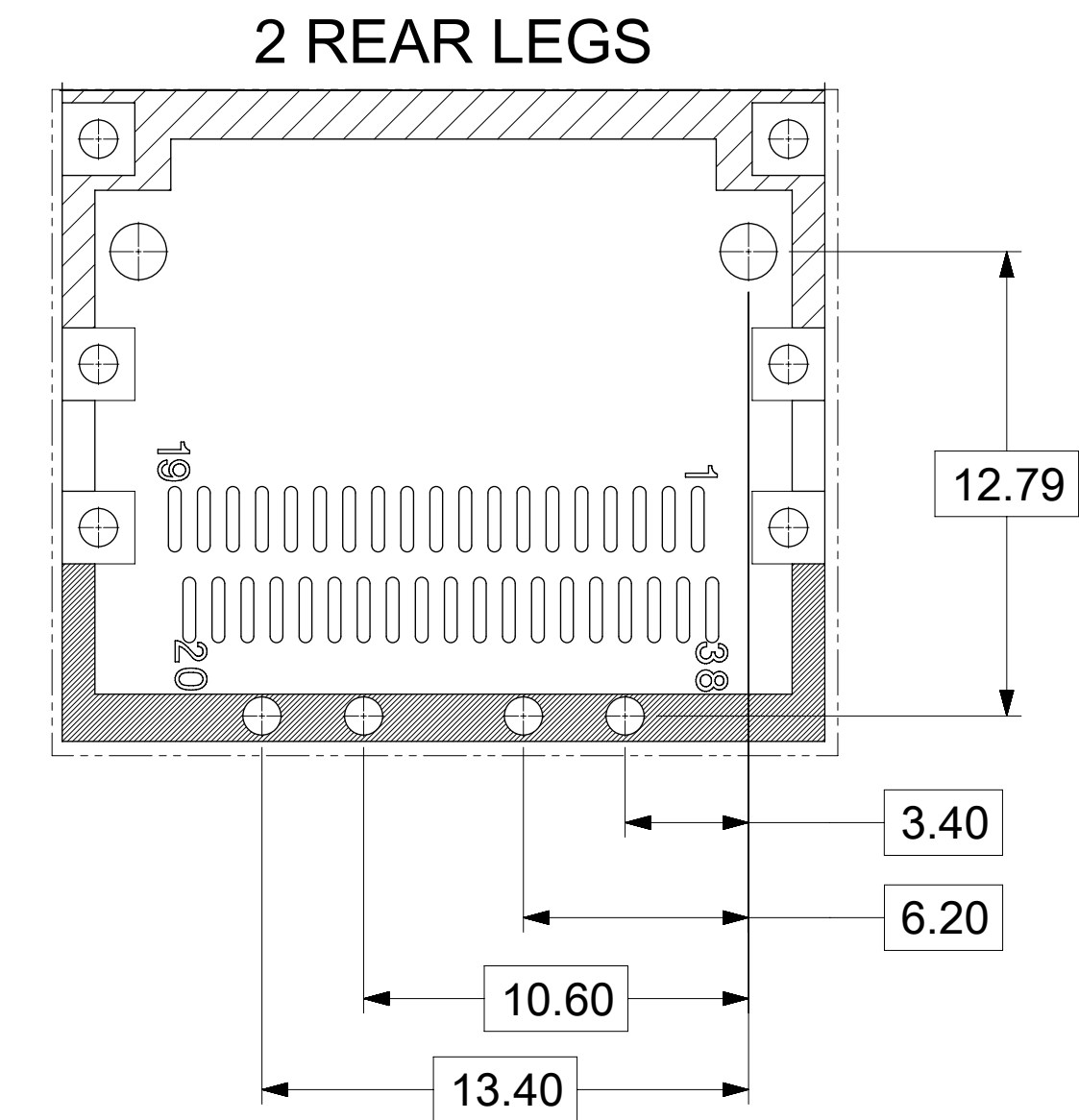
NOTE:
SEE SHEET 4 FOR
HOST CONNECTOR DETAIL
AND LED LOCATION DETAILS



PARTIAL 1
SCALE 5:1



PARTIAL 5
SCALE 5:1



PARTIAL 6
SCALE 5:1

- NOTES:
1. PADS AND VIAS GO TO CHASSIS GROUND. (RECOMMENDED PADS TO BE 2.00mm SQUARE.)
 2. RECOMMENDED THRU HOLE PLATING INCLUDES HASL, OSP, OR IMMERSION (GOLD, SILVER, OR TIN).
 3. CONNECTOR PAD LAYOUT PER SFF-8663 WILL ACCOMODATE MOLEX CONNECTOR SERRIES 170432.

SYMBOLS	THIS DRAWING CONTAINS INFORMATION THAT IS PROPRIETARY TO MOLEX ELECTRONIC TECHNOLOGIES, LLC AND SHOULD NOT BE USED WITHOUT WRITTEN PERMISSION		CURRENT REV DESC: SEE REVISION TABLE		
	DIMENSION UNITS	SCALE			
▽ = 0	mm	4:1			
▽ = 0	GENERAL TOLERANCES (UNLESS SPECIFIED)				
▽ = 0	ANGULAR TOL	± 2.0°			
▽ = 0	4 PLACES	±	EC NO: 603674		
▽ = 0	3 PLACES	±	DRWN: MKEMPEGOWDA 2018/08/27		
▽ = 0	2 PLACES	± 0.13	CHK'D: TKUMARKC 2018/08/30		
▽ = 0	1 PLACE	± 0.25	APPR: RCHEN08 2018/08/31		
▽ = 0	0 PLACES	±	INITIAL REVISION:		
▽ = 0	DRAFT WHERE APPLICABLE MUST REMAIN WITHIN DIMENSIONS		DRWN: MKEMPEGOWDA 2016/06/22		
▽ = 0	THIRD ANGLE PROJECTION		APPR: RCHEN08 2016/09/26		
DRAWING		SERIES	MATERIAL NUMBER	CUSTOMER	SHEET NUMBER
D-SIZE		100014	SEE DRAWING	GENERAL MARKET	5 OF 7

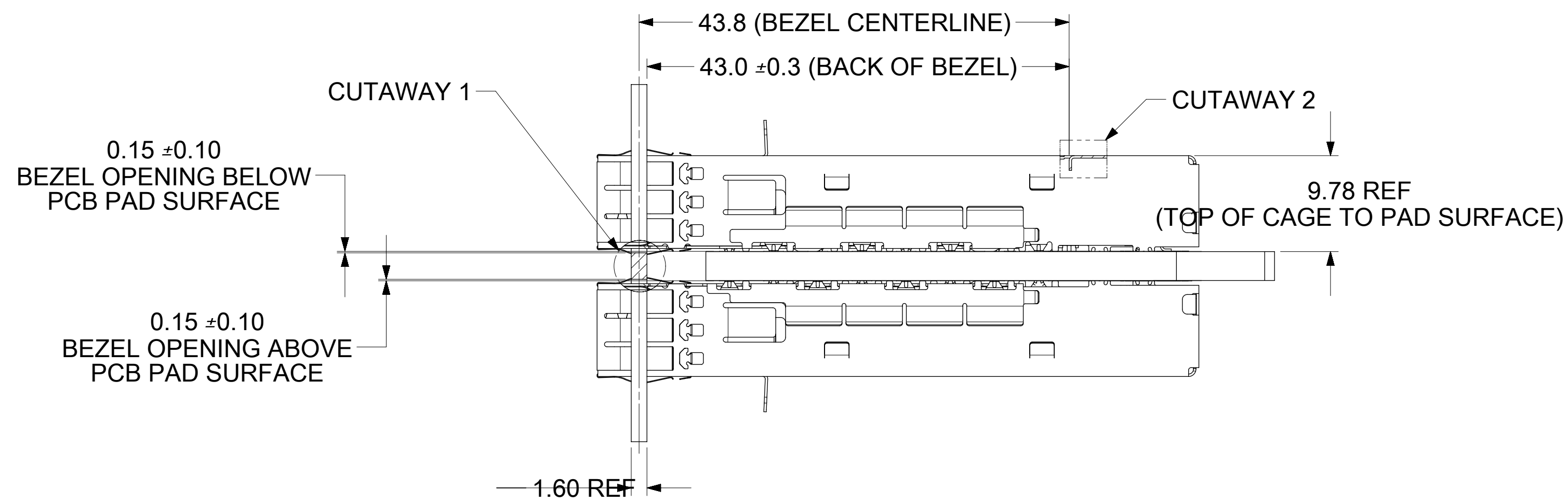
molex

ZQSFP+ 1X1 CAGE ASSEMBLY
WING SPRING FINGER TYPE, HEAT SINK & LIGHT PIPE OPTIONS

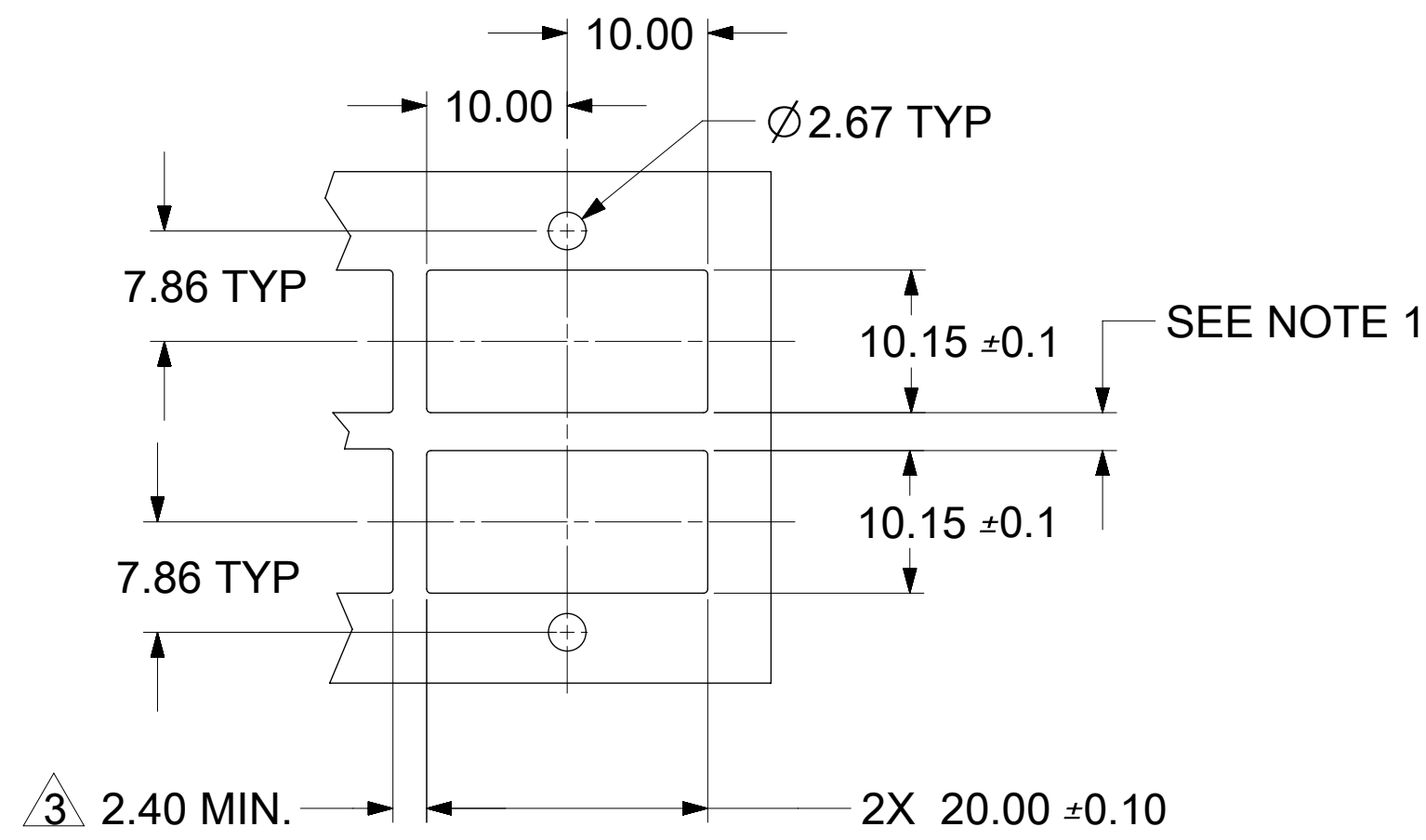
PRODUCT CUSTOMER DRAWING

DOCUMENT NUMBER	DOC TYPE	DOC PART	REVISION
1000147200	PSD	ASY	D

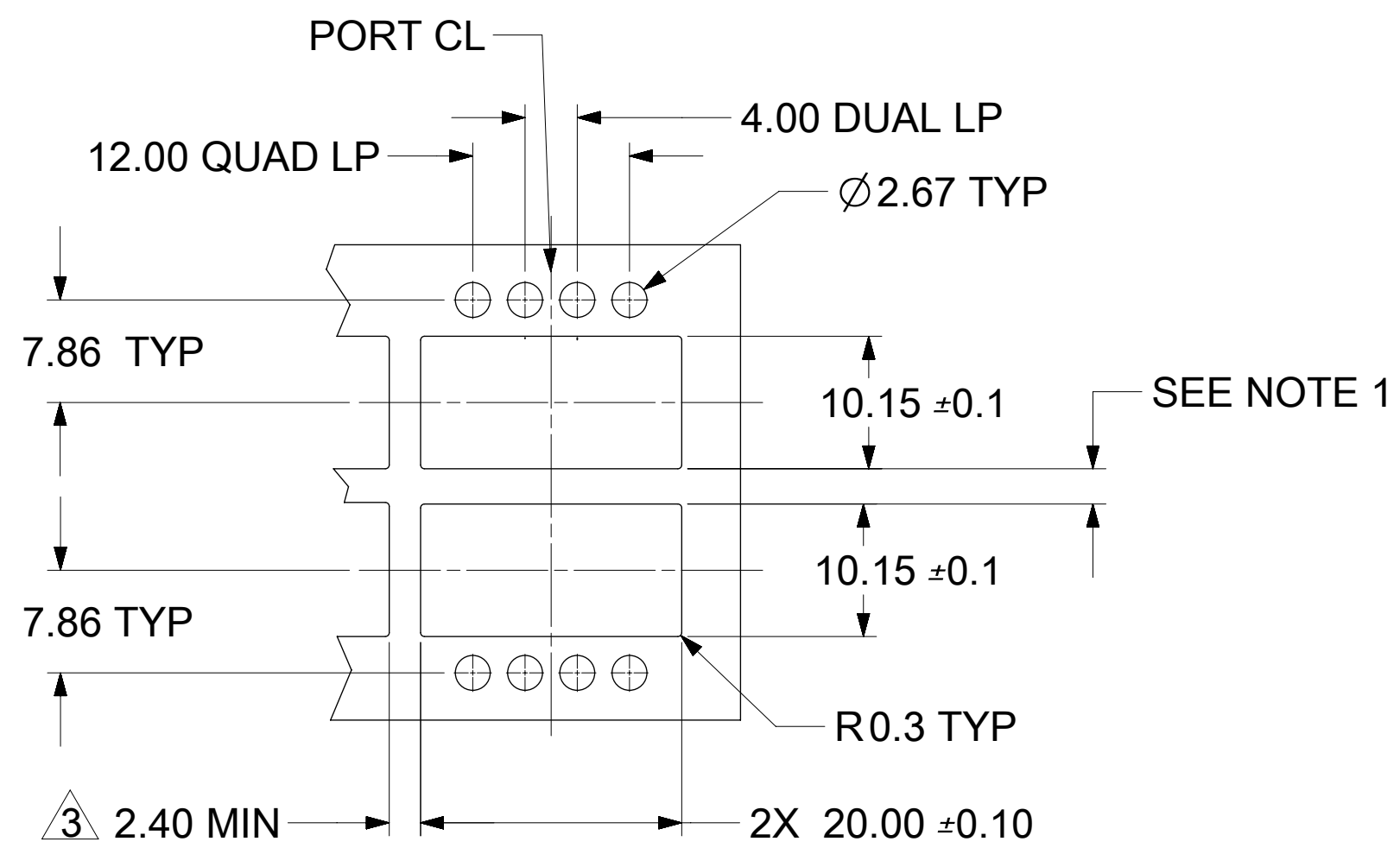
BEZEL AND BOARD POSITION DIMENSIONS
FOR BELLY TO BELLY MOUNTING



SINGLE LIGHT PIPE ²

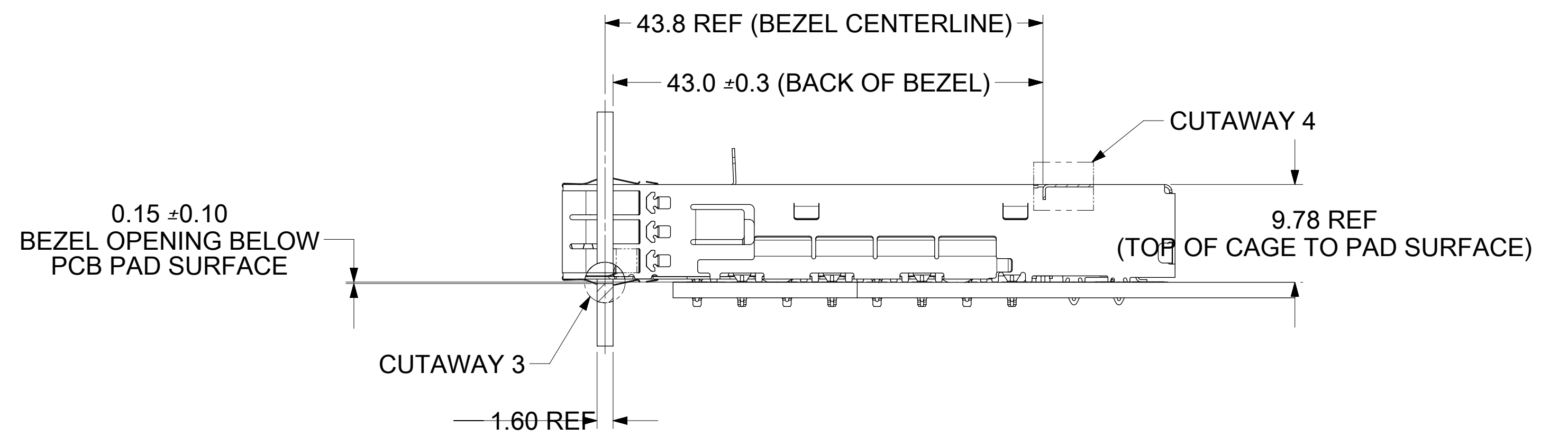


DUAL/QUAD LIGHT PIPE ²

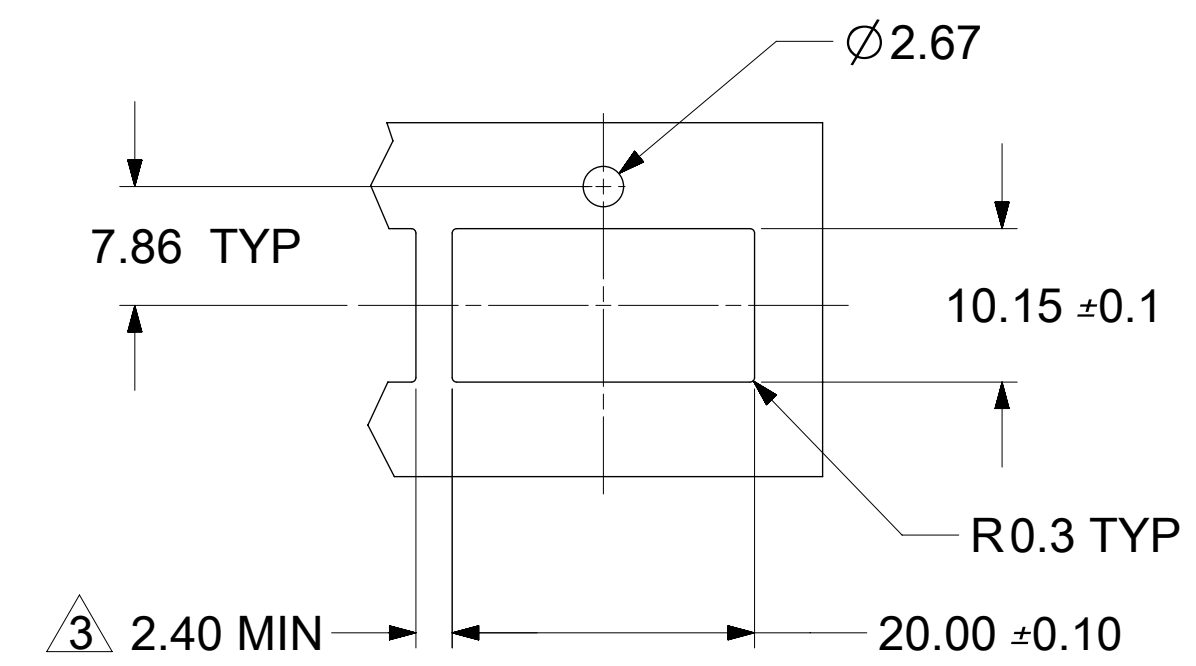


- NOTE:
1. PCB THICKNESS VARIATION MUST BE CONSIDERED WHEN DETERMINING BEZEL OPENING LOCATION.
 2. NOTED DIMENSIONS ONLY APPLY TO CAGE ASSEMBLIES WITH LIGHT PIPES.
 3. THIS DIMENSION IS FOR REFERENCE ONLY. USER CAN MODIFY UT DEPENDS ON APPLICATION. (THIS DIMENSION VARIES BASED ON DISTANCE OF "HOLE OF ADJACENT CAGE" ON PCB LAYOUT.)

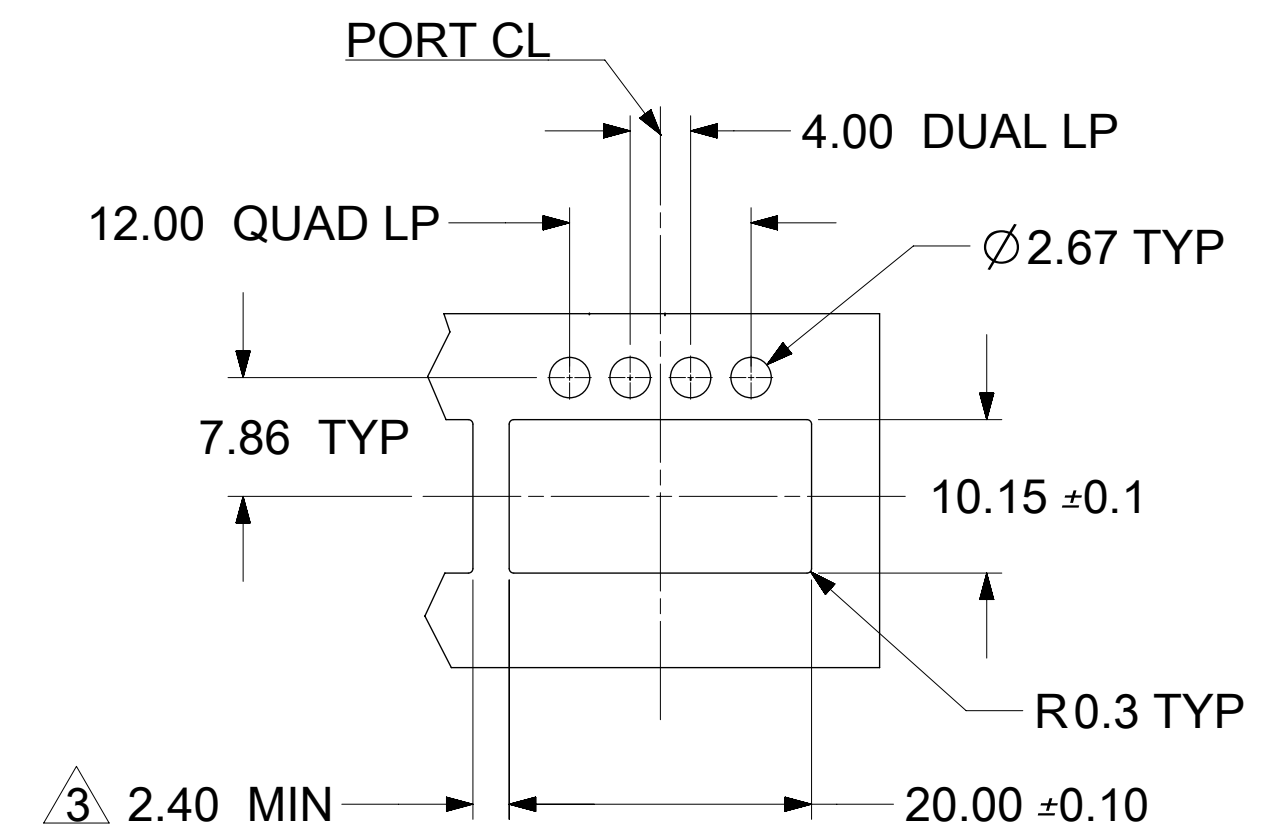
BEZEL AND BOARD POSITION DIMENSIONS
FOR SINGLE SIDE MOUNTING



SINGLE LIGHT PIPE ²



DUAL/QUAD LIGHT PIPE ²



SYMBOLS		THIS DRAWING CONTAINS INFORMATION THAT IS PROPRIETARY TO MOLEX ELECTRONIC TECHNOLOGIES, LLC AND SHOULD NOT BE USED WITHOUT WRITTEN PERMISSION	
▽ = 0	DIMENSION UNITS	SCALE	CURRENT REV DESC: SEE REVISION TABLE
▽ = 0	mm	2.5:1	
▽ = 0	GENERAL TOLERANCES (UNLESS SPECIFIED)		
▽ = 0	ANGULAR TOL	± 2.0°	
▽ = 0	4 PLACES	±	EC NO: 603674
▽ = 0	3 PLACES	±	DRWN: MKEMPEGOWDA 2018/08/27
▽ = 0	2 PLACES	± 0.13	CHK'D: TKUMARKC 2018/08/30
▽ = 0	1 PLACE	± 0.25	APPR: RCHEN08 2018/08/31
▽ = 0	0 PLACES	±	INITIAL REVISION:
▽ = 0	DRAFT WHERE APPLICABLE MUST REMAIN WITHIN DIMENSIONS		DRWN: MKEMPEGOWDA 2016/06/22
▽ = 0	THIRD ANGLE PROJECTION		APPR: RCHEN08 2016/09/26
	DRAWING	SERIES	DOCUMENT NUMBER
	D-SIZE	100014	1000147200
	MATERIAL NUMBER	CUSTOMER	DOC TYPE
	SEE DRAWING	GENERAL MARKET	PSD
	SHEET NUMBER		REVISION
	6 OF 7		D

molex

ZQSFP+ 1X1 CAGE ASSEMBLY
WING SPRING FINGER TYPE, HEAT SINK & LIGHT PIPE OPTIONS

PRODUCT CUSTOMER DRAWING

DOCUMENT NUMBER DOC TYPE DOC PART REVISION

1000147200 PSD ASY D

MATERIAL NUMBER CUSTOMER SHEET NUMBER

SEE DRAWING GENERAL MARKET 6 OF 7

