






Changeover operating mechanism for 3RT1485, 3RT1486 and 3RT1487, AC (50...60 Hz) / DC operation, 100 ... 240 V AC / 100 ... 220 V DC

product brand name	SIRIUS
product designation	Magnet coil
Substance Prohibittance (Date)	03/27/2020
type of voltage of the control supply voltage	AC/DC
control supply voltage 1 at AC	
• at 50 Hz rated value	100 V
• at 60 Hz rated value	100 V
control supply voltage 2 at AC	
• at 50 Hz rated value	240 V
• at 60 Hz rated value	240 V
control supply voltage 1	
• at DC rated value	100 V
control supply voltage 2 at DC rated value	220 V
operating range factor control supply voltage rated value of magnet coil at AC	
• at 50 Hz	0.85 ... 1.1
• at 60 Hz	0.85 ... 1.1
apparent pick-up power of magnet coil at AC	
• at 50 Hz	1 800 VA
• at 60 Hz	1 800 VA
apparent holding power of magnet coil at AC	
• at 50 Hz	33 VA
• at 60 Hz	33 VA

Approvals Certificates

General Product Approval	EMC	Declaration of Conformity	Test Certificates
Confirmation 			 EG-Konf. Special Test Certificate
Marine / Shipping	other	Railway	
 ABS  PRS  DNVGL	Confirmation	Miscellaneous Special Test Certificate	

Further information

Siemens has decided to exit the Russian market (see here).

<https://press.siemens.com/global/en/pressrelease/siemens-wind-down-russian-business>

Siemens is working on the renewal of the current EAC certificates.

Please contact your local Siemens office on the status of validity of the EAC certification if you intend to import or offer to supply these products to an EAC relevant market (other than the sanctioned EAEU member states Russia or Belarus).

Information on the packaging

<https://support.industry.siemens.com/cs/ww/en/view/109813875>

Information- and Downloadcenter (Catalogs, Brochures,...)

<https://www.siemens.com/ic10>

Industry Mall (Online ordering system)

<https://mall.industry.siemens.com/mall/en/en/Catalog/product?mlfb=3RT1987-5AP31>

Cax online generator

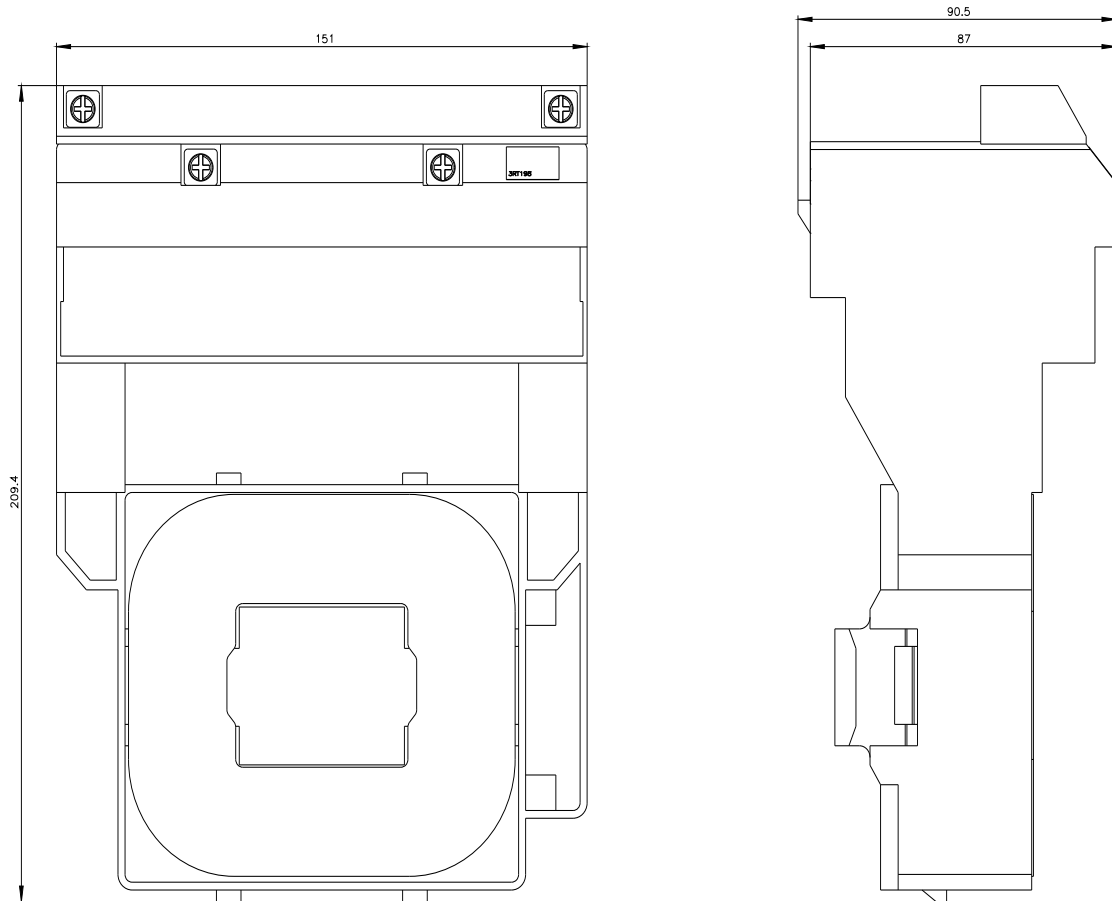
<http://support.automation.siemens.com/WW/CAXorder/default.aspx?lang=en&mlfb=3RT1987-5AP31>

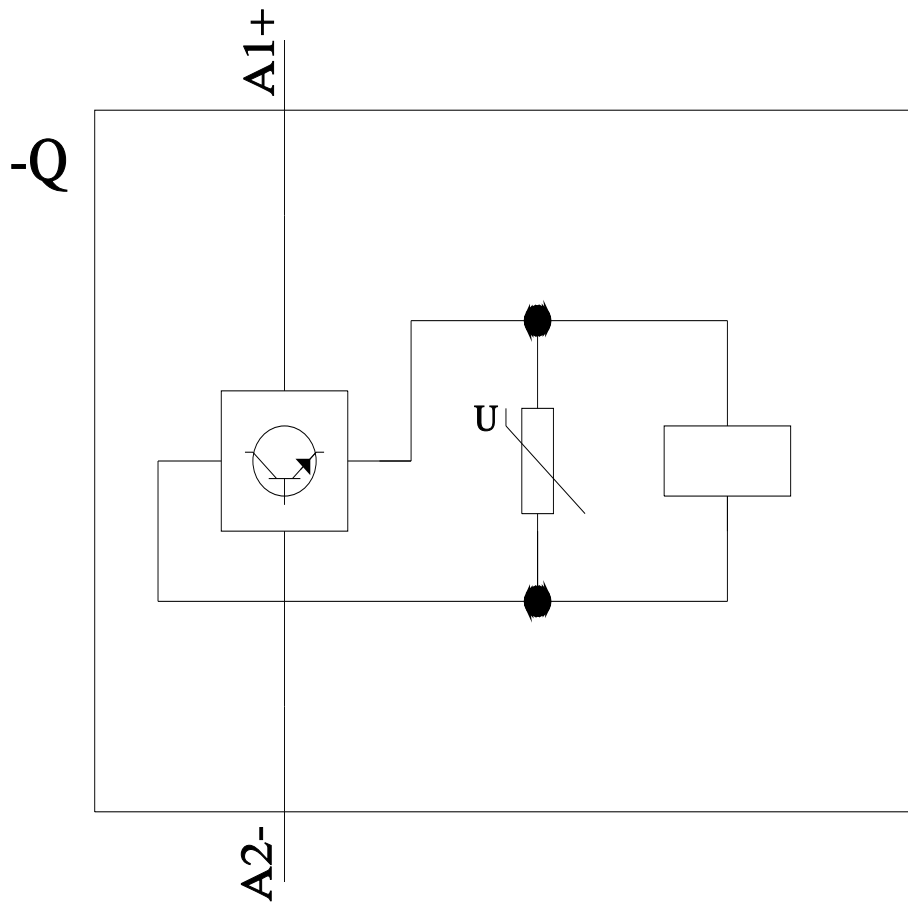
Service&Support (Manuals, Certificates, Characteristics, FAQs,...)

<https://support.industry.siemens.com/cs/ww/en/ps/3RT1987-5AP31>

Image database (product images, 2D dimension drawings, 3D models, device circuit diagrams, EPLAN macros, ...)

http://www.automation.siemens.com/bilddb/cax_de.aspx?mlfb=3RT1987-5AP31&lang=en





last modified:

1/12/2021 