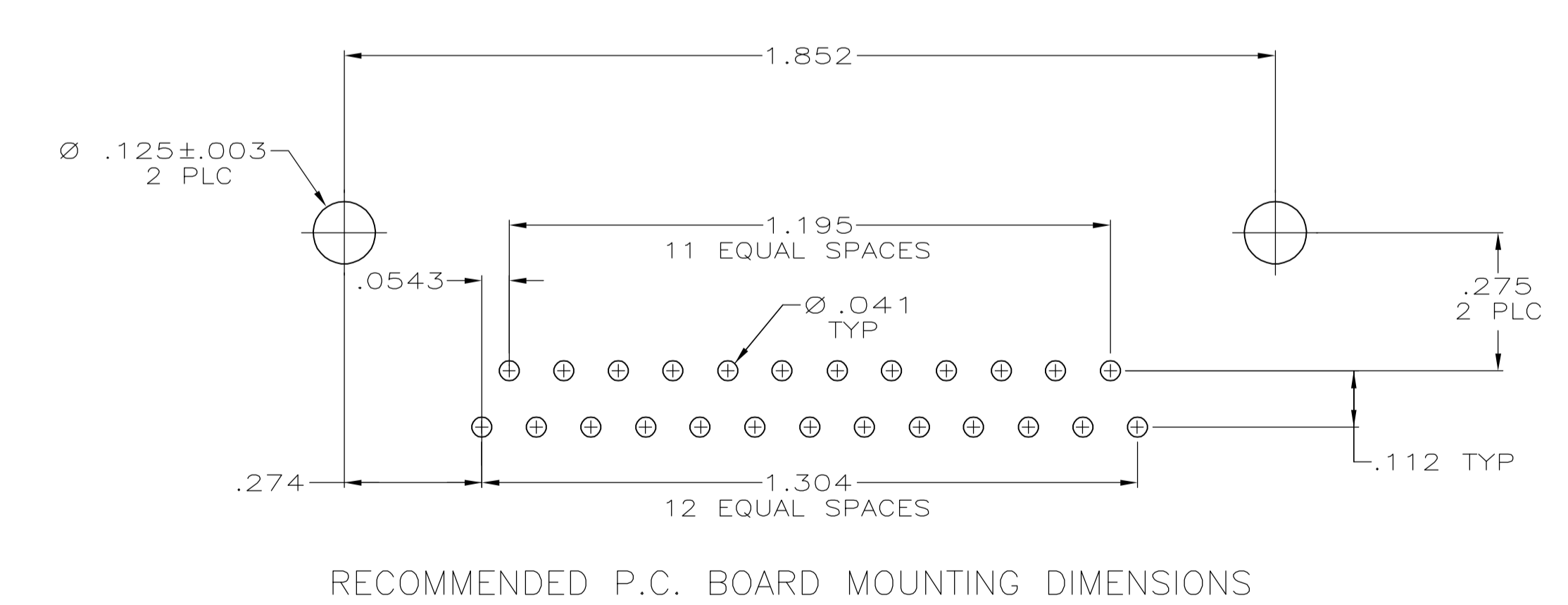
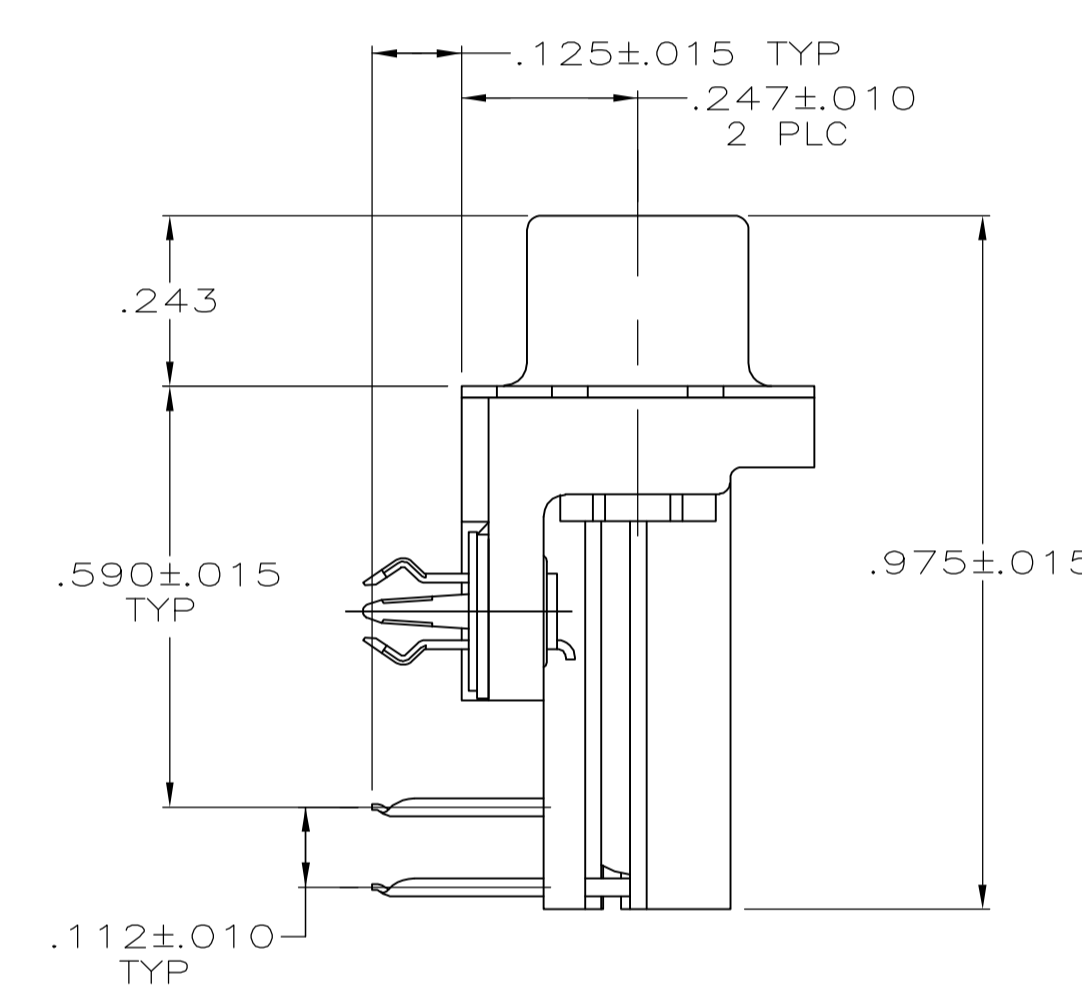
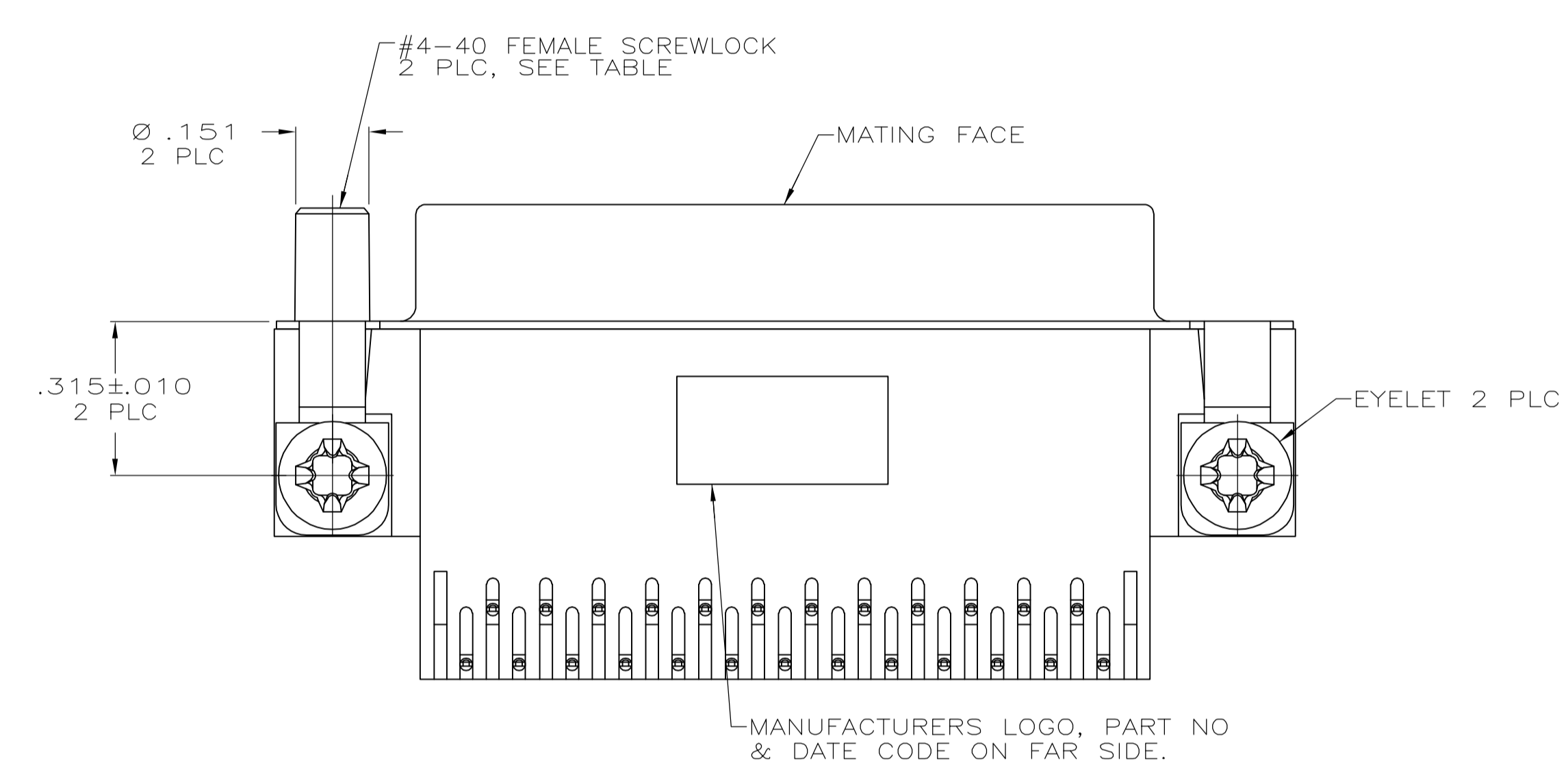
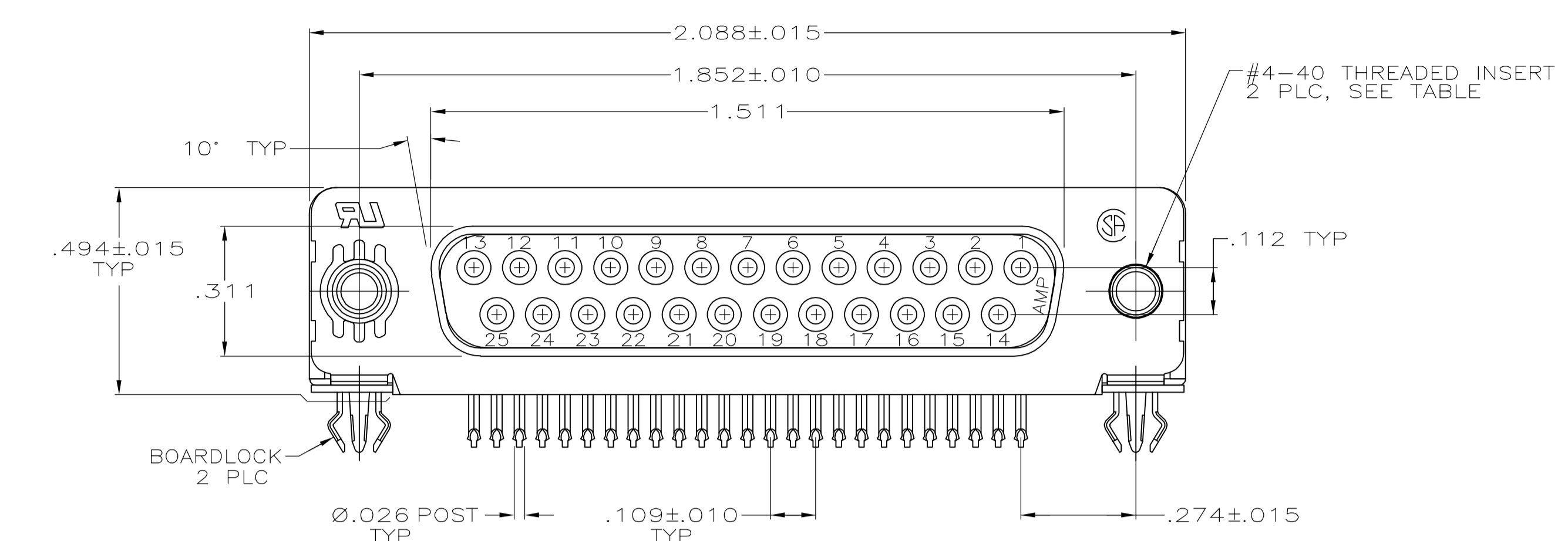


LOC	DIST	REVISIONS					
GP	00	P	LTR	DESCRIPTION	DATE	DWN	APVD
		0		RELEASED PER EC 0S13-0016-05	04-12-05	GA	JG



- 1 HOUSING: NYLON OR POLYESTER, FLAME RETARDANT, UL 94V-0 RATED, GLASS FILLED, BLACK.  
SHELL: CARBON STEEL  
CONTACTS: PHOSPHOR BRONZE  
EYELETS: BRASS  
SCREWLOCKS: ZINC  
INSERTS: ZINC  
BOARDLOCKS: COPPER ALLOY
- 2 SHELL: .000100 MIN TIN OVER .000050 MIN COPPER.  
EYELETS: .000100 MIN TIN OVER COPPER FLASH.  
CONTACTS: SEE TABLE  
BOARDLOCKS: .000150 MIN TIN OVER .000050 MIN NICKEL.  
INSERTS: CLEAR CHROMATE  
SCREWLOCKS: CLEAR CHROMATE
- 3 GOLD FLASH FOR A DISTANCE OF .100 MIN FROM MATING END, .000100 MIN TIN ON TERMINATION END, ALL OVER .000050 MIN NICKEL ON ENTIRE CONTACT.
- 4 .000030 MIN GOLD FOR A DISTANCE OF .100 MIN FROM MATING END, .000100 MIN TIN ON TERMINATION END, ALL OVER .000050 MIN NICKEL ENTIRE CONTACT.

FEMALE SCREWLOCKS	4	5747838-6
THREADED INSERTS	4	5747838-4
THREADED INSERTS	3	5747838-3
MOUNTING HARDWARE	CONTACT FINISH	PART NUMBER

**COPYRIGHT 2005  
TYCO ELECTRONICS CORP  
ALL RIGHTS RESERVED**

THIS DRAWING IS A CONTROLLED DOCUMENT.

DIMENSIONS:	TOLERANCES UNLESS OTHERWISE SPECIFIED:	DWN G. ATTADIA - DOCKS 04-12-05	APVD M. WALMSLEY 04-12-05	NAME S. BOLASH 04-12-05	tyco Electronics	Tyco Electronics Corporation Harrisburg, PA 17105-3608
INCHES:	0 PLC ± - 1 PLC ± - 2 PLC ± - 3 PLC ± .005 4 PLC ± - ± z	PRODUCT SPEC 108-40025	APPLICATION SPEC 114-40010	SIZE A1	CAGE CODE 00779	DRAWING NO 5747838
MATERIAL	FINISH	WEIGHT	CUSTOMER DRAWING	SCALE 4:1	SHEET 1 OF 1	REV 0