

THIS DRAWING IS UNPUBLISHED.

RELEASED FOR PUBLICATION

ALL RIGHTS RESERVED.

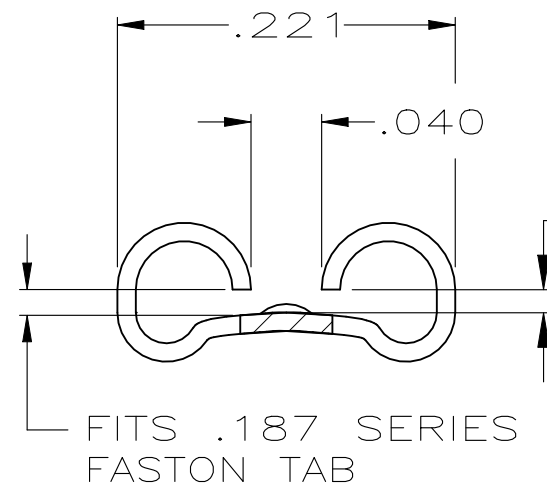
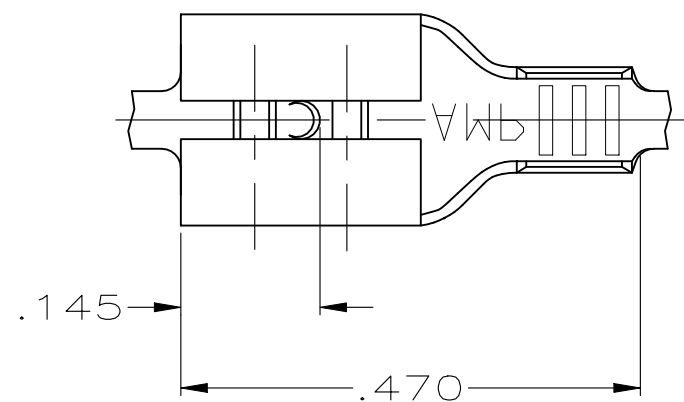
© COPYRIGHT - By -

LOC AF DIST 50

REVISIONS

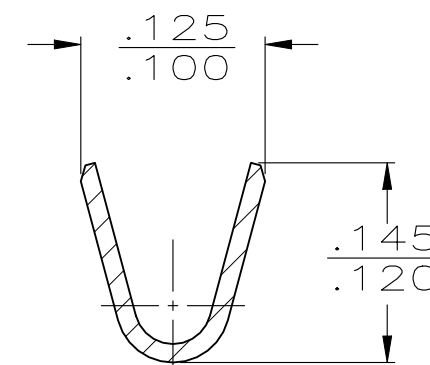
P	LTR	DESCRIPTION	DATE	DWN	APVD
	L2	REVISED PER ECN-22-144483	22MAR2022	MK	ES

1 CONTINUOUS STRIP ON REELS

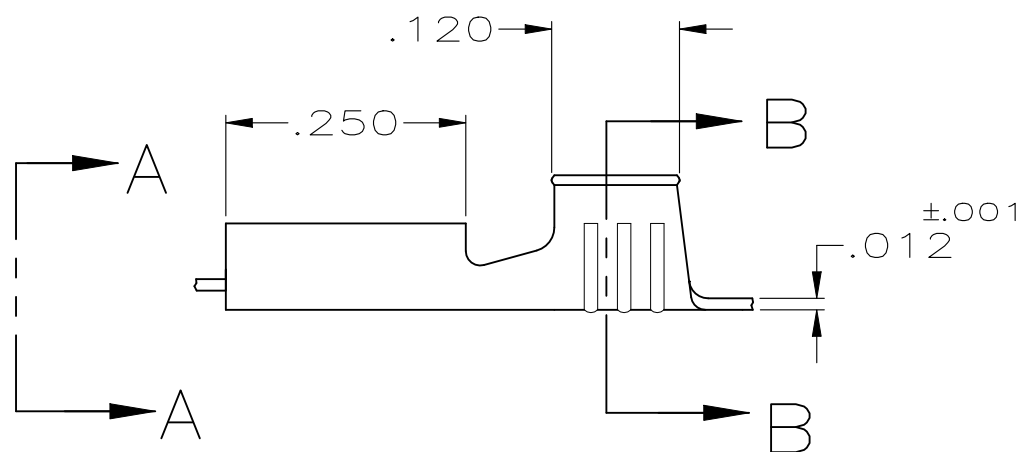


FITS .187 SERIES FASTON TAB

VIEW A-A SCALE 8:1



SECTION B-B SCALE 8:1



OBSOLETE	NICKEL	#2H STEEL	20-16	.021-.019	<del>42373-3</del>
	TIN	BRASS	20-16	.021-.019	42373-2
OBSOLETE	-	#4H BRASS	20-16	.020	<del>42373-1</del>
	FINISH	MATERIAL	WIRE SIZE	MATING TAB THK	PART NUMBER

.188	F	.090	.060	16
			.053	18
			.049	20
STRIP LENGTH ±.015	TYPE	WIDTH	±.002 HEIGHT	WIRE
WIRE BARREL CRIMP				

THIS DRAWING IS A CONTROLLED DOCUMENT.	
DIMENSIONS: INCHES	TOLERANCES UNLESS OTHERWISE SPECIFIED:
	0 PLC ± -
	1 PLC ± -
	2 PLC ± -
	3 PLC ± .015
	4 PLC ± - ± -
MATERIAL SEE TABLE	FINISH SEE TABLE

DWN	JR RUTH	7/14/89
CHK	MS FEHER	7/14/89
APVD	C MEYERS	7/14/89
PRODUCT SPEC	-	-
APPLICATION SPEC	-	-
WEIGHT	-	-
CUSTOMER DRAWING		

<b>STE</b> TE Connectivity			
NAME RECEPTACLE, FASTON™, .187 SERIES			
SIZE	CAGE CODE	DRAWING NO	RESTRICTED TO
A3	00779	C-42373	-
SCALE 5:1		SHEET 1 OF 1	REV L2