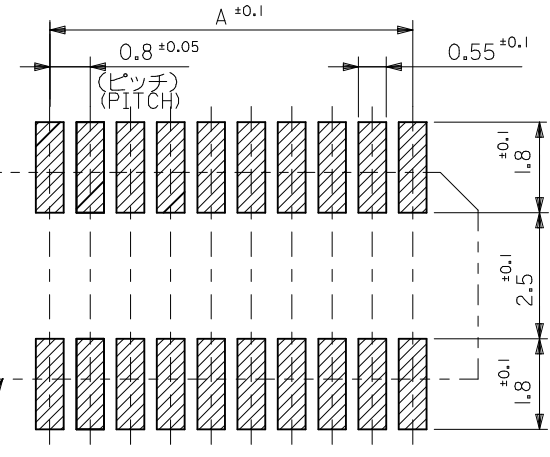
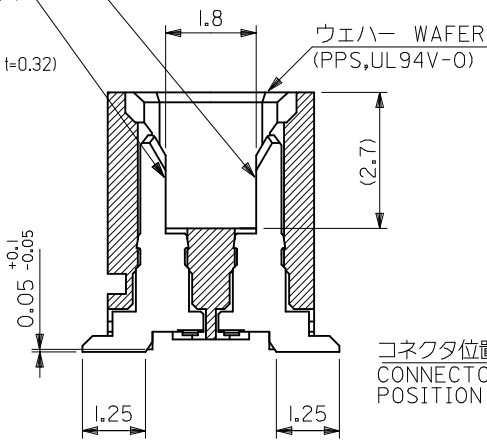
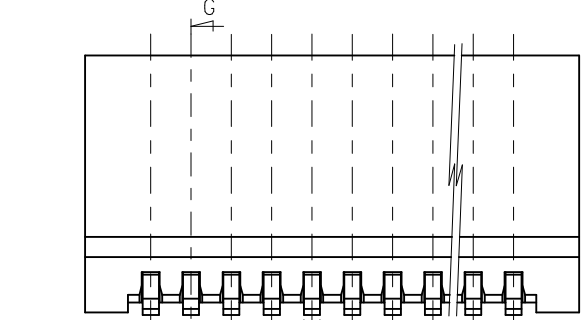


ピン PIN
 (リン青銅、ニッケル下地錫メッキ t=0.32)
 (PHOS-BRO. TIN-PLATED UNDER NICKEL PLATED t=0.32)
 回路番号 1 (表示用切欠き)
 CHAMFERING TO INDICATE CKT. NO.1



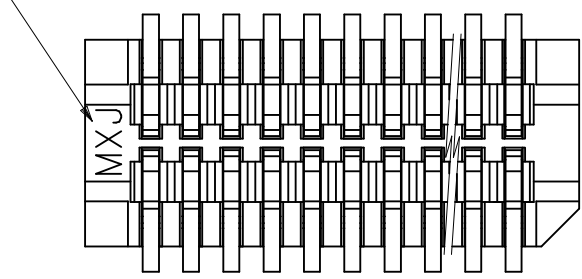
参考基板レイアウト (マウント面)
 P.C.B. PATTERN LAYOUT (REF.) (MOUNT AREA)



注記 NOTES

1. 嵌合相手 : 52465,52588 シリーズ
 MATES WITH : 52465,52588 SERIES
2. ウェハーの ϕ から隣接するピンの ϕ 迄の位置を示す。
 SHOW POSITION FROM ϕ OF WAFER TO ϕ OF ADJACENT PINS.
3. 本製品は 53364-**-27 の鉛フリー品である。
 THIS PRODUCT IS LEAD FREE OF 53364-**-27.

トレードマーク TRADE MARK



0.4	16.2	15.3	13.6	53364-3629	36
0.8	13.8	12.9	11.2	53364-3029	30
0.4	9.8	8.9	7.2	53364-2029	20
0.8	9.0	8.1	6.4	53364-1829	18
D	C	B	A	MATERIAL NO.	極数 CKT.

REVISED EC NO: J2016-1237 DRWN: MISHIKAWA CHKD: Y0110 APPR: Y0110	DESCRIPTION 2016/06/07 2016/06/07 2016/06/16	GENERAL TOLERANCES (UNLESS SPECIFIED)		DIMENSION STYLE	SCALE	DESIGN UNITS	THIRD ANGLE PROJECTION
		0.25 UNDER UNDER ±0.2		MM ONLY	10:1	METRIC	
		0.25 OVER 0.5 UNDER ±0.2		DRAWN BY	DATE	TITLE	
		0.5 OVER 1.0 UNDER ±0.2		M. NABEI	'04/03/09	0.8 BOARD TO BOARD CONN. WAFFER ASSY ST.SMT -LEAD FREE-	
1.0 OVER 10 UNDER ±---		CHECKED BY	DATE	SEE CHART	DOCUMENT NO. SD-53364-003	SHEET NO. 1 OF 2	
10 OVER 30 UNDER ±---		APPROVED BY	DATE				
30 OVER ±---		M. SASAO	'04/03/09				
ANGULAR ±1 °		MATERIAL NO.		THIS DRAWING CONTAINS INFORMATION THAT IS PROPRIETARY TO MOLEX ELECTRONIC TECHNOLOGIES, LLC AND SHOULD NOT BE USED WITHOUT WRITTEN PERMISSION			
DRAFT WHERE APPLICABLE MUST REMAIN WITHIN DIMENSIONS		SIZE					
		A3					

10 9 8 7 6 5 4 3 2 1

F

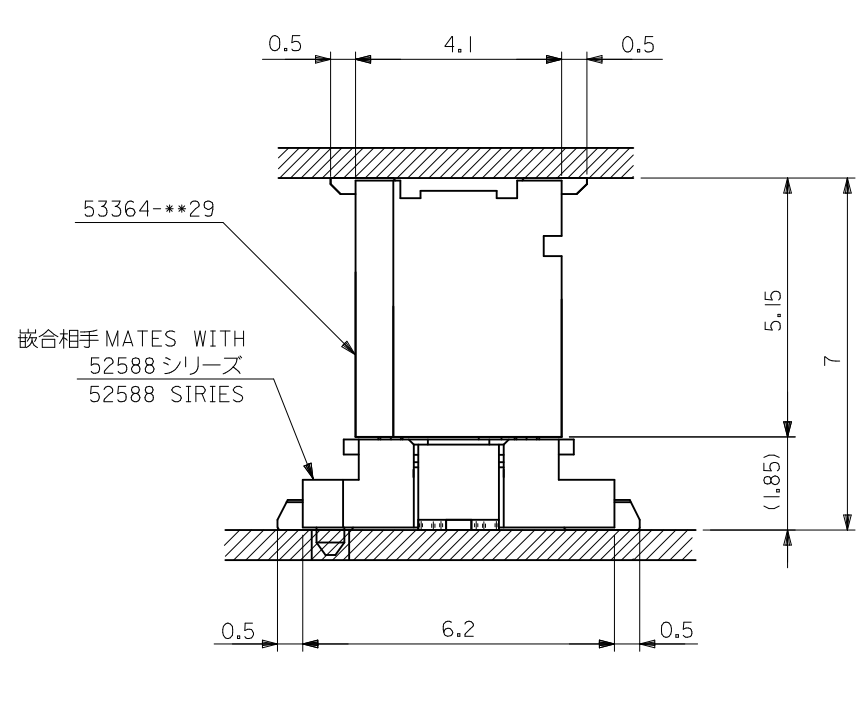
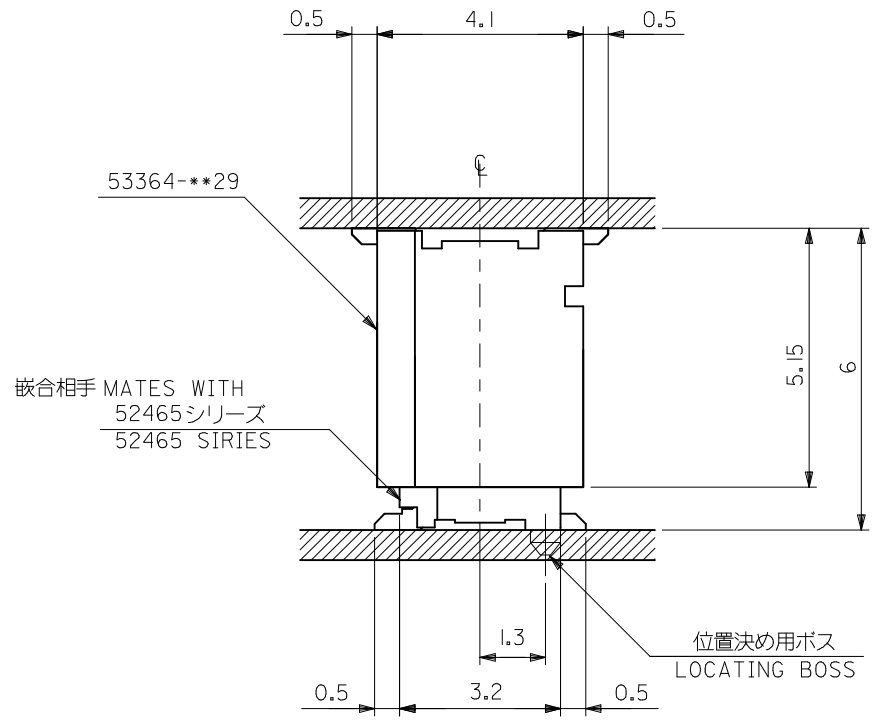
E

D

C

B

A



嵌合状態図 (参考)
MATED DRAWING (REF.)

REVISED EC NO: J2016-1237 DRW: M. NINOMIYA 2016/06/08 CHKD: Y. ITO 2016/06/08 APPR: Y. ITO 2016/06/16	GENERAL TOLERANCES (UNLESS SPECIFIED)			DIMENSION STYLE MM ONLY		SCALE	DESIGN UNITS METRIC	THIRD ANGLE PROJECTION
	0.25 UNDER	UNDER	±---	DRAWN BY	DATE	TITLE		
	0.25 OVER	0.5 UNDER	±---	M. NINOMIYA	'03/12/11	0.8 BOARD TO BOARD CONN. WAFER ASSY ST. SMT -LEAD FREE-		
	0.5 OVER	1.0 UNDER	±---	CHECKED BY	DATE	molex DOCUMENT NO. SD-53364-003 SHEET NO. 2 OF 2		
	1.0 OVER	10 UNDER	±---	K. TOJO	'03/12/11			
	10 OVER	30 UNDER	±---	APPROVED BY	DATE	THIS DRAWING CONTAINS INFORMATION THAT IS PROPRIETARY TO MOLEX ELECTRONIC TECHNOLOGIES, LLC AND SHOULD NOT BE USED WITHOUT WRITTEN PERMISSION		
	30 OVER		±---	M. SASAO	'03/12/11			
ANGULAR		±--- °	MATERIAL NO.		SEE SHEET 1			
DRAFT WHERE APPLICABLE MUST REMAIN WITHIN DIMENSIONS			SIZE A3					

9 8 7 6 5 4 3 2 1