



65W Power Delivery 3.0 Desktop Adapter with USB-C Plug



Features

- Power Delivery 3.0
- USB-C
- US DoE Level VI Efficiency Compliance
- Ecodesign/ErP Lot 7 (EU) 2019/1782 Compliance
- EU CoC Ver 5 Tier 2 Compliance
- OVP, OCP, OTP, Short Circuit Protections
- Class B EMI
- Limited Power Source (LPS)

Applications

- Mobile Phone
- Tablet
- Networking Device
- Monitor
- Notebook

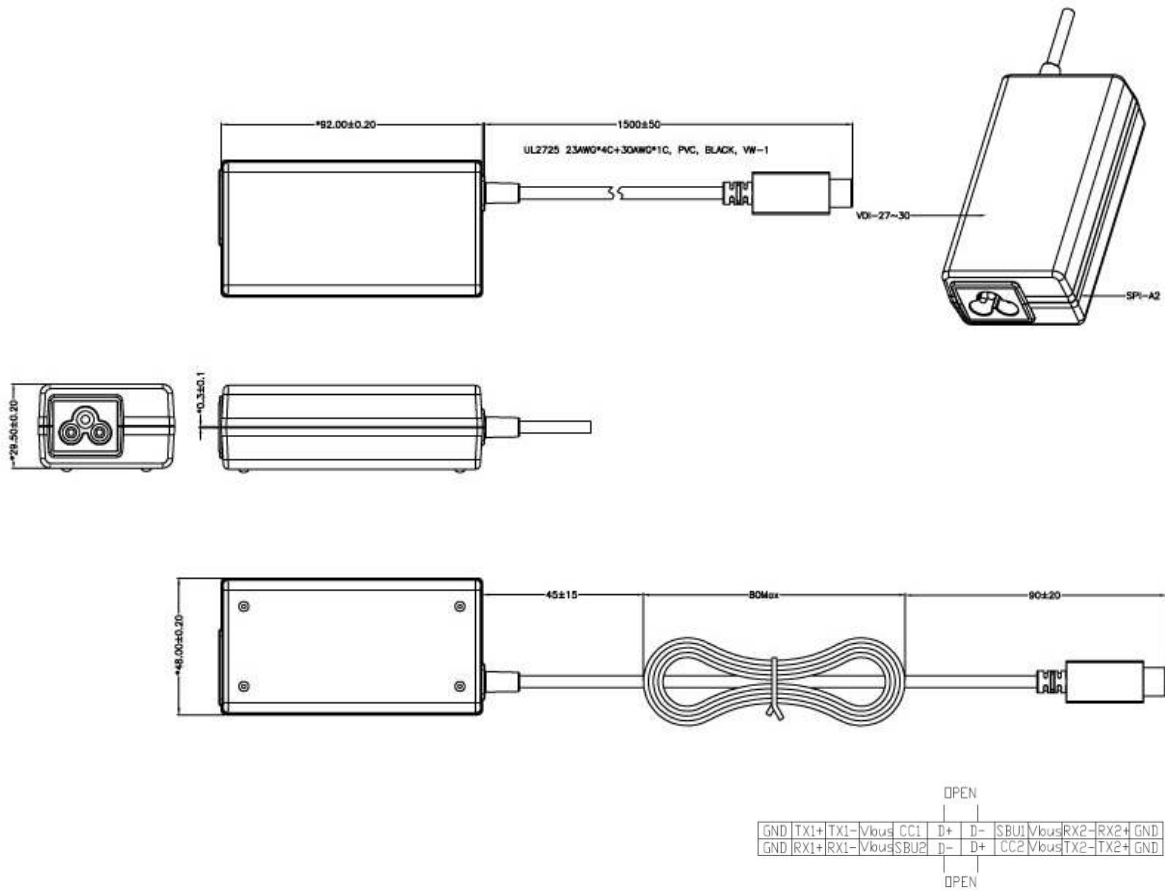


AA65 Series Specifications¹

Model		AA65M-59FKA-R	AA65W-59FKA-R
Output	DC Output Voltage	5.0V/9.0V/15.0V/20.0V	
	Max Current	3.0A/3.0A/3.0A/3.25A	
	Output Power	15.0W/27.0W/45.0W/65.0W	
	Regulation	± 5%	
	Ripple & Noise P-P(max) ²	200mV	
Input	AC Input Voltage Range	90 to 264VAC	
	AC Input Frequency	47 to 63Hz	
	Input Current	1.5A (RMS) max at 100VAC	
	No Load Power Consumption at 115VAC Input	0.0339W	
	No Load Power Consumption at 230VAC Input	0.0619W	
	115VAC Average Efficiency ³	5V: 87.51%, 9V: 90.80%, 15V: 91.6%, 20V: 90.888%	
	230VAC Average Efficiency ³	5V: 85.529%, 9V: 89.86%, 15V: 91.67%, 20V: 90.407%	
	230VAC 10% Load Efficiency ³	5V: 84.263%, 9V: 90.57%, 15V: 89.71%, 20V: 83.8175%	
	Leakage Current	100uA max at 240VAC/50Hz	
Protection	Over-Voltage	Auto recover. 130% max	
	Short Circuit	Auto recover. Output can be shorted permanently without damage.	
	Over-Current	Auto recover. Trigger point <130%	
Environmental	Operating Temperature	0°C to +40°C	
	Non-Operating Temperature	-30° to +85°C	
	Operating Humidity	90% RH max	
Safety Approvals and EMC	Dielectric Withstand (HI-POT)	Primary to Secondary: 3000VAC for 1min, 2mA	
	Insulation Resistance	Primary to Secondary: >100M ohm for 500VDC	
	Standards	cULus 62368-1, IEC 62368-1	
	EMI Emissions	FCC Part 15 Class B, CAN ICES-003(B)/NMB-003(B), EN 55032/CISPR 32 Class B Conducted and Radiated	
	Harmonic Current Emissions	IEC 61000-3-2	
	Voltage Fluctuations & Flicker	IEC 61000-3-3	
	Immunity	EN 55035/CISPR 35: IEC 61000-4-2 (+/- 8kV air, +/- 4kV contact), IEC 61000-4-3, IEC 61000-4-4, IEC 61000-4-5 (+/-1kV L-L, +/-2kV L-PE), IEC 61000-4-6, IEC 61000-4-8, IEC 61000-4-11	
Mechanical	Dimensions (L x W x H)	92.0mm (3.62in) x 48.0mm (1.89in) x 29.5mm (1.16in)	
	Weight	6.4oz	
	Cable Length	1500mm	
	DC Output Connector	USB Type C	
	Input Connector	IEC 60320 C6	IEC 60320 C8
Notes	<ol style="list-style-type: none"> The specifications defined are at ambient temperature of 25C, unless otherwise specified. 20MHz bandwidth frequency oscilloscope, add a 0.1µF multilayer Cap. and Low ESR Electrolytic Cap. (10µF) at output connector terminals (nominal line voltage, full load). Efficiency is measured after 30 minutes burn-in. 		

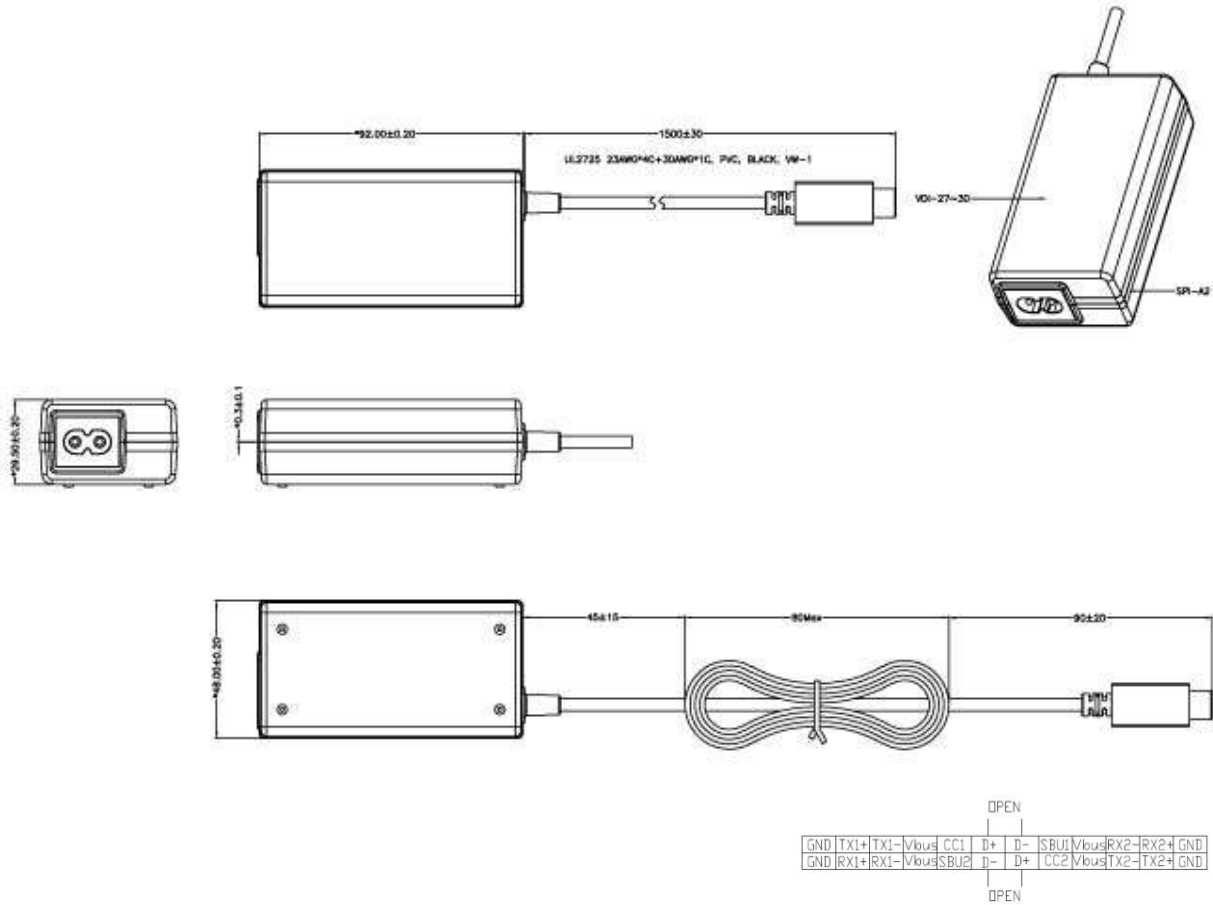


AA65M-59FKA-R Outline Drawing





AA65W-59FKA-R Outline Drawing





Supplier's Declaration of Conformity
47 CFR § 2.1077 Compliance Information

Phihong USA Corporation
47800 Fremont Boulevard
Fremont, CA 94538
Telephone: (510) 445-0100
www.phihong.com

This device complies with/The devices in this product series comply with part 15 of the FCC Rules. Operation is subject to the following two conditions: (1) This device may not cause harmful interference, and (2) this device must accept any interference received, including interference that may cause undesired operation.



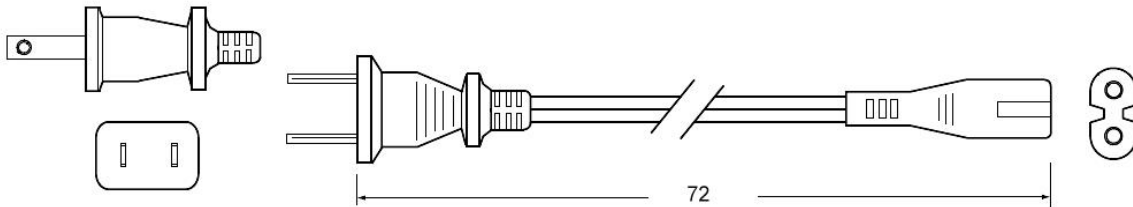
Line Cords - Sold Separately

Model		AC15WNA-R	AC15WEU-R	AC15WUK-R	AC30MNA-R
Specifications	Plug Type	North America NEMA 1-15P	Continental Europe CEE 7XVI	North America NEMA 5-15P	United Kingdom BS 1363
	Connector	IEC320 C7	IEC320 C7	IEC320 C6	IEC320 C7
	Wire Size	18 AWG	0.75mm	18 AWG	0.75mm
	Temperature	60°C	70°C	60°C	70 °C
	Amperage Rating	7A	2.5A	7A	5A
	Voltage Rating	125V	250V	125V	250V
	Cable Length	72mm	1830mm	1829mm	1830mm
Safety Approvals		CSA; UL	CEBEC; DEMKO; DVE; FIMKO; GOST; IMQ; KEMA; NEMKO; NF; OVE; SEMKO; SEV	BSI; Safety Mark	CSA; UL
Photos					

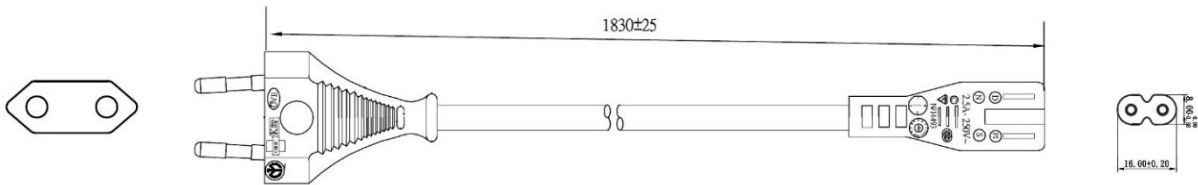


Line Cords - Outline Drawings

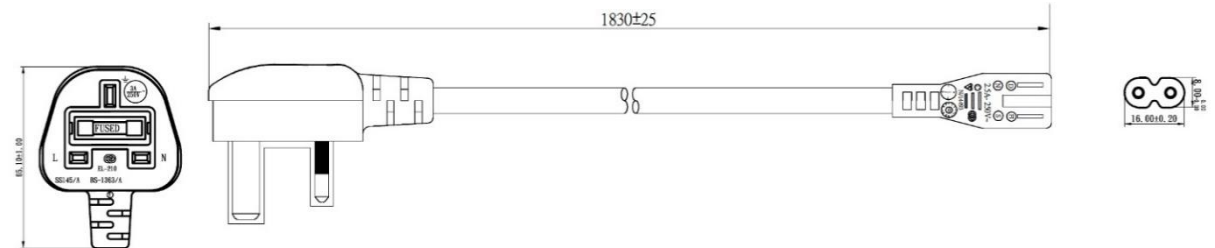
AC15WNA-R



AC15WEU-R



AC15WUK-R



AC30MNA-R

