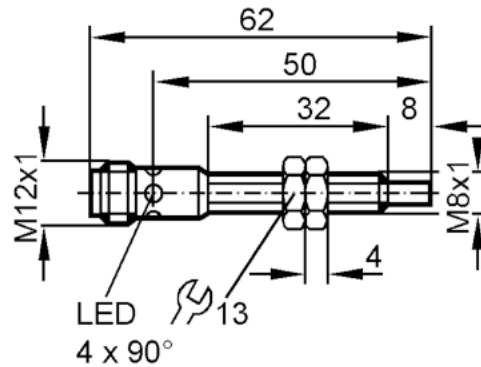


IE5331



Inductive sensor

IEK3004-BPKG/OELVER/US-104



Product characteristics

Electrical design	PNP
Output function	normally open
Sensing range [mm]	4
Housing	threaded type
Dimensions [mm]	M8 x 1

Electrical data

Operating voltage [V]	10...36 DC
Current consumption [mA]	15; (24 V)
Protection class	III
Reverse polarity protection	yes

Outputs

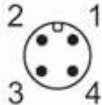
Electrical design	PNP
Output function	normally open
Max. voltage drop switching output DC [V]	2.5
Permanent current rating of switching output DC [mA]	250
Switching frequency DC [Hz]	300
Short-circuit protection	yes
Type of short-circuit protection	pulsed
Overload protection	yes

IE5331



Inductive sensor

IEK3004-BPKG/OELVER/US-104

Detection zone		
Sensing range	[mm]	4
Real sensing range Sr	[mm]	4 ± 10 %
Operating distance	[mm]	0...3.25
Accuracy / deviations		
Correction factor		steel: 1 / stainless steel: 0.7 / brass: 0.5 / aluminium: 0.4 / copper: 0.3
Hysteresis	[% of Sr]	1...10
Switch point drift	[% of Sr]	-10...10
Operating conditions		
Ambient temperature	[°C]	0...70
Protection		IP 67
Tests / approvals		
EMC		EN 60947-5-2
MTTF	[years]	1379
Embedded software included		yes
UL approval	Ta	-25...70 °C
	Enclosure type	Type 1
	power supply	Class 2
	File number UL	E174191
Mechanical data		
Weight	[g]	22.5
Housing		threaded type
Mounting		non-flush mountable
Dimensions	[mm]	M8 x 1
Thread designation		M8 x 1
Materials		housing: brass white bronze coated; LCP
Displays / operating elements		
Display	switching status	4 x 90° LED, yellow
Accessories		
Items supplied		lock nuts: 2
Remarks		
Pack quantity		1 pcs.
Electrical connection - plug		
Connector: 1 x M12; coding: A		
		

IE5331



Inductive sensor

IEK3004-BPKG/OELVER/US-104

Connection

