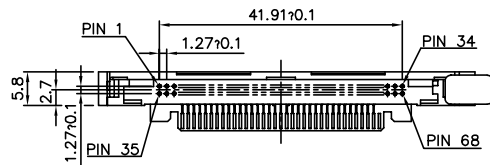
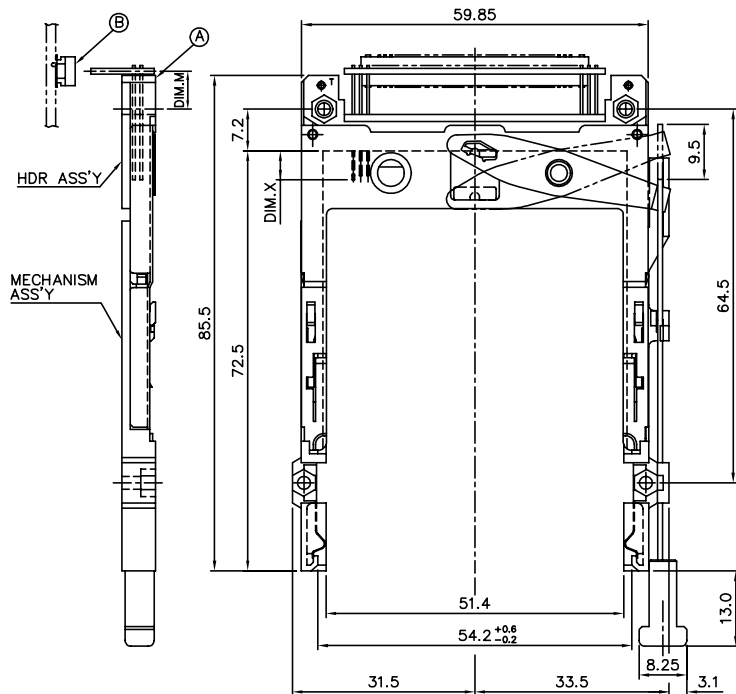
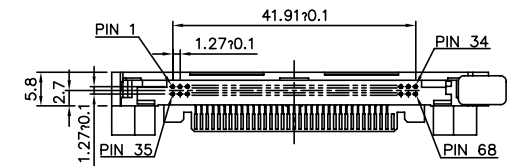
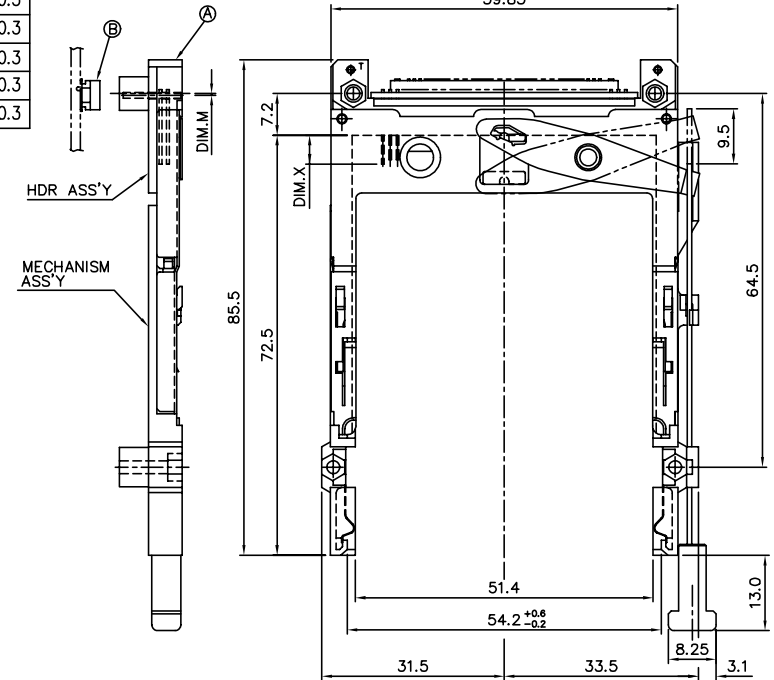


PRODUCT NO.	DIM.M
61125-005CA/005CALF	10.0
61125-025CA/025CALF	6.55
61125-045CA/045CALF	6.55
61125-055CA/055CALF	6.55
61125-025CAC/025CACLF	6.55
61125-045CAC/045CACLF	6.55
61125-055CAC/055CACLF	6.55



ABOVE P.C.B.
RIGHT PUSH ROD
(CAN'T BE USED FOR SINGLE DECK)

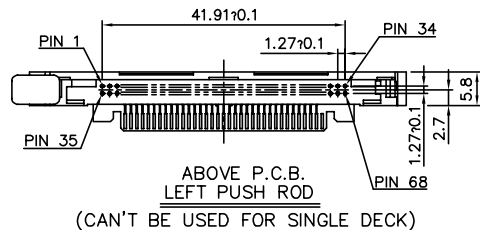
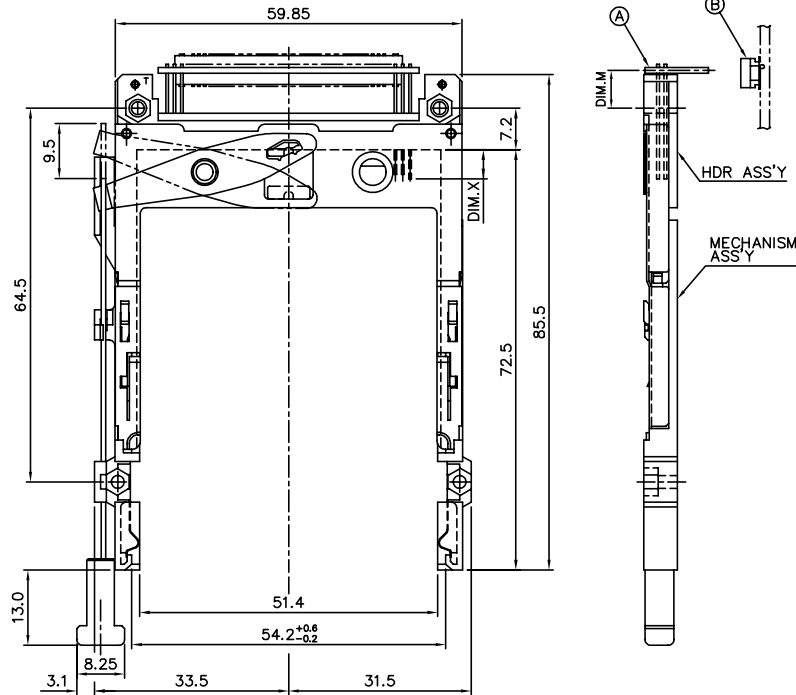
PRODUCT NO.	DIM.M
61125-020CA/020CALF	-0.3
61125-220CA/220CALF	2.15
61125-040CA/040CALF	-0.3
61125-050CA/050CALF	-0.3
61125-050CAN/050CANLF	-0.3
61125-020CAC/020CACLF	-0.3
61125-040CAC/040CACLF	-0.3
61125-050CAC/050CACLF	-0.3



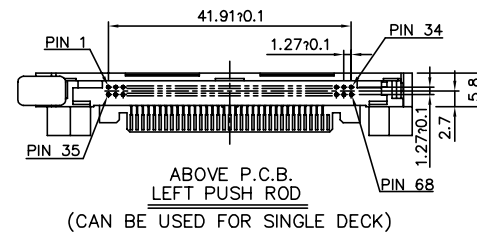
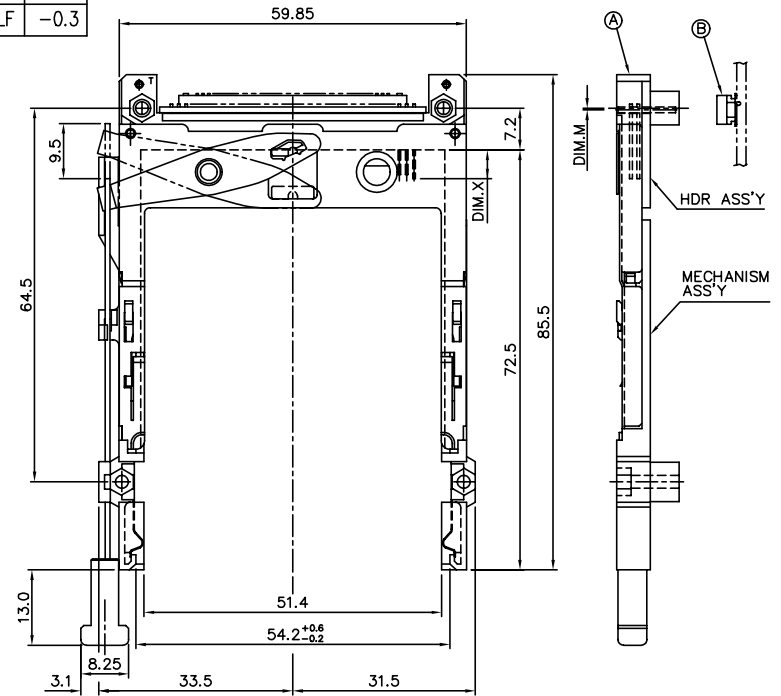
ABOVE P.C.B.
RIGHT PUSH ROD
(CAN BE USED FOR SINGLE DECK)

mat'l. code		surface		tolerance		projection		product family	
		ISO1302		ISO1101 ISO406		MM		PCMCIA	
l t r e c n n o d r		date		tolerances unless otherwise specified		scale		title	
J	N05-0063	WB	03/04/05	±0.30		1:2		EJECTOR HEADER ASS'Y	
K	N05-0140	WB	05/31/05					3.3V, SMT TYPE 1/2/3	
L	BLX-N-011397	ZK	04/02/12	0°±2'				sheet 1 of 6	
		dr		WENDY CHEN		07/11/95		size	
		eng		JOSEPH HSIA		07/11/95		A4	
		chr		JOSEPH HSIA		07/11/95		type	
		app		JENN TSAO		07/11/95		Product Customer Drawing	
sheet index	revision	L	L	L	L	L	L		
	sheet	1	2	3	4	5	6		

PRODUCT NO.	DIM.M
61125-105CA/105CALF	10.0
61125-125CA/125CALF	6.55
61125-145CA/145CALF	6.55
61125-155CA/155CALF	6.55

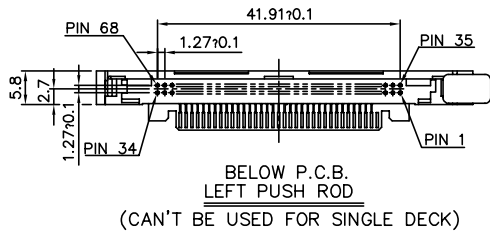
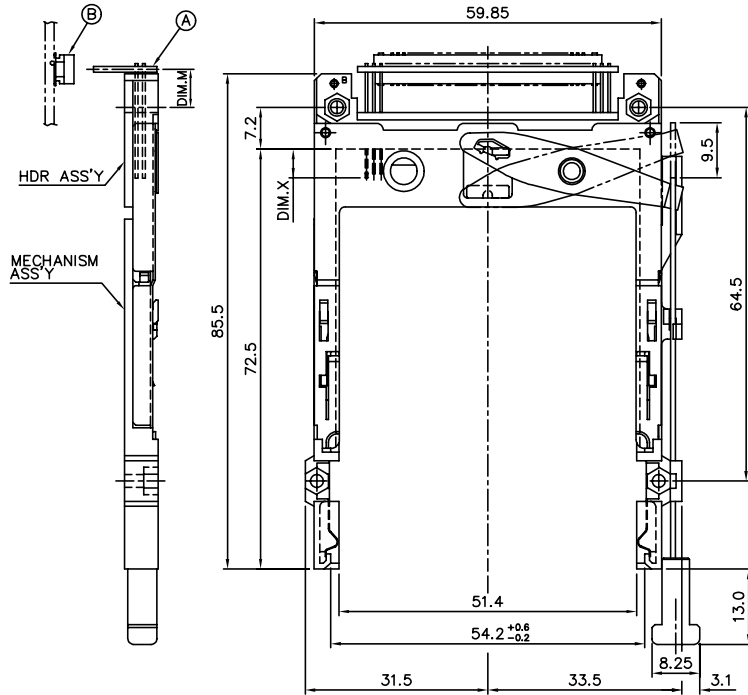


PRODUCT NO.	DIM.M
61125-120CA/120CALF	-0.3
61125-140CA/140CALF	-0.3
61125-150CA/150CALF	-0.3

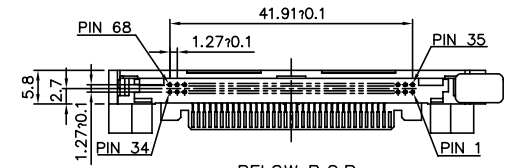
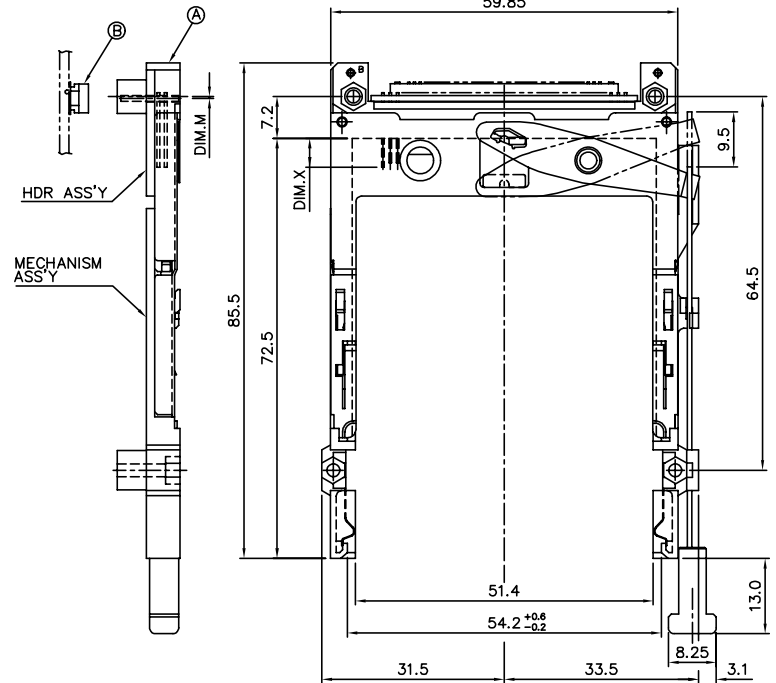


mat'l. code	surface ISO1302	tolerance ISO1101 ISO406	projection 	product family PCMCIA
ltr ecn nodr	date	tolerances unless otherwise specified	MM	EJECTOR HEADER ASS'Y 3.3V, SMT TYPE 1/2/3
L		angle 0°±2'	scale 1.2	sheet 2 of 6
	dr	WENDY CHEN 07/11/95		size A4
	eng	JOSEPH HSIA 07/11/95		dwg no 61125
	chr	JOSEPH HSIA 07/11/95		type Product Customer Drawing
	app'd	JENN TSAO 07/11/95		
sheet index	revision sheet			

PRODUCT NO.	DIM.M
61125-605CA/650CALF	10.0
61125-625CA/625CALF	6.55
61125-645CA/645CALF	6.55
61125-655CA/655CALF	6.55



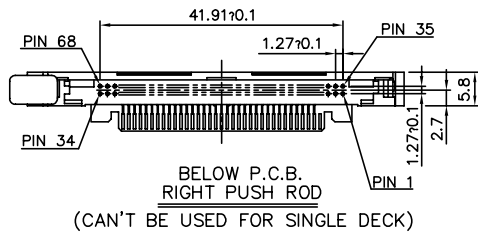
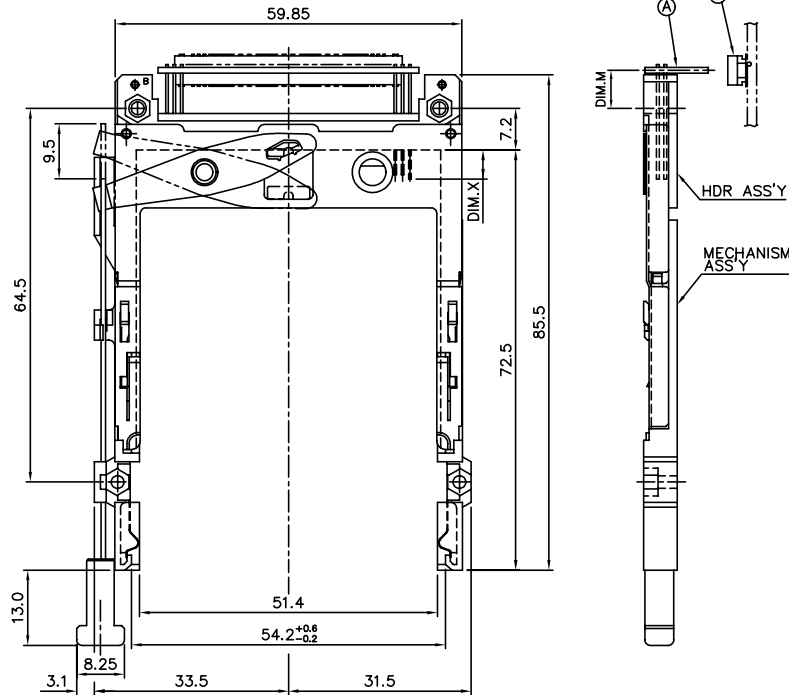
PRODUCT NO.	DIM.M
61125-620CA/620CALF	-0.3
61125-640CA/640CALF	-0.3
61125-650CA/650CALF	-0.3



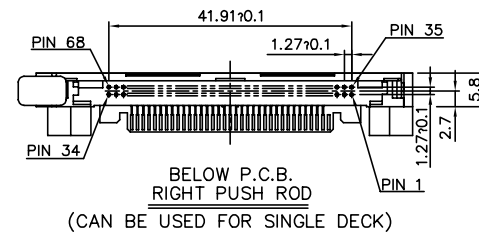
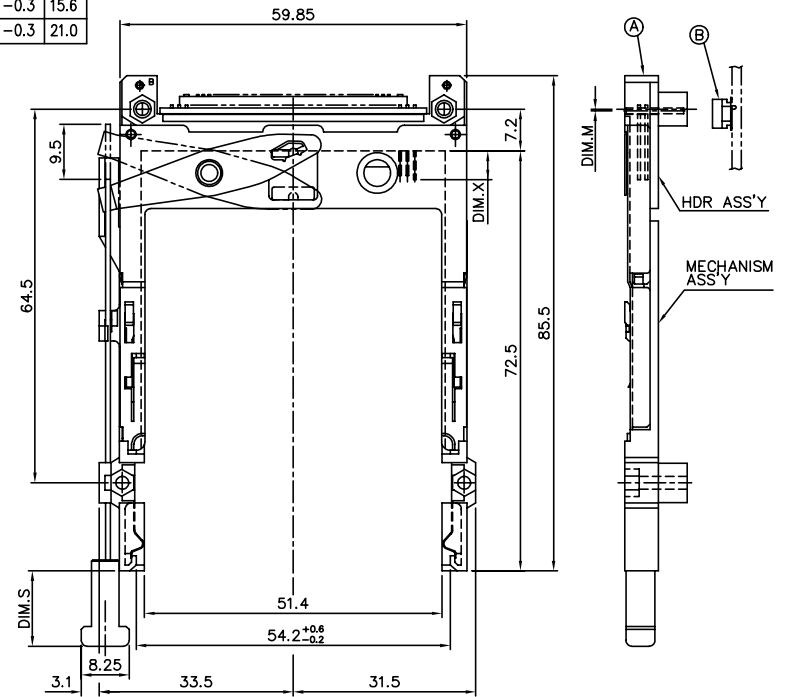
BELOW P.C.B.
LEFT PUSH ROD
(CAN BE USED FOR SINGLE DECK)

mat'l. code	surface ISO1302	tolerance ISO1101 ISO406	projection ASME Y14.5	product family PCMCIA
ltr ecn nodr date	tolerances unless otherwise specified			title EJECTOR HEADER ASS'Y 3.3V, SMT TYPE 1/2/3
L	angle 0°±2'	±0.30	MM	dwg no 61125
	scale 1:2			sheet 3 of 6 size A4
	dr WENDY CHEN 07/11/95		FCI	type Product Customer Drawing
	eng JOSEPH HSIA 07/11/95			
	chr JOSEPH HSIA 07/11/95			
	app'd JENN TSAO 07/11/95			
sheet index	revision sheet			

PRODUCT NO.	DIM.M
61125-505CA/505CALF	10.0
61125-525CA/525CALF	6.55
61125-545CA/545CALF	6.55
61125-555CA/555CALF	6.55



PRODUCT NO.	DIM.M	DIM.S
61125-520CA/520CALF	-0.3	13.0
61125-540CA/540CALF	-0.3	
61125-550CA/550CALF	-0.3	15.6
61125-520DA/520DALF	-0.3	
61125-520FA/520FALF	-0.3	21.0



mat'l. code	surface ISO1302	tolerance ISO1101 ISO406	projection ASME Y14.5	product family PCMCIA
l trechn nodr date	tolerances unless otherwise specified			EJECTOR HEADER ASS'Y 3.3V, SMT TYPE 1/2/3
L	angle 0°±2'	±0.30	MM	scale 1.2
dr	WENDY CHEN	07/11/95	FCI	dwg no
engr	JOSEPH HSIA	07/11/95		sheet 4 of 6
chr	JOSEPH HSIA	07/11/95		size
appd	JENN TSAO	07/11/95		A4
sheet index	revision sheet			type Product Customer Drawing

DESCRIPTION : ABOVE PCB, DECK AND PUSH ROD LOCATION ARE AS VIEW BY USER.

LOWER DECK					MATING RECEPTACLE	MOUNT STYLE TO PCB AND PUSH ROD SIDE
① PRODUCT NO.	STAND-OFF HIGH DIM. L	PUSH ROD LOCATION ②	P.C.B. SIDE ③	P.C.B. LAYOUT RECOMMENDED		
61125-020CA/020CALF	2.2	RIGHT	ABOVE	P/N: TA-1056	↑ RECEPTACLE PART NUMBER: 91931-31169 91931-31169LF ↓	
61125-220CA/220CALF	2.2	RIGHT	ABOVE	SEE PAGE 6		
61125-040CA/040CALF	4.3	RIGHT	ABOVE	SEE DRAWING P/N: TA-1056		
61125-050CA/050CALF	5.0					
61125-050CAN/050CANLF	5.0					
61125-020CAC/020CACLF	2.2					
61125-040CAC/040CACLF	4.3					
61125-050CAC/050CACLF	5.0					
61125-120CA/120CALF	2.2	LEFT	BELOW	SEE DRAWING P/N: TA-1056		
61125-140CA/140CALF	4.3					
61125-150CA/150CALF	5.0					
61125-520CA/520CALF	2.2					
61125-520FA/520FALF	2.2	RIGHT	BELOW	SEE DRAWING P/N: TA-1056		
61125-520DA/520DALF	2.2					
61125-540CA/540CALF	4.3					
61125-550CA/550CALF	5.0					
61125-620CA/620CALF	2.2	LEFT	BELOW	SEE DRAWING P/N: TA-1056		
61125-640CA/640CALF	4.3					
61125-650CA/650CALF	5.0					

NOTES:

- 8mm MIN. CARD EJECT.
- EJECT TRAVEL: 9.5mm
- PUSH ROD LOCATION AND P.C.B. SIDE ARE AS APPEARS INSTALLED.

4. MATERIAL

4.1 HEADER ASS'Y:

PLASTIC : HOUSING ...HIGH TEMPERATURE THERMOPLASTIC UL94V-0 BLACK
PIN : PHOSPHOR BRONZE
PCB : FR4

4.2 EJECT MECHANISM ASS'Y:

PLASTIC : GUIDE: HIGH TEMPERATURE THERMOPLASTIC UL94V-0 BLACK
: BUTTON: HIGH TEMPERATURE THERMOPLASTIC UL94V-0 BLACK
PLATE AND PUSH ROD : STAINLESS
EMI CONTACT: PHOSPHOR BRONZE

5. FINISH (PIN)

UNDER PLATING : 0.5µm MIN. Ni
CONTACT AREA : 0.076 µm MIN. GOLD

SOLDER TAIL (FOR TIN LEAD OPTION) : 2.5µm MIN. Sn-Pb
SOLDER TAIL (FOR LEAD FREE OPTION) : 2.5µm MIN. PURE TIN

6. DIM "X"

4.25±0.1	3.5±0.1	5.0±0.1
OTHERS	36,67	1,17,34,35,51,68

7. FOR P/N: 61125-050CAN AND 61125-050CANLF:

- TIGHTENING TORQUE OF SCREW: 1.5 ~ 2.0 Kgf-cm
- LUBRICANT SHOULD BE SPREAD TO MATING AREA OF PINS.

- IF LEAD FREE P.N. THE HOUSING WILL WITHSTAND EXPOSURE TO 260°C PEAK TEMPERATURE FOR 10 SECONDS IN A WAVE SOLDER APPLICATION WITH A 1.00MM MINIMUM THICK CIRCUIT BOARD.
- IF LEAD FREE P/N. THE PRODUCT MEETS EUROPEAN UNION DIRECTIVES AND OTHER COUNTRY REGULATIONS AS DISCRIBLED IN GS-22-008
- LEAD FREE P/N PACKAGING MEETS GS-14-920 SPECIFICATION
- PART NUMBER 61125-***CAC, -***CACLF IS FOR CISCO
- PRODUCT SPEC: 110-263

ORDERING INFORMATION

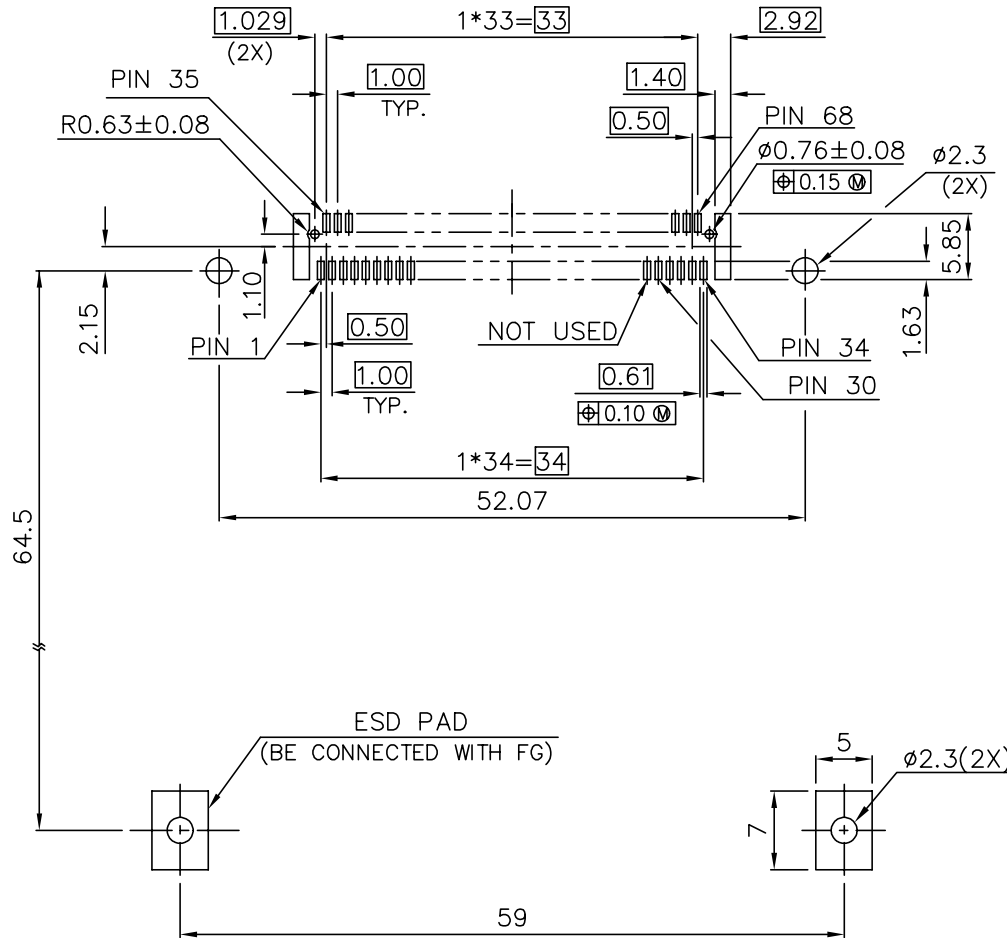
NAME	PART NO.		Q'TY
① EJECT HEADER ASS'Y	61125-****	61125-****LF	1
② MATING RECEPTACLE	91931-31169	91931-31169LF	1

UPPER DECK					MATING RECEPTACLE	MOUNT STYLE TO PCB AND PUSH ROD SIDE
① PRODUCT NO.	JOINT WITH LOWER DECK STAND-OFF HIGH (DIM. L)	PUSH ROD LOCATION ②	P.C.B. SIDE ③	P.C.B. LAYOUT RECOMMENDED		
61125-005CA/005CALF	0.0	RIGHT	ABOVE	SEE DRAWING P/N: TA-1056	↑ RECEPTACLE PART NUMBER: 91931-31169 91931-31169LF ↓	
61125-025CA/025CALF	2.2					
61125-045CA/045CALF	4.3					
61125-055CA/055CALF	5.0					
61125-025CAC/025CACLF	2.2					
61125-045CAC/045CACLF	4.3					
61125-055CAC/055CACLF	5.0	LEFT	BELOW	SEE DRAWING P/N: TA-1056		
61125-105CA/105CALF	0.0					
61125-125CA/125CALF	2.2					
61125-145CA/145CALF	4.3					
61125-155CA/155CALF	5.0	RIGHT	BELOW	SEE DRAWING P/N: TA-1056		
61125-505CA/505CALF	0.0					
61125-525CA/525CALF	2.2					
61125-545CA/545CALF	4.3					
61125-555CA/555CALF	5.0					
61125-605CA/605CALF	0.0					
61125-625CA/625CALF	2.2	LEFT	BELOW	SEE DRAWING P/N: TA-1056		
61125-645CA/645CALF	4.3					
61125-655CA/655CALF	5.0					

NOTES:

- IT CAN'T BE USED FOR SINGLE DECK.
- IT MUST BE ASSEMBLED BY USER FOR DOUBLE DECK APPLICATION. (PLEASE REFER TO P/N 61124)

mat'l. code	surface ISO1302 ✓	tolerance ISO1101 ISO406	projection ④	product family PCMCIA
l trechnodr	date	tolerances unless otherwise specified	MM	EJECTOR HEADER ASS'Y
L		±0.30	scale 1.2	3.3V, SMT TYPE 1/2/3
		0°±2'		dwg no
	dr WENDY CHEN 07/11/95			sheet 5 of 6
	engr JOSEPH HSIA 07/11/95			size
	chr JOSEPH HSIA 07/11/95			61125
	app JENN TSAO 07/11/95			A4
sheet	revision			type Product Customer Drawing
index	sheet			



BOARD VIEW FROM CONNECTOR MOUNTED SIDE
TOP OF BOARD IN APPLICATION

FOR 61125-220CA/220CALF ONLY

mat'l. code		surface <input checked="" type="checkbox"/> ISO1302		tolerance <input checked="" type="checkbox"/> ISO1101 <input checked="" type="checkbox"/> ISO406		projection		product family PCMCIA	
ltr ecn nodr date		tolerances unless otherwise specified		MM		scale 1.2		EJECTOR HEADER ASS'Y 3.3V, SMT TYPE 1/2/3	
L		angle 0°±2'		±0.30		FCI logo		dwg no 61125 sheet 6 of 6 size A4	
		dr WENDY CHEN 07/11/95		eng JOSEPH HSIA 07/11/95		chr JOSEPH HSIA 07/11/95		app JENN TSAO 07/11/95	
sheet index		revision sheet						type Product Customer Drawing	