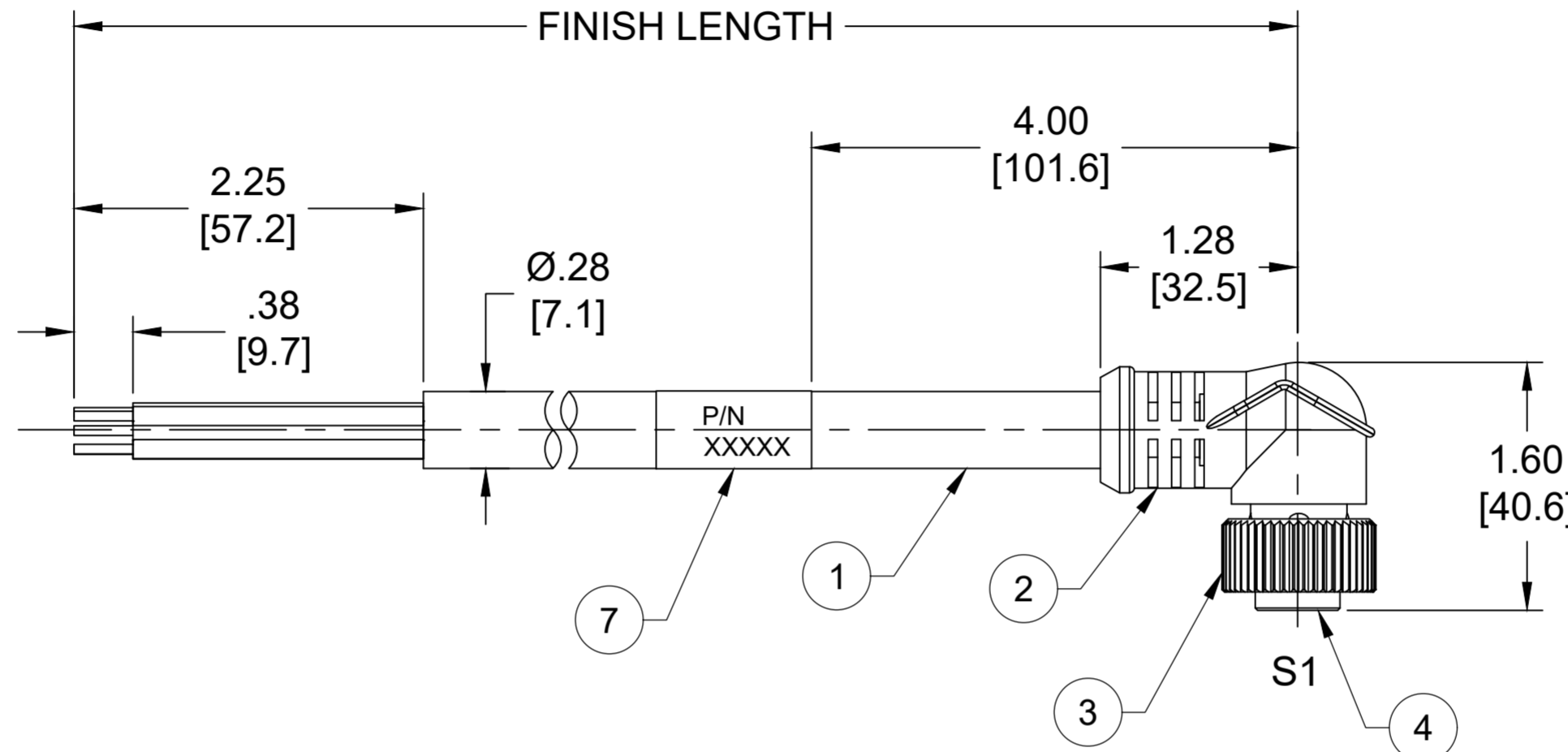
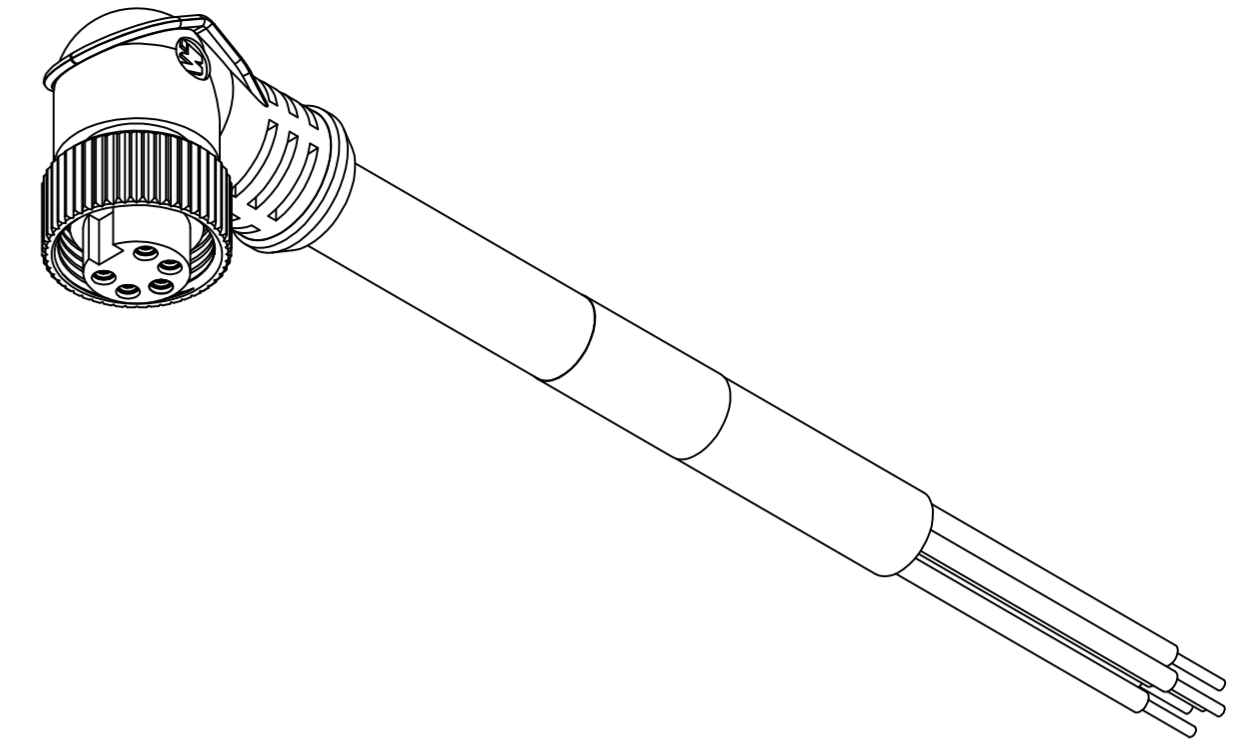


PART NO.	ENGINEERING NO.	FINISHED LENGTH
1300061402	105001A07M010	1M [3FT 3 IN]
1300061409	105001A07M050	5M [16FT 5 IN]
1300061413	105001A07M150	15M [49FT 3 IN]

## PART NUMBER LEGEND

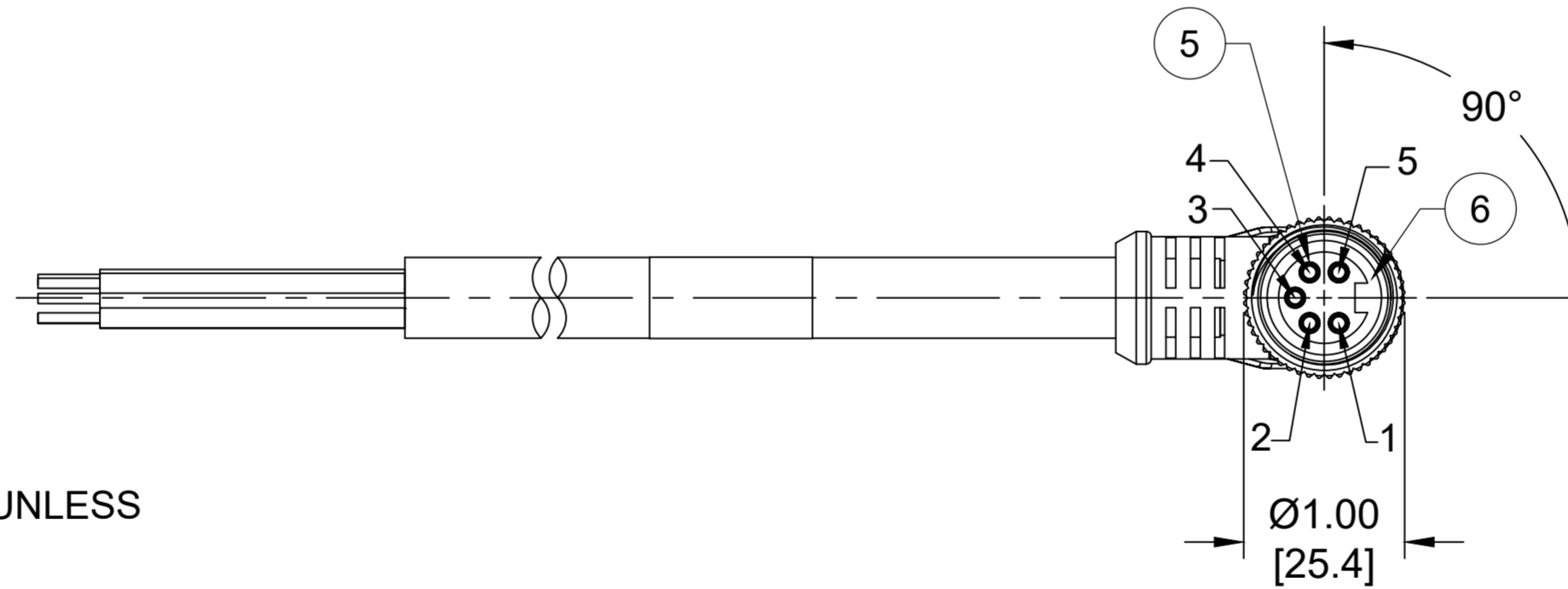
105001A07M010

CABLE LENGTH  
M000 = 0.5 METER  
M010 = 1 METER  
M100 = 10 METER



### NOTES:

- MATERIAL: AS NOTED
- FINISH: AS NOTED
- ELECTRICAL:  
VOLTAGE : 300V  
CURRENT: 4A
- TEMP RATING: -20° TO +105°C
- PROTECTION: IP67 (WHEN MATED)
- COUPLING THREAD: 7/8"-16UN
- CSA CERTIFIED FILE: LR6837
- ALL DIMENSIONS ARE FOR REFERENCE UNLESS TOLERANCED OR NOTED OTHERWISE



### FEMALE FACE VIEW

	S1
BLACK	1
BLUE	2
GREEN/YELLOW-GND	3
BROWN	4
WHITE	5

### WIRING DIAGRAM

CABLE LENGTH TOLERANCES
<.3M [1FT]: +19mm-0 [+.75in-0]
.3 - .9M [1 - 3FT]: +44.5mm-0 [+1.75in-0]
.9 - 1.8M [3 - 6FT]: +55.6mm-0 [+2.19in-0]
1.8 - 3.7M [6 - 12FT]: +88.9mm-0 [+3.50in-0]
3.7 - 7.3M [12 - 24FT]: +165.1mm-0 [+6.50in-0]
7.3-14.6M [24 - 48FT]: +317.5mm-0 [+12.50in-0]
14.6 - 30.5M [48-100FT]: +622.3mm-0 [+24.50in-0]
OVER 30M [100FT] +2% OF FINISHED LENGTH

ITEM	COMPONENT	MATERIAL	FINISH
7	WRAP LABEL	VINYL	BLACK/YELLOW
6	FRICITION RING	NYLON	WHITE
5	CONTACT SOCKET	COPPER ALLOY	GOLD OVER NICKEL
4	INSERT	TPE	YELLOW
3	COUPLING NUT	ZINC DIE CAST	BLACK-E-COAT
2	OVERMOLD	TPE	YELLOW
1	CABLE, 20 AWG	PVC	YELLOW

FUNCTIONAL SYMBOLS	THIS DRAWING CONTAINS INFORMATION THAT IS PROPRIETARY TO MOLEX ELECTRONIC TECHNOLOGIES, LLC AND SHOULD NOT BE USED WITHOUT WRITTEN PERMISSION		
FA=0	DIMENSION UNITS	SCALE	CURRENT REV DESC: ITEM# 2 & 4 WERE PVC. ADDED ITEM #6. MODIFIED TEMP RATING & PN CHART. REMOVED IEC & UL FROM NOTES.
FC=0	INCH/MM	NTS	
FD=0	GENERAL TOLERANCES (UNLESS SPECIFIED)		
DIVISIONAL SYMBOLS	mm	INCH	EC NO: 698916
	4 PLACES ±----	±----	DRWN: ABENJAMINLW 2021/05/21
	3 PLACES ±----	±----	CHK'D: RSTONE 2022/03/09
	2 PLACES ±----	±----	APPR: BWOODMAN 2022/03/11
	1 PLACE ±----	±----	INITIAL REVISION:
	0 PLACES ±----	±----	DRWN: BWOODMAN 2009/12/30
	ANGULAR TOL ± ---- °		APPR: JFMURPHY 2010/01/08
	DRAFT WHERE APPLICABLE MUST REMAIN WITHIN DIMENSIONS	THIRD ANGLE PROJECTION	DRAWING SERIES
		C-SIZE	130006
		MATERIAL NUMBER	CUSTOMER
		SEE CHART	GENERAL MARKET
		DOCUMENT NUMBER	DOC TYPE/DOC PART/REVISION
		SD-130006-033	PSD 001 C
		SHEET NUMBER	1 OF 1