

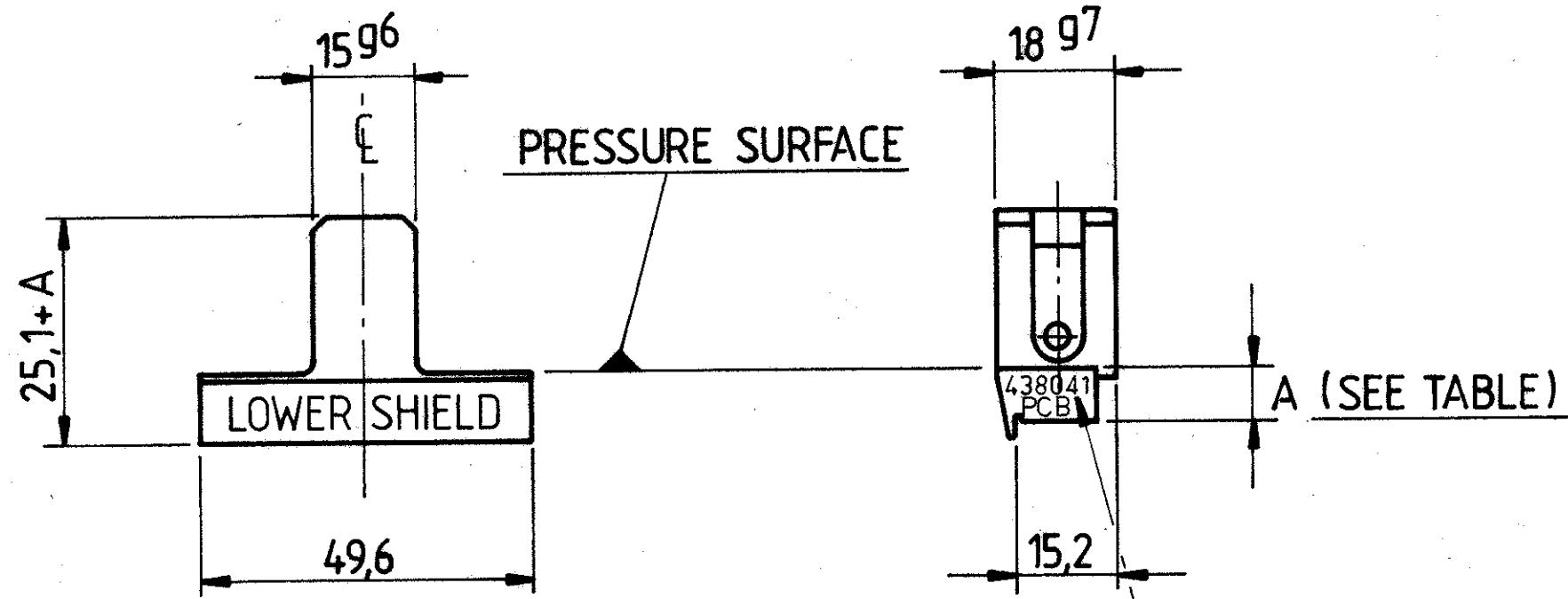
SHOW PART NR & VENDOR IN AREA MARKED X
(INCLUDE DASH NR & REVISION LTR)

NOT YET RELEASED

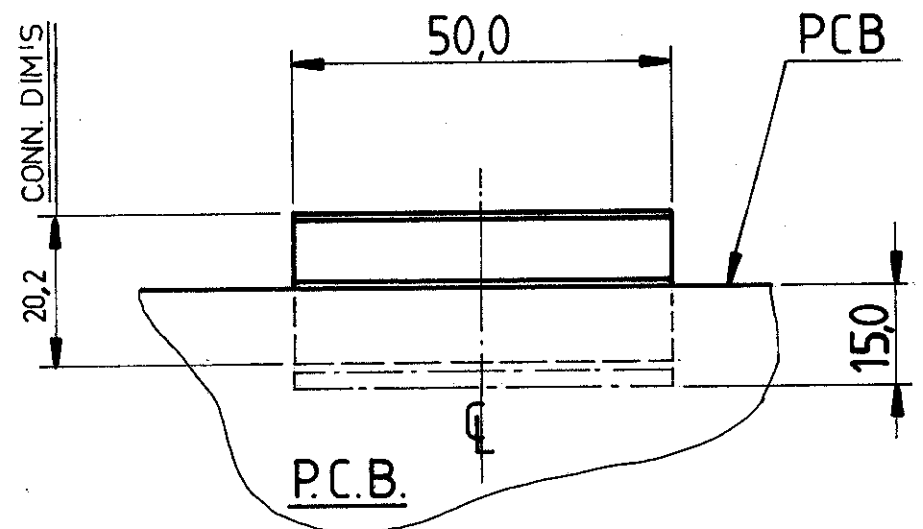
USED ON

NO
C - 438041

THIS INFORMATION IS CONFIDENTIAL AND IS DISCLOSED TO YOU ON CONDITION THAT NO FURTHER DISCLOSURE IS MADE BY YOU TO OTHER THAN AMP PERSONNEL WITHOUT WRITTEN AUTHORIZATION FROM AMP-HOLLAND B.V.



PART NUMB	A	PCB THICKNESS
438041-1	7,80	1,4 mm
-2	8,00	1,6 mm
-3	8,80	2,4 mm
-4	9,60	3,2 mm
-5		
-6	8,61	2,21mm
-7	8,55	2,15mm
-8	9,10	2,70mm
-9	8,40	2,00mm
1-438041-0		



438041 - [] (DASH NUMBER)
P.C.B. [] (PCB THICKNESS)

INSERT NUMBER

ALL DIMENSIONS FOR REFERENCE ONLY

DISTR

FREE STATE AREA

DWG SIZE	PART NO	DESCRIPTION	ITEM NO
QTY REQD PER ASSY		PARTS LIST	
TOLERANCES UNLESS OTHERWISE SPECIFIED. REMOVE BURSS. ANGLES ± 0°30'		MATERIAL (W. ST. NR.)	HEAT TREAT
DIMENSIONS IN		FINISH NICKEL PLATED	
INCHES		DR. C.V.ZOELN	First used
MILLIMETRES		CHK. C.V.Z. 5/1-96	AMP
.00 ± 0,02		AMP-HOLLAND B.V.	
.0 ± 0,2		's-Hertogenbosch, The Netherlands	
.000 ± 0,02		NAME -INSERT-LOWERSHIELD (50mm)	
.0000 ± 0,005		SCALE	SHEET OF
		LOC H	SIZE A3
		NO C-438041	REV A00

AS UF 2003 R6-175

LTR	REVISION RECORD	ECN	DATE	LTR	REVISION RECORD	ECN	DATE
8				7			
				6			
				5			
				4			
				3			
				2			
				1			