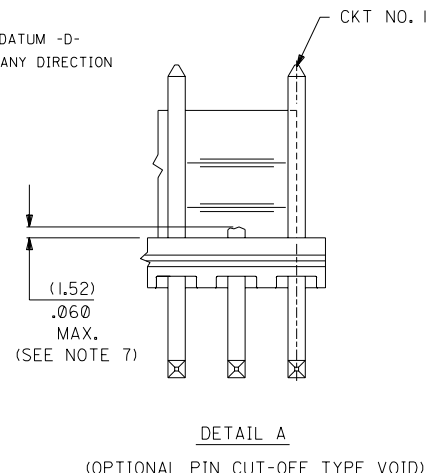


- NOTES:
- PRECEDING ENG. NO. IN CHART DESIGNATES STANDARD PRODUCT.
  - SOLDERABILITY: WHEN PARTS ARE SOLDERED AT A TEMPERATURE OF 230°C (446°F) FOR 5 SECONDS, EACH SOLDERED SURFACE SHALL BE A MINIMUM OF 95% COVERED WITH A SMOOTH CONTINUOUS ADHERENT COATING. FOR OTHER INFORMATION SEE ES-152.
  - PIN PUSH OUT FORCE: PRIOR TO SOLDERING, A 3 POUND MINIMUM FORCE (IN EITHER DIRECTION) SHALL BE REQUIRED TO PUSH THE PIN OUT OF THE HEADER.
  - FOR ADDITIONAL INFORMATION AND TESTING PROCEDURES SEE PS-08-50.
  - PARTS ARE STACKABLE END TO END ON (3.96)/.156 CENTERS.
  - FOR PART WITH PEGS SEE DWG NO. SDA-42492
  - BURRS DUE TO CUTTING OFF OF PINS MUST NOT VARY FROM CENTERLINE OF PIN AT DATUM -D- BY MORE THAN .008 IN ANY DIRECTION.



NO. OF CKT'S.	DIM. A	DIM. B
2	(3.96±.05) .156±.002	(7.77) .306
3	(7.92±.08) .312±.003	(11.73) .462
4	(11.89±.08) .468±.003	(15.70) .618
5	(15.85±.10) .624±.004	(19.66) .774
6	(19.81±.10) .780±.004	(23.62) .930
7	(23.77±.10) .936±.004	(27.58) 1.086
8	(27.74±.13) 1.092±.005	(31.55) 1.242
9	(31.70±.13) 1.248±.005	(35.51) 1.398
10	(35.66±.13) 1.404±.005	(39.47) 1.554
11	(39.62±.15) 1.560±.006	(43.43) 1.710
12	(43.59±.15) 1.716±.006	(47.40) 1.866
13	(47.55±.15) 1.872±.006	(51.36) 2.022
14	(51.51±.18) 2.028±.007	(55.32) 2.178
15	(55.47±.18) 2.184±.007	(59.28) 2.334
16	(59.44±.18) 2.340±.007	(63.25) 2.490
17	(63.40±.20) 2.496±.008	(67.21) 2.646
18	(67.36±.20) 2.652±.008	(71.17) 2.802

MATERIAL: HEADER: GLASS FILLED POLYESTER, 94V-0, MOLDED NATURAL (WHITE).  
PIN: BRASS

PLATINGS:  
(102) ELECTRO TIN .000450/.000200 OVER .000200/.000100 COPPER  
(567) SELECT GOLD 15 M.I. MIN, SELECT TIN/LEAD 100 M.I. MIN., OVER NICKEL  
(569) SELECT GOLD 30 M.I. MIN, SELECT TIN/LEAD 100 M.I. MIN., OVER NICKEL  
FOR ADDITIONAL INFORMATION SE SDES-88.

REL SHT 5 UCP2003-0755 11/6/2002 SAMIEC	E2	DIMENSIONS SHOWN (METRIC) INCH UNLESS OTHERWISE SPECIFIED TOLERANCES: ANGULAR ± 1/2°	▽ = 0 ▽ = 0 REVISE ONLY ON CAD SYSTEM
REL SHT 4 UCR2002-0555 12/17/01 SAMIEC	E1	3 PLACE ± 2 PLACE ± 1 PLACE ±	TITLE FRICITION LOCK HEADER ASS'Y .156 Q BENT SQ PINS, W/O PEGS 41792 SERIES DWG.
ADD PACK SPEC UCR2002-0087 7/26/01 SAMIEC	E	DRAFT WHERE APPLICABLE MUST REMAIN WITHIN DIMENSIONS	MOLEX INCORPORATED LITSE, ILL. 60532 U.S.A. SHEET NO. 1 OF 6 DATE 09/09/87
DRWG. BY SAMIEC APP'D. BY LENZ	CHK'D. BY PATEL SCALE :	SEE CHART	SDA-41792
FILE NAME S41792X1	THIS DRAWING CONTAINS INFORMATION THAT IS PROPRIETARY TO MOLEX INC. AND SHOULD NOT BE USED WITHOUT WRITTEN PERMISSION.	DRWG. NO.	DIV. SIZE KK C
REVISIONS	REVISIONS		

6	E
5	E2
4	E1
3	E
2	E
1	E2

	13	12	11	10	9	8	7	6	42472	4	3	2	1	
	ENG. NO.	HEADER NO.	PIN NO.	PLATING	DIM. L	DIM. X	DIM. G GOLD	DIM. Y	DIM. Z	DIM. T TIN	DIM. W	NO OF CKTS	VOID CKTS	PACKAGING
J	A-41792-0198/0213	41790-0002/0018	2161-37(102)	102	(27.94) 1.100	(11.43) .450	( ) N/A	(5.41) .213	(3.96 ) .156	( ) OVERALL	90°	3-18	2	BULK PER PK-41792-002
	A-41792-0214/0227	41790-0002/0018	2161-37(102)	102	(27.94) 1.100	(11.43) .450	( ) N/A	(5.41) .213	(3.96 ) .156	( ) OVERALL	90°	5-18	5	BULK PER PK-41792-002
	A-41792-0242/0257	41790-0002/0018	2161-37(102)	102	(27.94) 1.100	(11.43) .450	( ) N/A	(5.41) .213	(3.96 ) .156	( ) OVERALL	90°	3-18	3	BULK PER PK-41792-002
I	A-41792-0258/0274	41790-0002/0018	2161-64(122)	122	(29.85) 1.175	(13.28) .523	( ) N/A	(5.41) .213	(4.01 ) .158	( ) OVERALL	90°	2-18		BULK PER PK-41792-002
	A-41792-0275/0289	41790-0002/0018	2161-37(102)	102	(27.94) 1.100	(11.43) .450	( ) N/A	(5.41) .213	(3.96 ) .156	( ) OVERALL	90°	4-18	2,4	BULK PER PK-41792-002
	A-41792-0341/0352	41790-0002/0018	2161-37(102)	102	(27.94) 1.100	(11.43) .450	( ) N/A	(5.41) .213	(3.96 ) .156	( ) OVERALL	90°	7-18	7	BULK PER PK-41792-002

A-41792-0198/0213																A-41792-0214/0227						A-41792-0242/0257						A-41792-0258/0274						A-41792-0275/0289						A-41792-0341/0352					
EDP NO.		ENG. NO.		NO OF CKTS	EDP NO.		ENG. NO.		NO OF CKTS	EDP NO.		ENG. NO.		NO OF CKTS	EDP NO.		ENG. NO.		NO OF CKTS	EDP NO.		ENG. NO.		NO OF CKTS	EDP NO.		ENG. NO.		NO OF CKTS																
				2					2					2					2					2					2																
	26-62-5031	A-41792-0198		3				3		26-62-5035	A-41792-0242		3		26-62-5033	A-41792-0259		3					3						3																
	26-62-5041	A-41792-0199		4				4		26-62-5045	A-41792-0243		4									26-62-5047	A-41792-0275		4				4																
	26-62-5051	A-41792-0200		5	41792-0214	A-41792-0214		5		26-62-5055	A-41792-0244		5		26-62-5053	A-41792-0261		5			26-62-5057	A-41792-0276		5					5																
	26-62-5061	A-41792-0201		6	26-62-5060	A-41792-0215		6		26-62-5065	A-41792-0245		6		26-62-5063	A-41792-0262		6			26-62-5067	A-41792-0277		6					6																
	26-62-5071	A-41792-0202		7	41792-0216	A-41792-0216		7		26-62-5075	A-41792-0246		7		26-62-5073	A-41792-0263		7			26-62-5077	A-41792-0278		7		41792-0341	A-41792-0341		7																
	26-62-5081	A-41792-0203		8	41792-0217	A-41792-0217		8		26-62-5085	A-41792-0247		8		26-62-5083	A-41792-0264		8			26-62-5087	A-41792-0279		8		41792-0342	A-41792-0342		8																
	26-62-5091	A-41792-0204		9	41792-0218	A-41792-0218		9		26-62-5095	A-41792-0248		9		26-62-5093	A-41792-0265		9			26-62-5097	A-41792-0280		9		41792-0343	A-41792-0343		9																
	26-62-5101	A-41792-0205		10	26-62-5100	A-41792-0219		10		26-62-5105	A-41792-0249		10		26-62-5103	A-41792-0266		10			26-62-5107	A-41792-0281		10		26-62-5104	A-41792-0344		10																
	26-62-5111	A-41792-0206		11	41792-0220	A-41792-0220		11		26-62-5115	A-41792-0250		11		26-62-5113	A-41792-0267		11			26-62-5117	A-41792-0282		11		26-62-5114	A-41792-0345		11																
	26-62-5121	A-41792-0207		12	41792-0221	A-41792-0221		12		26-62-5125	A-41792-0251		12		26-62-5123	A-41792-0268		12			26-62-5127	A-41792-0283		12		41792-0346	A-41792-0346		12																
	26-62-5131	A-41792-0208		13	41792-0222	A-41792-0222		13		26-62-5135	A-41792-0252		13		26-62-5133	A-41792-0269		13			26-62-5137	A-41792-0284		13		41792-0347	A-41792-0347		13																
	26-62-5141	A-41792-0209		14	41792-0223	A-41792-0223		14		26-62-5145	A-41792-0253		14		26-62-5143	A-41792-0270		14			26-62-5147	A-41792-0285		14		41792-0348	A-41792-0348		14																
	26-62-5151	A-41792-0210		15	41792-0224	A-41792-0224		15		26-62-5155	A-41792-0254		15		26-62-5153	A-41792-0271		15			26-62-5157	A-41792-0286		15		41792-0349	A-41792-0349		15																
	26-62-5161	A-41792-0211		16	41792-0225	A-41792-0225		16		26-62-5165	A-41792-0255		16		26-62-5163	A-41792-0272		16			26-62-5167	A-41792-0287		16		41792-0350	A-41792-0350		16																
	26-62-5171	A-41792-0212		17	41792-0226	A-41792-0226		17		26-62-5175	A-41792-0256		17		26-62-5173	A-41792-0273		17			26-62-5177	A-41792-0288		17		41792-0351	A-41792-0351		17																
	26-62-5181	A-41792-0213		18	41792-0227	A-41792-0227		18		26-62-5185	A-41792-0257		18		26-62-5183	A-41792-0274		18			26-62-5187	A-41792-0289		18		41792-0352	A-41792-0352		18																

A-41792-0198/0213																A-41792-0214/0227						A-41792-0242/0257						A-41792-0258/0274						A-41792-0275/0289						A-41792-0341/0352					
EDP NO.		ENG. NO.		NO OF CKTS	EDP NO.		ENG. NO.		NO OF CKTS	EDP NO.		ENG. NO.		NO OF CKTS	EDP NO.		ENG. NO.		NO OF CKTS	EDP NO.		ENG. NO.		NO OF CKTS	EDP NO.		ENG. NO.		NO OF CKTS																
				2					2					2					2					2					2																
	26-62-5031	A-41792-0198		3				3		26-62-5035	A-41792-0242		3		26-62-5033	A-41792-0259		3					3						3																
	26-62-5041	A-41792-0199		4				4		26-62-5045	A-41792-0243		4									26-62-5047	A-41792-0275		4				4																
	26-62-5051	A-41792-0200		5	41792-0214	A-41792-0214		5		26-62-5055	A-41792-0244		5		26-62-5053	A-41792-0261		5			26-62-5057	A-41792-0276		5					5																
	26-62-5061	A-41792-0201		6	26-62-5060	A-41792-0215		6		26-62-5065	A-41792-0245		6		26-62-5063	A-41792-0262		6			26-62-5067	A-41792-0277		6					6																
	26-62-5071	A-41792-0202		7	41792-0216	A-41792-0216		7		26-62-5075	A-41792-0246		7		26-62-5073	A-41792-0263		7			26-62-5077	A-41792-0278		7		41792-0341	A-41792-0341		7																
	26-62-5081	A-41792-0203		8	41792-0217	A-41792-0217		8		26-62-5085	A-41792-0247		8		26-62-5083	A-41792-0264		8			26-62-5087	A-41792-0279		8		41792-0342	A-41792-0342		8																
	26-62-5091	A-41792-0204		9	41792-0218	A-41792-0218		9		26-62-5095	A-41792-0248		9		26-62-5093	A-41792-0265		9			26-62-5097	A-41792-0280		9		41792-0343	A-41792-0343		9																
	26-62-5101	A-41792-0205		10	26-62-5100	A-41792-0219		10		26-62-5105	A-41792-0249		10		26-62-5103	A-41792-0266		10			26-62-5107	A-41792-0281		10		26-62-5104	A-41792-0344		10																
	26-62-5111	A-41792-0206		11	41792-0220	A-41792-0220		11		26-62-5115	A-41792-0250		11		26-62-5113	A-41792-0267		11			26-62-5117	A-41792-0282		11		26-62-5114	A-41792-0345		11																
	26-62-5121	A-41792-0207		12	41792-0221	A-41792-0221		12		26-62-5125	A-41792-0251		12		26-62-5123	A-41792-0268		12			26-62-5127	A-41792-0283		12		41792-0346	A-41792-0346		12																
	26-62-5131	A-41792-0208		13	41792-0222	A-41792-0222		13		26-62-5135	A-41792-0252		13		26-62-5133	A-41792-0269		13			26-62-5137	A-41792-0284		13		41792-0347	A-41792-0347		13																
	26-62-5141	A-41792-0209		14	41792-0223	A-41792-0223		14		26-62-5145	A-41792-0253		14		26-62-5143	A-41792-0270		14			26-62-5147	A-41792-0285		14		41792-0348	A-41792-0348		14																
	26-62-5151	A-41792-0210		15	41792-0224	A-41792-0224		15		26-62-5155	A-41792-0254		15		26-62-5153	A-41792-0271		15			26-62-5157	A-41792-0286		15		41792-0349	A-41792-0349		15																
	26-62-5161	A-41792-0211		16	41792-0225	A-41792-0225		16		26-62-5165	A-41792-0255		16		26-62-5163	A-41792-0272		16			26-62-5167	A-41792-0287		16		41792-0350	A-41792-0350		16																
	26-62-5171	A-41792-0212		17	41792-0226	A-41792-0226		17		26-62-5175	A-41792-0256		17		26-62-5173	A-41792-0273		17			26-62-5177	A-41792-0288		17		41792-0351	A-41792-0351		17																
	26-62-5181	A-41792-0213		18	41792-0227	A-41792-0227		18		26-62-5185	A-41792-0257		18		26-62-5183	A-41792-0274		18			26-62-5187	A-41792-0289		18		41792-0352	A-41792-0352		18																

E1		SEE SHEET I	B14	SEE SHEET I	DIMENSIONS SHOWN (METRIC) INCH UNLESS OTHERWISE SPECIFIED TOLERANCES ANGULAR ± 1/2°		▽ = 0   ▼ = 0   REVISE ONLY ON CAD SYSTEM		
E		SEE SHEET I	B9	SEE SHEET I	3 PLACE ±   INCH   METRIC		TITLE FRICTION LOCK HEADER ASSY .156 @ BENT SQ PINS, W/O PEG 41792 SERIES DWG		
C		SEE SHEET I	B8	SEE SHEET I	2 PLACE ±   ±		MOLEX INCORPORATED SHEET NO. DATE 1515E.JLL. 60532 U.S.A. 4 06/25/88		
B18		SEE SHEET I	B6	SEE SHEET I	1 PLACE ±   ±		PART NO. DRWG. NO. SEE CHART SDA-41792		
B17		SEE SHEET I	B5	SEE SHEET I	DRAFT WHERE APPLICABLE MUST REMAIN WITHIN DIMENSIONS		FILE NAME DIV. SIZE 541792X4 MOLEX INC. AND SHOULD NOT BE USED WITHOUT WRITTEN PERMISSION C C		
B15		SEE SHEET I	B4	SEE SHEET I	DRWG. BY: SAMEIC   CHK'D BY: PATEL   SCALE:   :				
LTR.		REVISIONS		LTR.		REVISIONS			

13	12	11	10	9	8	7	6	5	4	3	2	1
----	----	----	----	---	---	---	---	---	---	---	---	---