

1

2

3

4

A

B

C

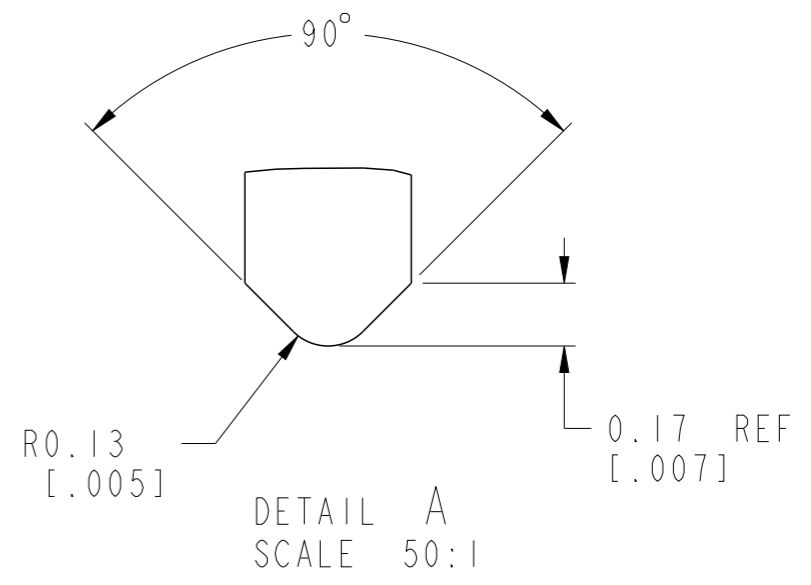
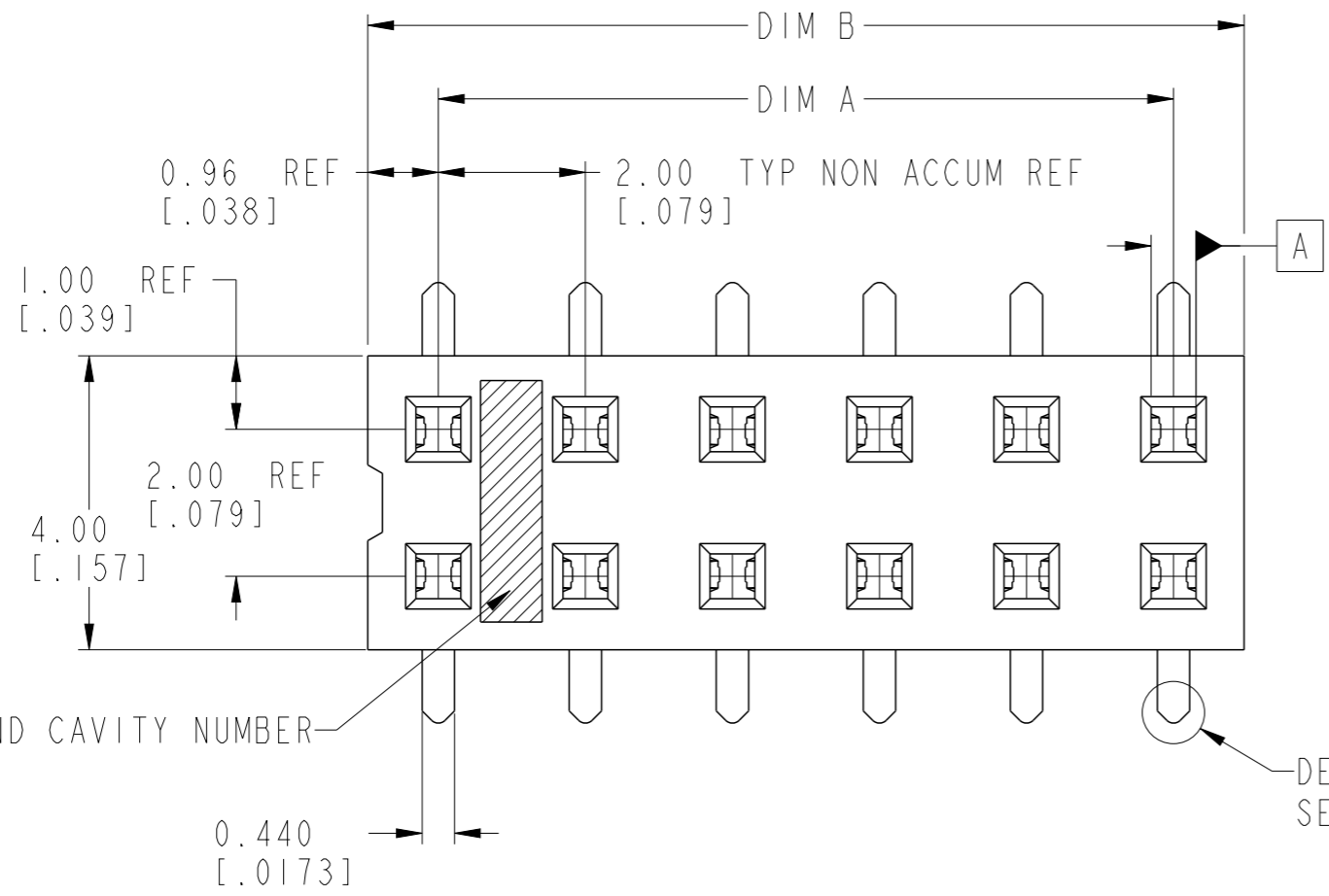
D

A

B

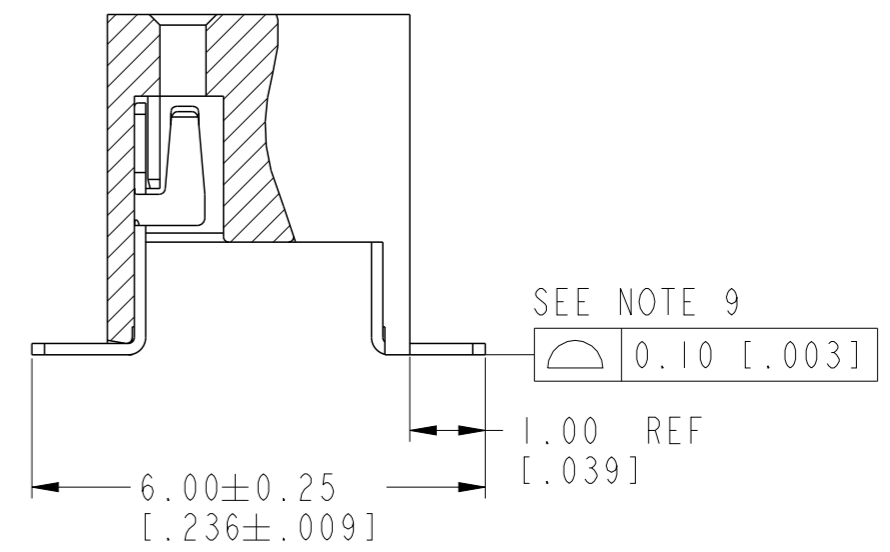
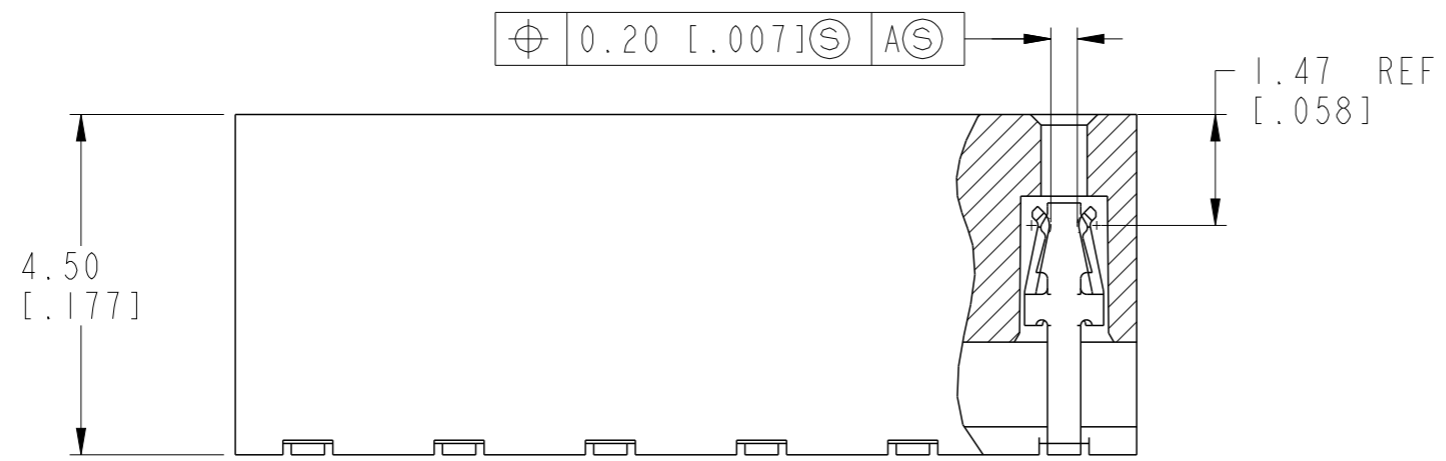
C

D



LOGO AND CAVITY NUMBER

DETAIL A  
SEE NOTE 4



Copyright FCI.

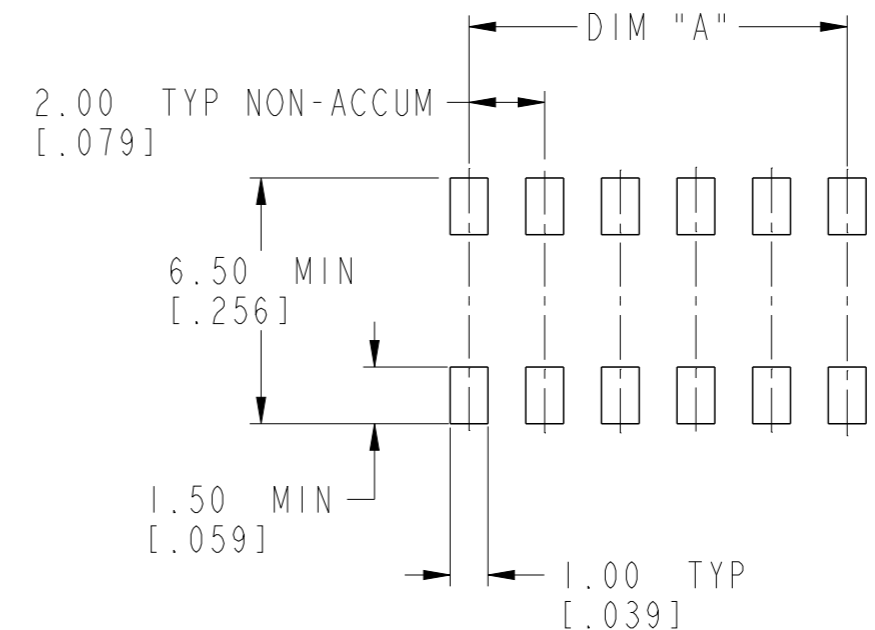
spec ref	-	dr	Andrew Yong	2010/10/21	projection	MM / INCH	size	A3	scale	10:1	
tolerance std	ISO 406 ISO 1101	eng	Guo-Min Sun	2013/04/25			ecn no	ELX-N-14629-1			
surface	✓	chr	-	-			rel level	Released			
		appr	Rick Bian	2013/04/28	product family	LPVCC	dwg no	10093055		rev	E
					cat. no.	-	Product - Customer Drw		sheet 1 of 3		

2

3

PRODUCT NO. SEE NOTE 5	PRODUCT NO. SEE NOTES 6 & 11	POSITIONS	DIM. A	DIM. B
10093055-X04	10093055-X04LF	2 X 2	2.00	3.92
-X06	-X06LF	2 X 3	4.00	5.92
-X08	-X08LF	2 X 4	6.00	7.92
-X10	-X10LF	2 X 5	8.00	9.92
-X12	-X12LF	2 X 6	10.00	11.92
-X14	-X14LF	2 X 7	12.00	13.92
-X16	-X16LF	2 X 8	14.00	15.92
-X18	-X18LF	2 X 9	16.00	17.92
-X20	-X20LF	2 X 10	18.00	19.92
-X22	-X22LF	2 X 11	20.00	21.92
-X24	-X24LF	2 X 12	22.00	23.92
-X26	-X26LF	2 X 13	24.00	25.92
-X28	-X28LF	2 X 14	26.00	27.92
-X30	-X30LF	2 X 15	28.00	29.92
-X32	-X32LF	2 X 16	30.00	31.92
-X34	-X34LF	2 X 17	32.00	33.92
-X36	-X36LF	2 X 18	34.00	35.92
-X38	-X38LF	2 X 19	36.00	37.92
-X40	-X40LF	2 X 20	38.00	39.92
-X42	-X42LF	2 X 21	40.00	41.92
-X44	-X44LF	2 X 22	42.00	43.92
-X46	-X46LF	2 X 23	44.00	45.92
-X48	-X48LF	2 X 24	46.00	47.92
-X50	-X50LF	2 X 25	48.00	49.92

PLATING OPTIONS OVER CONTACT AREA
0XX = 0.05um/2u" Au
1XX = 0.76um/30u" Au
3XX = 0.38um/15u" Au
7XX = 0.76um/30u" GXT
8XX = 0.38um/15u" GXT



**RECOMMENDED PCB LAYOUT**

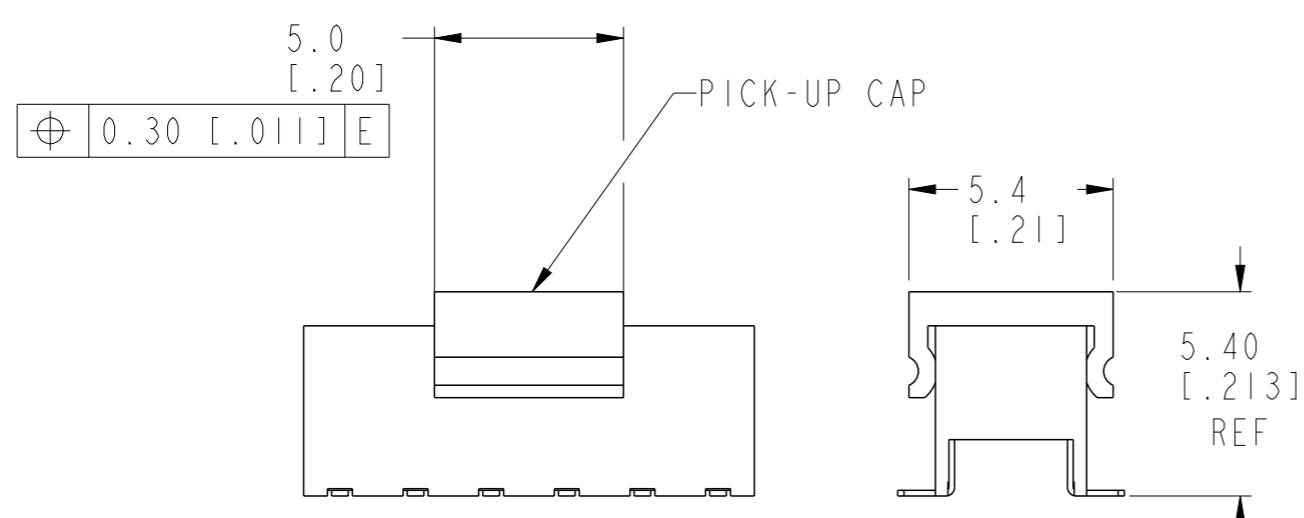


FIG. 1  
NOTE 7(b)  
SCALE 5:1

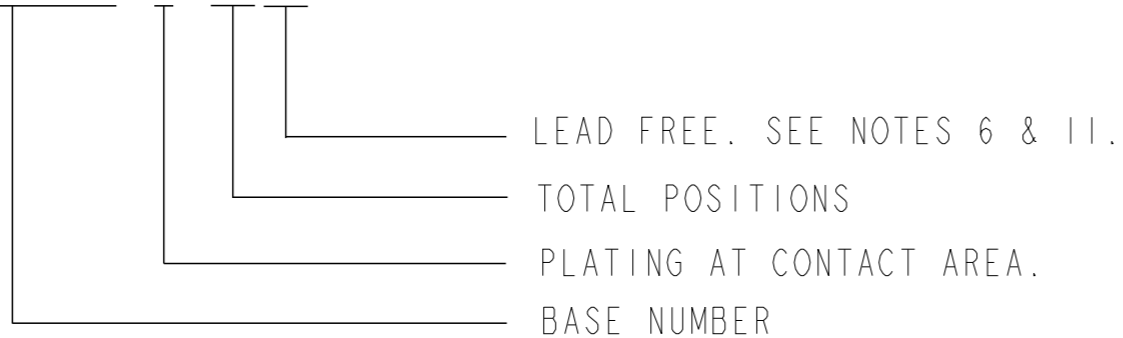
dr	Andrew Yong	2010/10/21	projection	MM / INCH	size	A3	scale	10:1
eng	Guo-Min Sun	2013/04/25			ecn no		ELX-N-14629-1	
chr	-	-			rel level		Released	
appr	Rick Bian	2013/04/28	product family		LPVCC		rev	
			title		LPVCC		dwg no	
www.fci.com			cat. no.		-		Product - Customer Drw	
			sheet 2 of 3		10093055		E	

Copyright FCI.

NOTES:

1. HOUSING MATERIAL : HIGH TEMP PLASTIC.
2. TERMINAL MATERIAL : PHOSPHOR BRONZE.
3. TERMINAL RETENTION 0.5Kg/1.1 Lbs.
4. "V" CUT OPTIONAL - MANUFACTURING PROCESS OPTION.
5. USE TIN/LEAD PLATED SOLDER TAILS.
6. USE 100% MATTE TIN PLATED SOLDER TAILS.
7. PRODUCT DESCRIPTION CODE :

XXXXXXXX-X XXLF



8. PACKAGING:
  - (a) XXXXXXXX-XXX --- STD PACKAGING IN TUBE.
  - (b) XXXXXXXX-XXXTR --- TAPE AND REEL PACKAGING WITH PICK-UP CAP (FIG. 1).
  - (c) XXXXXXXX-XXXWTR --- TAPE AND REEL PACKAGING WITHOUT PICK-UP CAP.
9. CO-PLANARITY  
 FROM POSITION -X04 THRU -X38: 0.10/.004  
 -X40 THRU -X50: 0.12/.005
10. THE HOUSING WILL WITHSTAND EXPOSURE TO 255°C PEAK TEMPERATURE FOR 10 SECONDS IN A CONVECTION, INFRA-RED OR VAPOR PHASE REFLOW OVEN.
11. THIS PRODUCT MEETS EUROPEAN UNION DIRECTIVES AND OTHER COUNTRY REGULATIONS AS DESCRIBED IN GS-22-008.

dr	Andrew Yong	2010/10/21	projection 	MM / INCH ← →	size	A3	scale	10:1	
eng	Guo-Min Sun	2013/04/25			ecn no	ELX-N-14629-1			
chr	-	-	product family	LPVCC	rel level		Released		
appr	Rick Bian	2013/04/28			title		LPVCC	dwg no	10093055
www.fci.com		cat. no.	-		Product - Customer Drw		sheet 3 of 3		



Copyright FCI.