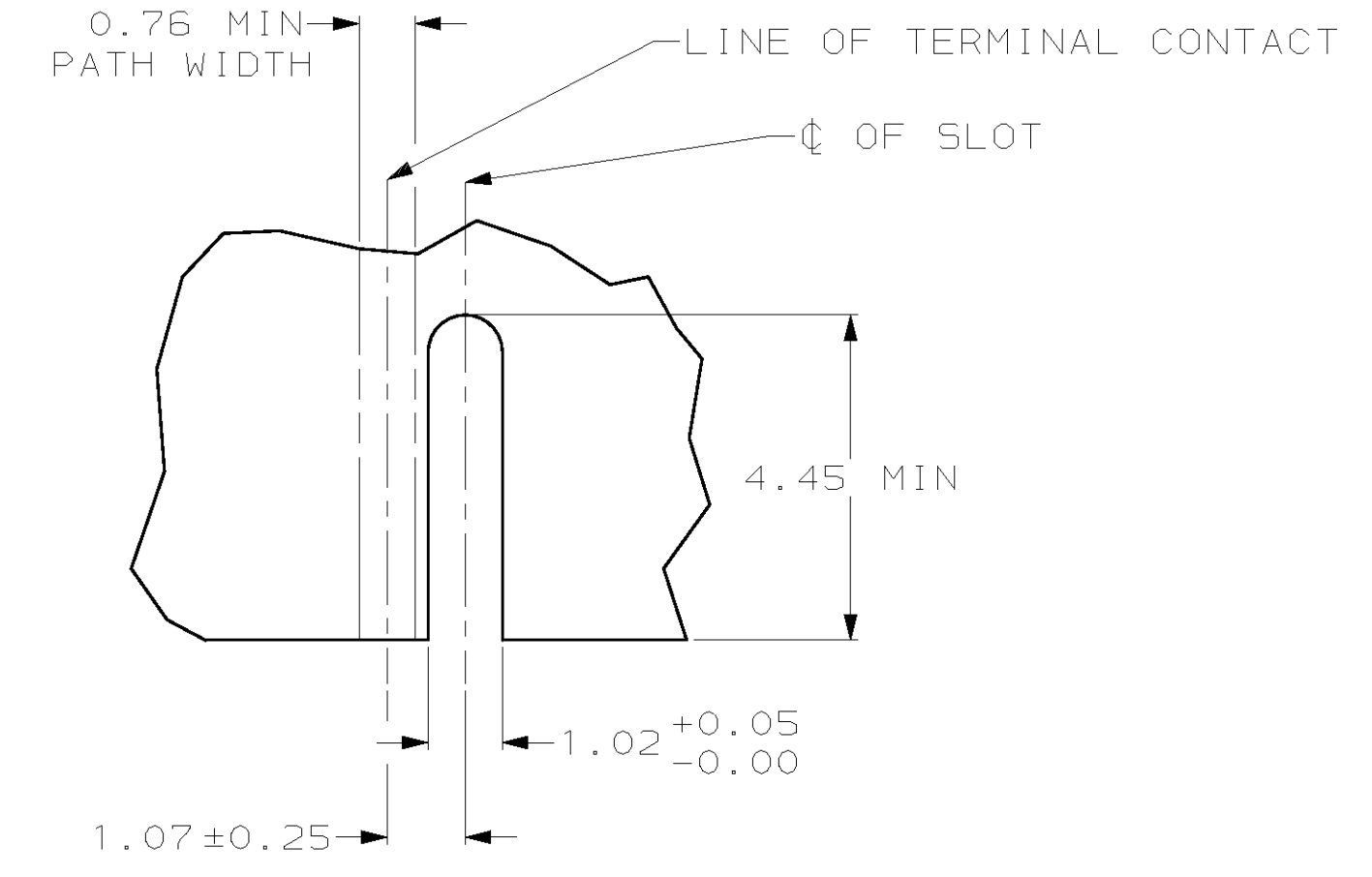
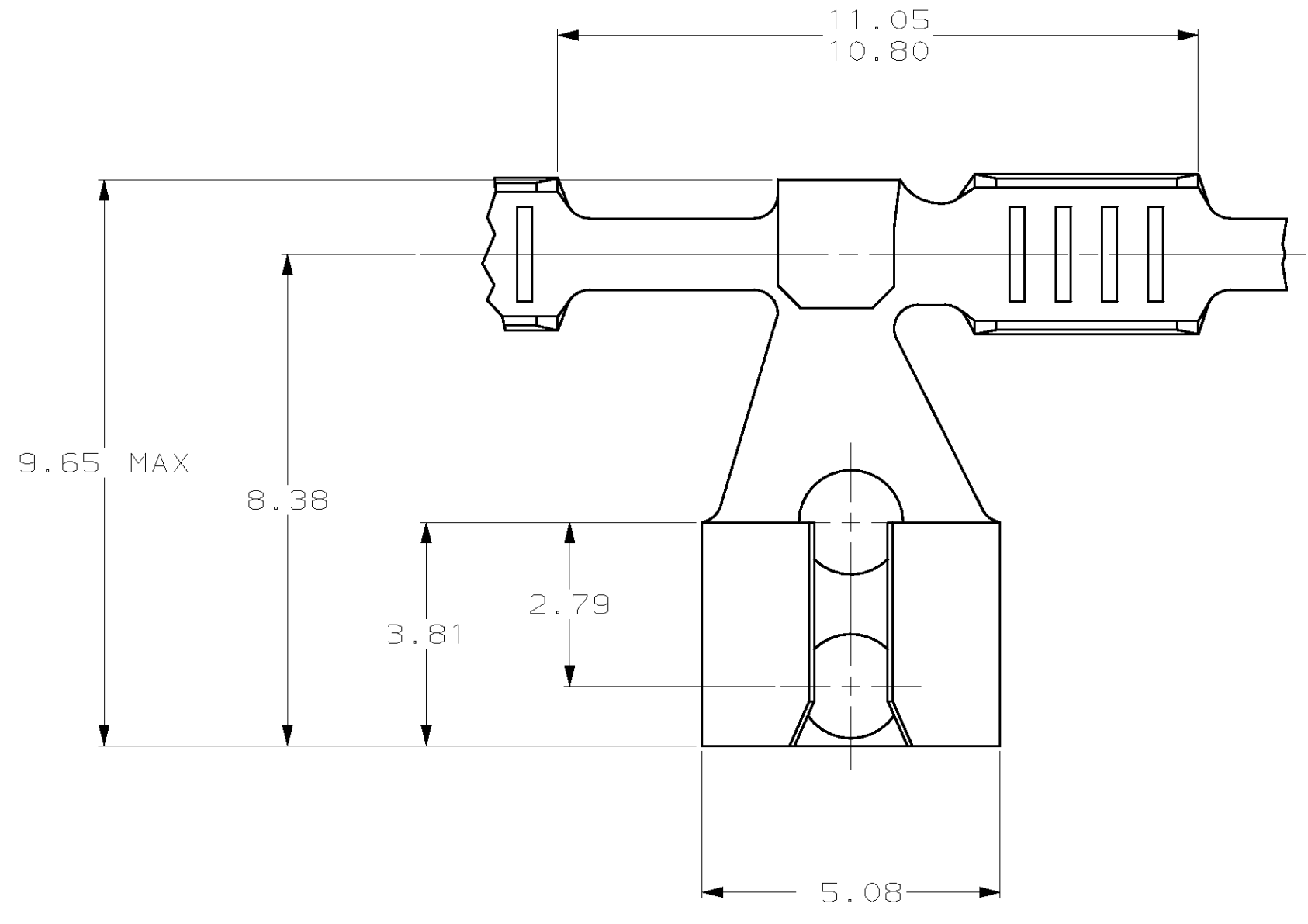


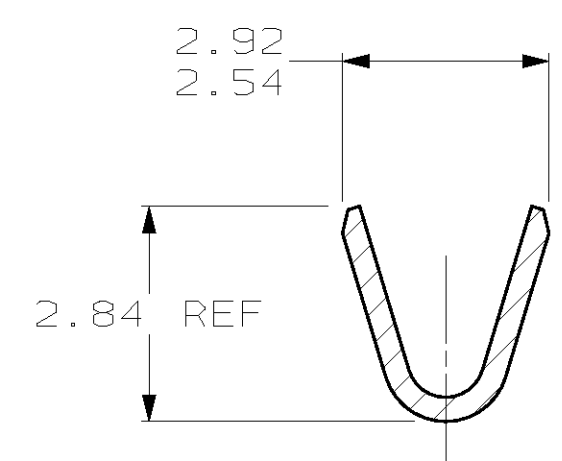
THIS DRAWING IS UNPUBLISHED. RELEASED FOR PUBLICATION
 (C) COPYRIGHT 19 BY AMP INCORPORATED. ALL RIGHTS RESERVED.

| LOC | | DIST | | REVISIONS | | | |
|-----|-----|-------------|---------------------------------|-----------|------|----|--|
| P | LTR | DESCRIPTION | DATE | DWN | APVD | | |
| CM | 52 | E | REV & REDWN PER EC 0L30-0096-97 | 4-24-97 | TB | RS | |

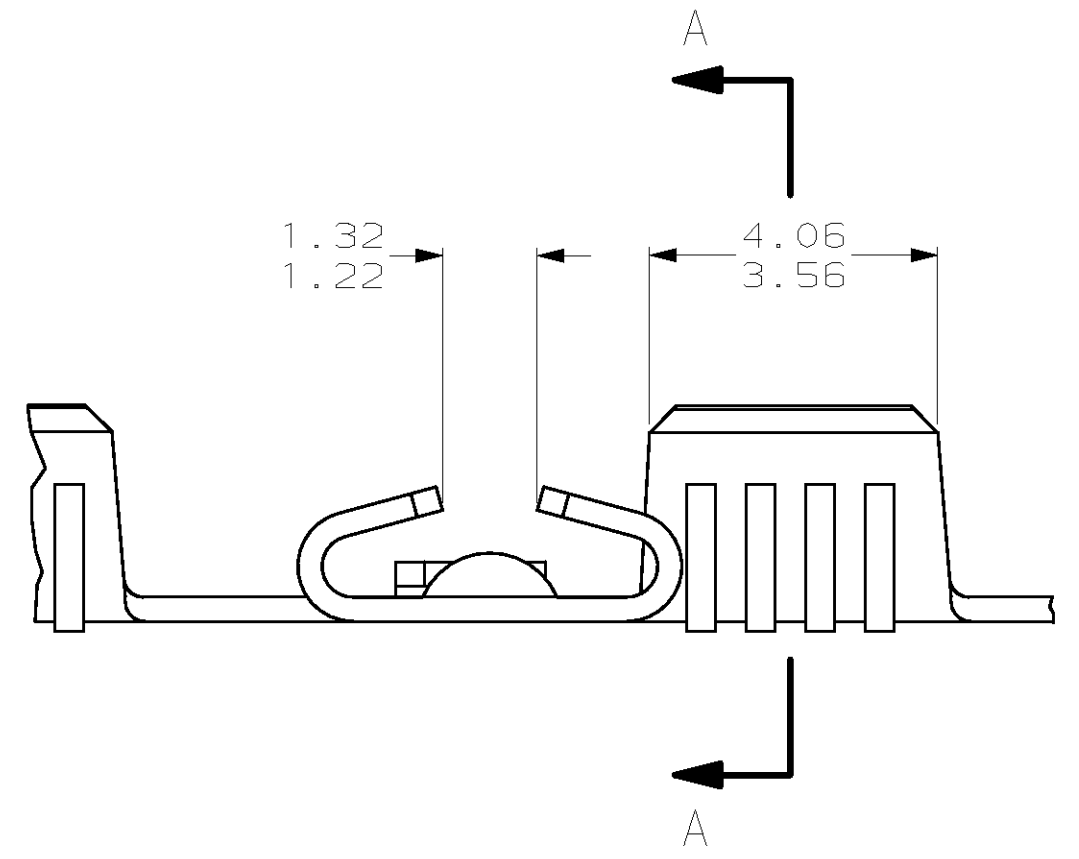
1. WIRE RANGE: 0.3 - 1.4 MM² (22 -16 AWG)



RECOMMENDED CUT OUT FOR 1.57 THICK P.C. BOARD



SECTION A-A



| | |
|------------|-------------|
| MINI | 61782-2 |
| STANDARD | 61782-1 |
| APPLICATOR | PART NUMBER |

| | | | | | | | |
|------|------|------|------|------|------|-------|------|
| 1.02 | .040 | 2.84 | .112 | 8.38 | .330 | - | - |
| 0.76 | .030 | 2.79 | .110 | 5.08 | .200 | - | - |
| 0.30 | .012 | 2.54 | .100 | 4.45 | .175 | - | - |
| 0.25 | .010 | 1.57 | .062 | 4.06 | .160 | - | - |
| 0.13 | .005 | 1.32 | .052 | 3.81 | .150 | 11.05 | .435 |
| 0.05 | .002 | 1.22 | .048 | 3.56 | .140 | 10.80 | .425 |
| 0.00 | .000 | 1.07 | .042 | 2.92 | .115 | 9.65 | .380 |
| MM | IN | MM | IN | MM | IN | MM | IN |

CONVERSION TABLE

METRIC

| | | | | |
|--|--------|---------------------------|---------------|---------|
| THIS DRAWING IS A CONTROLLED DOCUMENT. | | DWN | T. BECK | 4-24-97 |
| DIMENSIONS: mm | | CHK | R. SWING | 4-24-97 |
| TOLERANCES UNLESS OTHERWISE SPECIFIED: | | APVD | A. BEDDICK | 4-28-97 |
| 0 PLC | ± | NAME | | |
| 1 PLC | ± | AMP Incorporated | | |
| 2 PLC | ±0.13 | Harrisburg, PA 17105-3608 | | |
| 3 PLC | ± | AMP-EDGE™ | | |
| 4 PLC | ± | SIZE CAGE CODE DRAWING NO | | |
| ANGLES | ± | A2 00779 C-61782 | | |
| MATERIAL | FINISH | WEIGHT | RESTRICTED TO | |
| 0.30 BRASS | TIN | - | - | |
| CUSTOMER DRAWING | | SCALE | SHEET | REV |
| | | 10:1 | 1 OF 1 | F |

61782