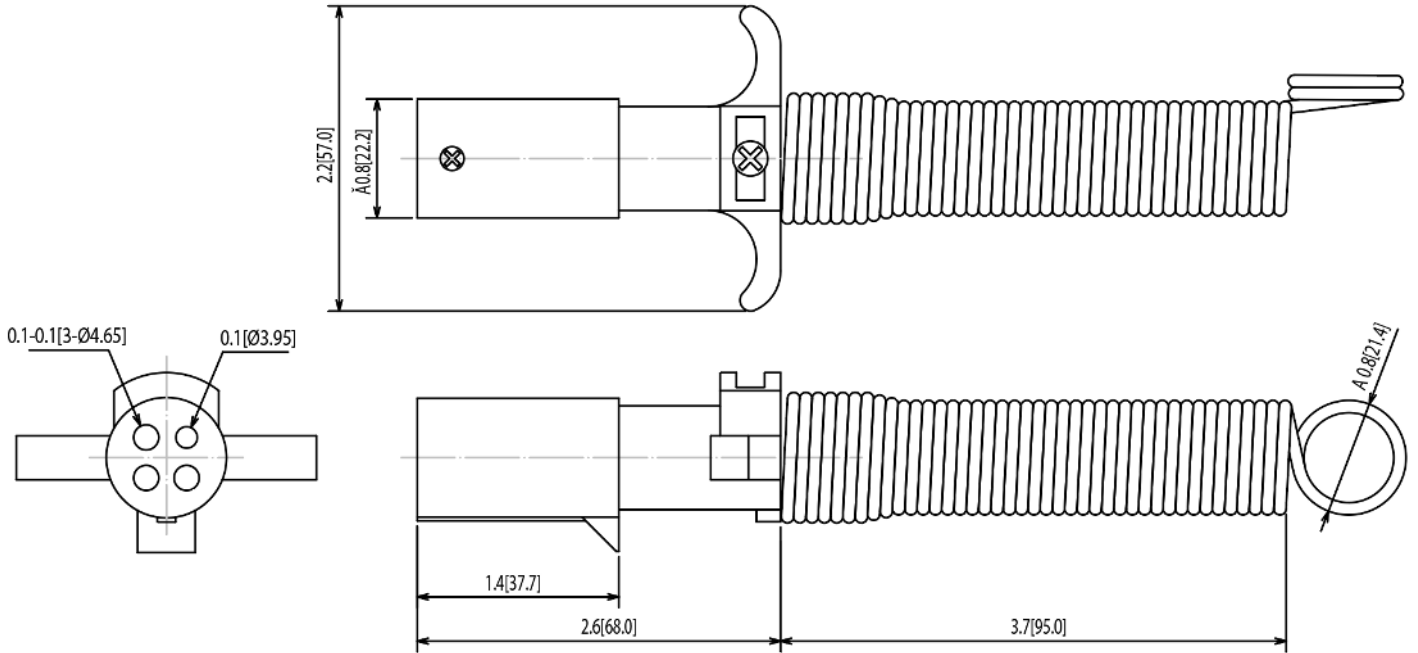



Mechanical Dimensions: Inches [mm]

Tolerances ± 0.012 [0.3] Unless Otherwise Specified



Wiring Color Codes

A.T.A & S.A.E WIRING CODES RECOMMENDED STANDARD

CIRCUITS	POLE WIRING COLOR CODE
Ground Return	White 
Right Turns & Brake Lights	Green 
Left Turns & Brake Lights	Yellow or Red  
Tail Lights	Brown 

Material Specifications

Zinc Die Cast

Rev	Date of issue	Revision Notes	Designed	Approved
A	07-16-2019	Initial Drawing	RC	OH