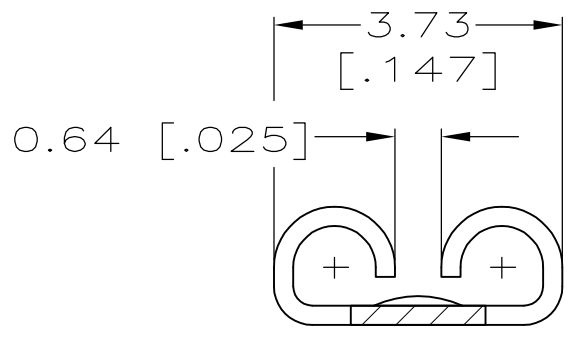
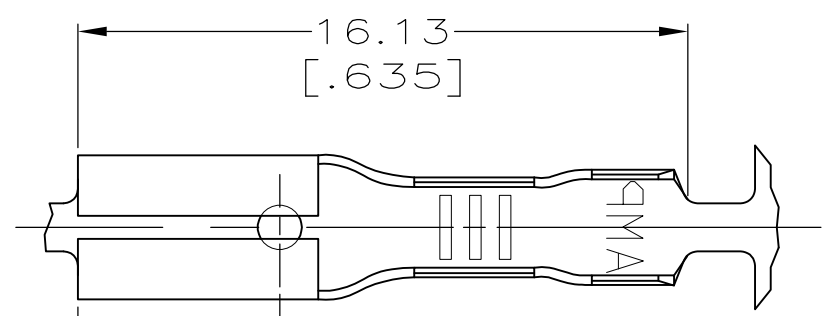


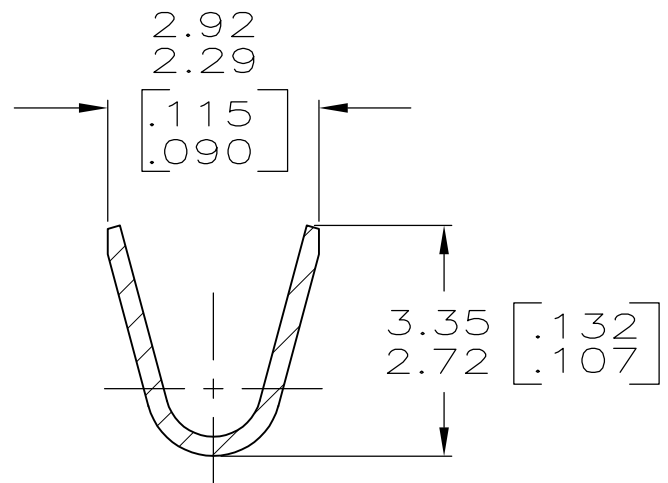
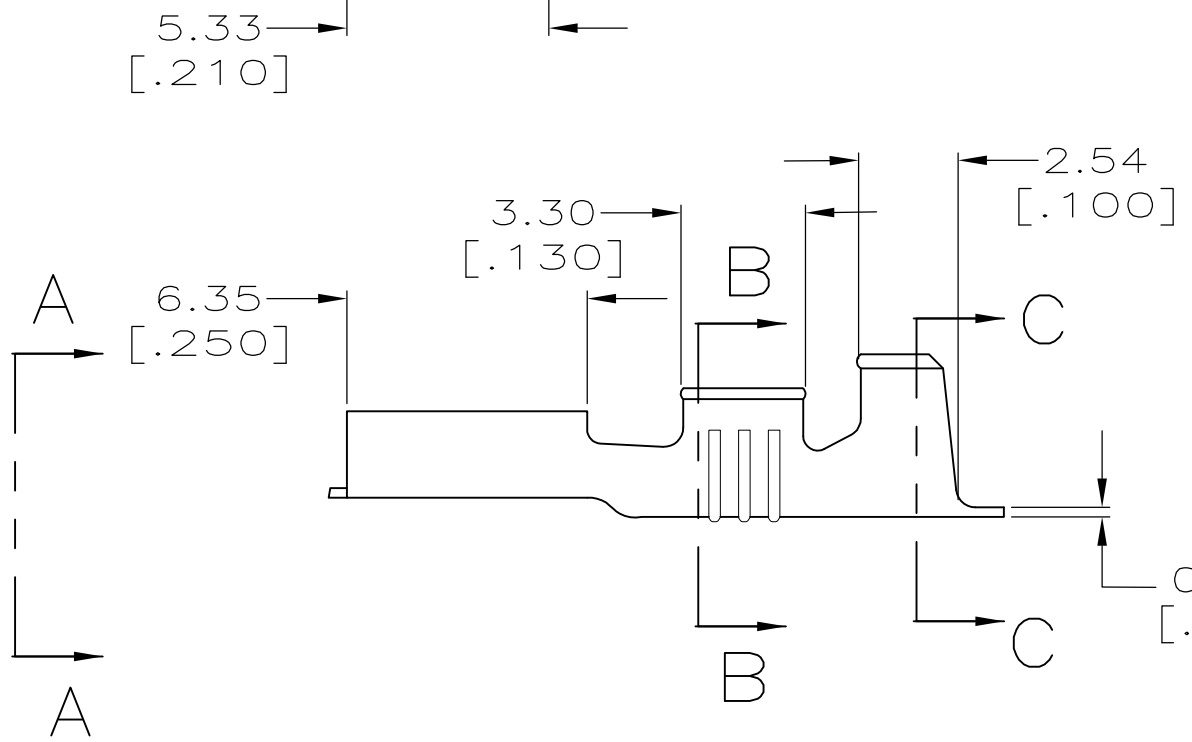
THIS DRAWING IS UNPUBLISHED. RELEASED FOR PUBLICATION  
 © COPYRIGHT - By - ALL RIGHTS RESERVED.

LOC	DIST	REVISIONS			
P	LTR	DESCRIPTION	DATE	DWN	APVD
AF	50	C	REVISED PER ECR-12-013459	28NOV2012	KH PD

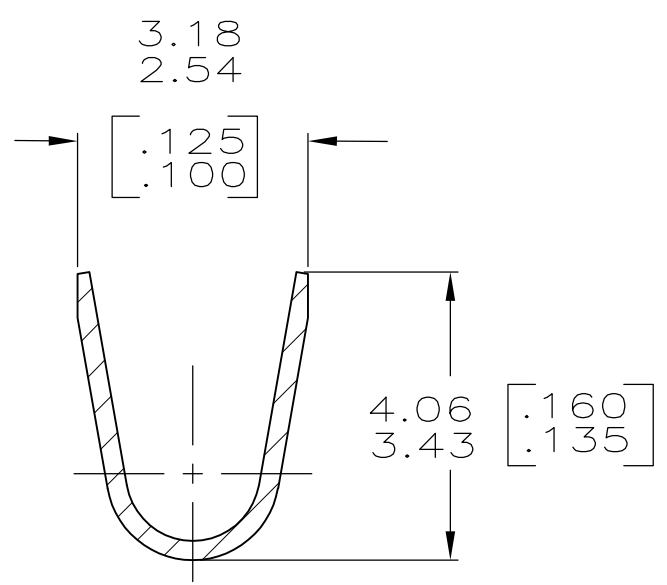
- CONTINUOUS STRIP ON REELS.
- WIRE SIZE [#20-#16] AWG.
- INSULATION RANGE 1.52-2.54  
[.060-.100] DIA.
- MATING TAB THK  $0.51 \pm 0.025$   
[.020 ± .001].



VIEW A-A  
SCALE 10:1



SECTION B-B  
SCALE 10:1



SECTION C-C  
SCALE 10:1

$0.25 \pm 0.025$   
[.010 ± .001]

61408-1  
PART NO.

THIS DRAWING IS A CONTROLLED DOCUMENT.		DWN	JR RUTH	2/7/96	<b>TE Connectivity</b>			NAME			
DIMENSIONS: mm [INCHES]		CHK	MS FEHER	2/7/96				PRODUCT SPEC		RECEPTACLE, FASTON, 2.79 [.110] SERIES	
TOLERANCES UNLESS OTHERWISE SPECIFIED:		APVD	P DESANTIS	2/7/96				APPLICATION SPEC		SIZE	
0 PLC ± - 1 PLC ± - 2 PLC ± 0.38 [.015] 3 PLC ± - 4 PLC ± - ANGLES ± -		MATERIAL		WEIGHT				CAGE CODE		DRAWING NO	
		BRASS		PRE-TIN		A300779		C-61408			
CUSTOMER DRAWING		SCALE		5:1		SHEET		1 OF 1			
		REV		C		RESTRICTED TO		-			