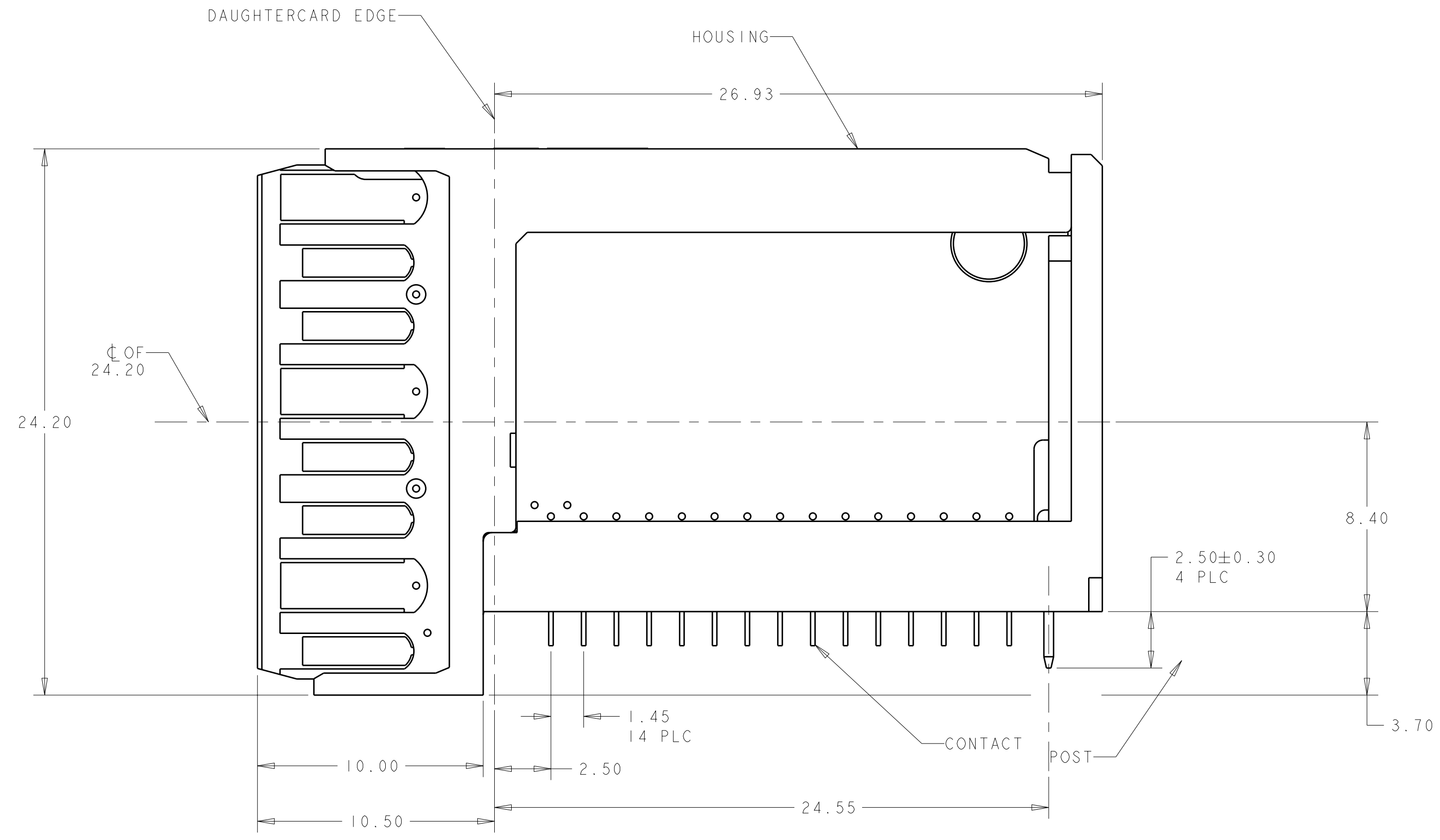
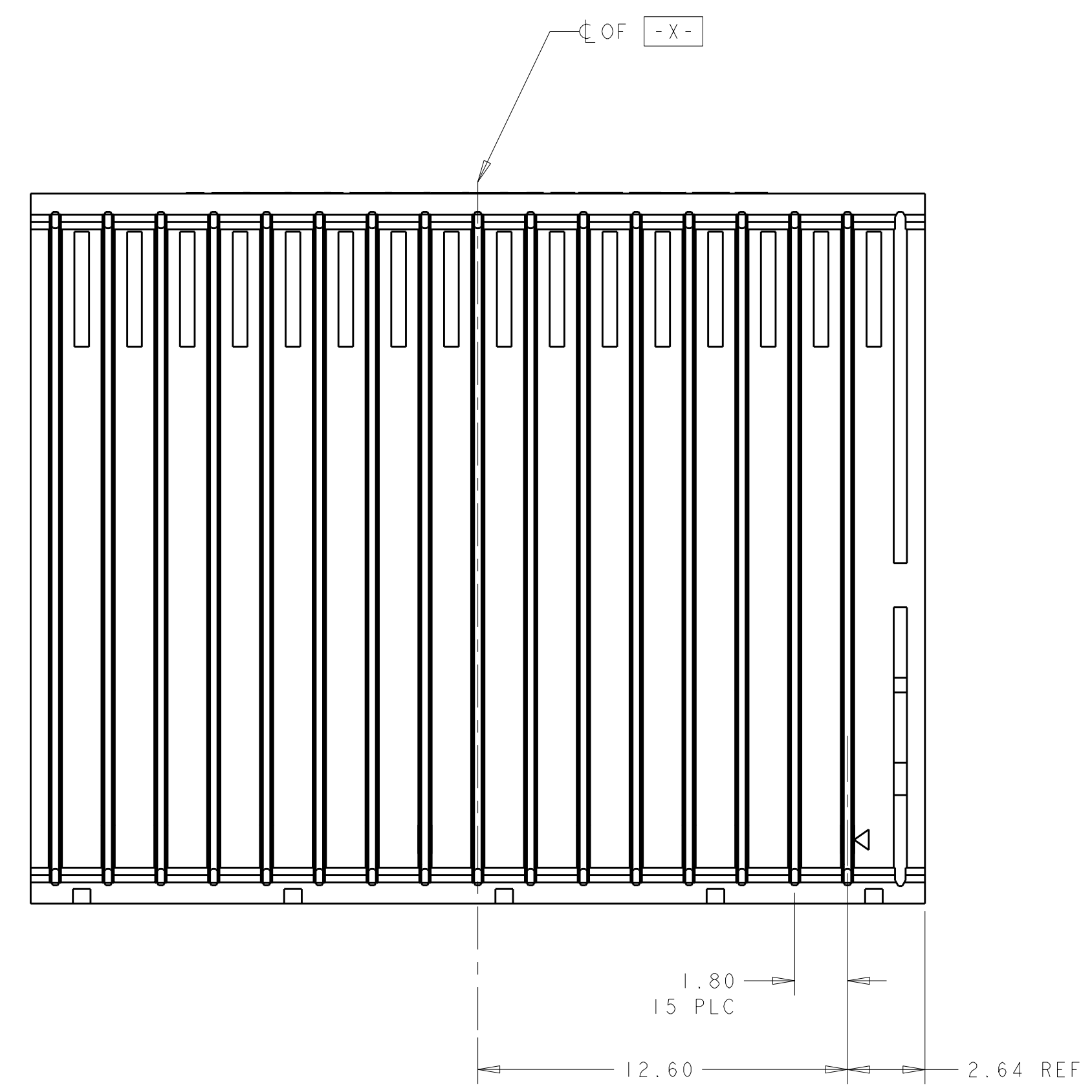
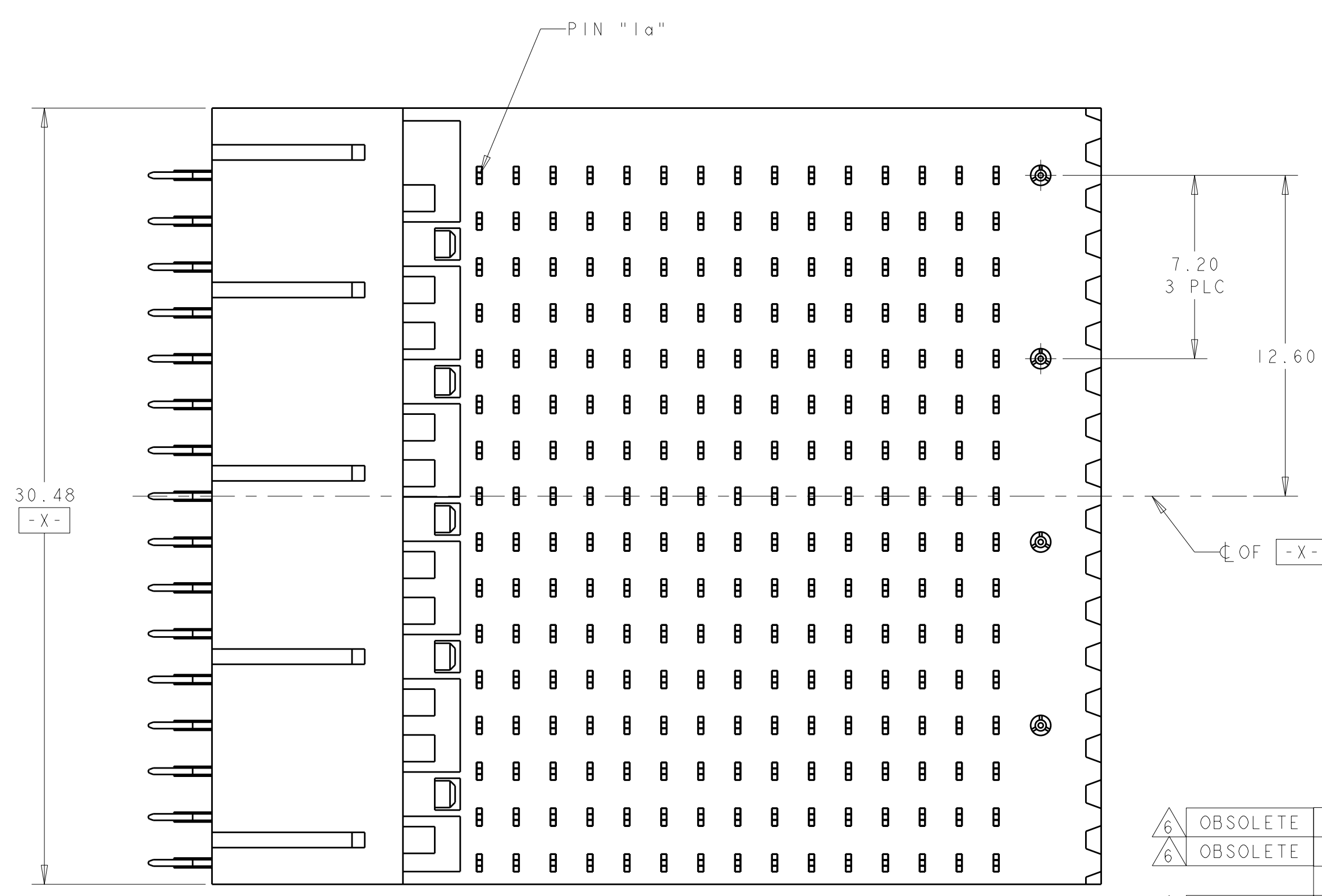
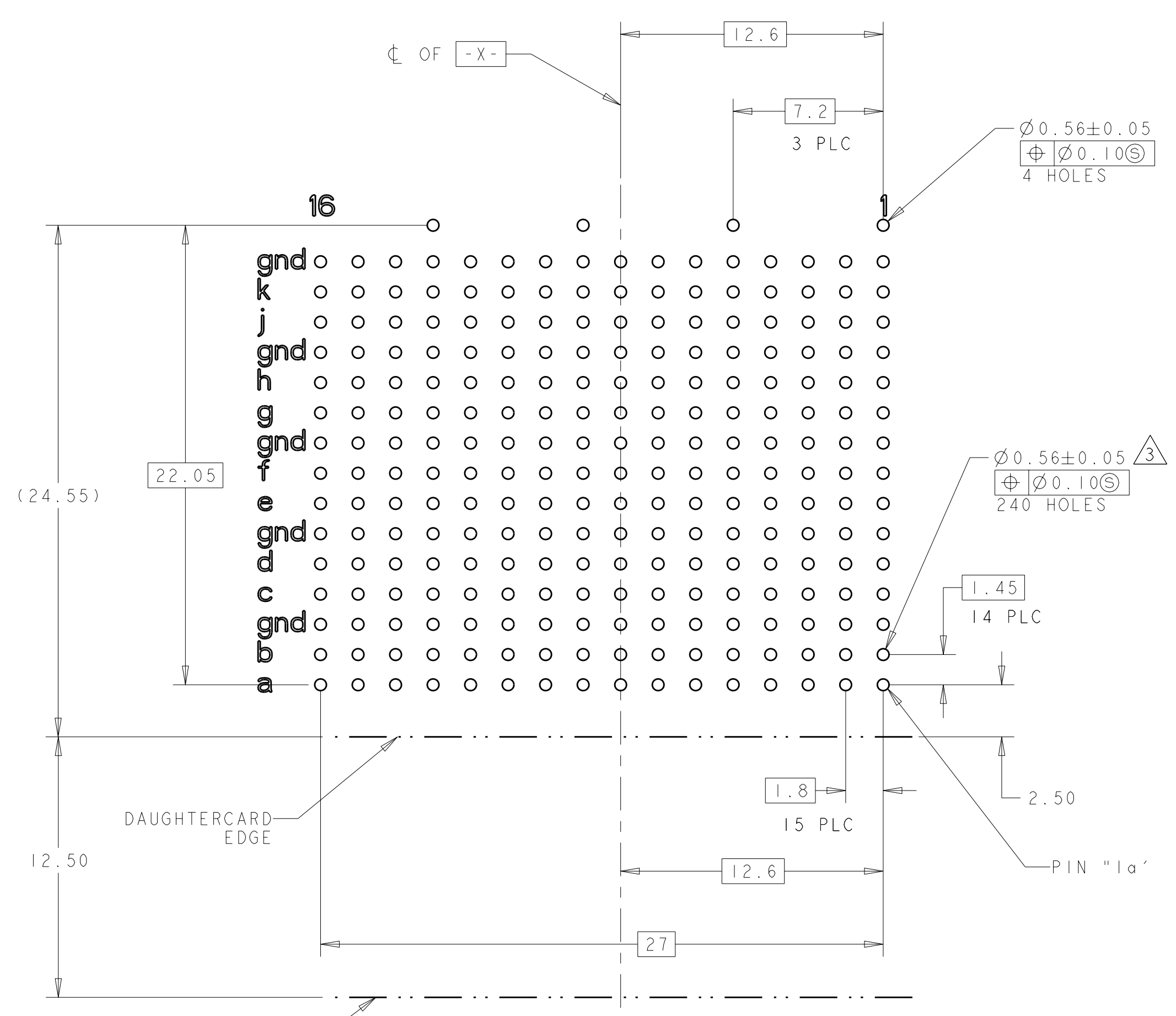


LOC	DIST	REVISIONS					
AD	00	P	LTR	DESCRIPTION	DATE	DWN	APVD
		A		EC 0512-0341-04	29JUL2004	BW	GG
		A1		REVISED PER ECO-09-025699	07DEC2009	WK	AEG



- 1 HOUSING: LCP, UL94V-0, BLACK.
CONTACT: PHOSPHOR BRONZE.
POST: BRASS WIRE.
- 2 CONTACT: 0.76 μm GOLD PER ASTM B 488 IN CONTACT AREA,
1.27 μm MIN TIN-LEAD
ON PCB TAIL,
OVER 1.27 μm MIN NICKEL PER
SAE AMS-QQ-N-290 OVER ALL.
POST: 1.27 μm MIN NICKEL.
- 3 MANUFACTURING TOLERANCE
FOR A Ø 0.56±0.05 FINISHED HOLE.
DRILLED HOLE: Ø 0.65±0.02
COPPER PLATE: 0.050-0.025
TIN/LEAD PLATE: 0.0124-0.0038
- 4 CONTACT: 0.76 μm GOLD PER ASTM B 488 IN CONTACT AREA,
1.27 μm MIN MATTE TIN PER ASTM B 545
ON PCB TAIL,
OVER 1.27 μm MIN NICKEL PER
SAE AMS-QQ-N-290 OVER ALL.
POST: 1.27 μm MIN NICKEL.
- 5 MANUFACTURING TOLERANCE FOR A
Ø 0.575 ± 0.045 FINISHED HOLE WITHOUT
TIN LEAD PLATING:
DRILLED HOLE: Ø 0.65 ± 0.02
COPPER PLATING: 0.025 - 0.050
- 6 OBSOLETE PARTS: OBSOLETE CIS STREAMLINING
PER D.RENAUD/D.SINISI



PC BOARD LAYOUT
CONNECTOR SIDE
SCALE 5:1

6	4	5	DESCRIPTION	PART NO
6	4	5	DIFFERENTIAL PAIR, NONSEQUENTIAL	1410216-4
6	4	5	SINGLE END, NONSEQUENTIAL	1410216-3
6	2	3	DIFFERENTIAL PAIR, NONSEQUENTIAL	1410216-2
6	2	3	SINGLE END, NONSEQUENTIAL	1410216-1

DIMENSIONS: mm 		TOLERANCES UNLESS OTHERWISE SPECIFIED: 9 PLC ±0 5 PLC ±0.13 5 PLC ±0.013 4 PLC ±0.1 ANGLES ±1°		DWN R. TREA 02OCT2002 CHK D. DEBRAUGH 02OCT2002 APVD D. DEBRAUGH 02OCT2002 PRODUCT SPEC 108-2072 APPLICATION SPEC 114-13056 WEIGHT - CUSTOMER DRAWING		NAME RIGHT ANGLE PLUG ASSEMBLY, LEFT END, FULL, 25.4mm, MultiGig RT 1, DAUGHTERCARD CONNECTOR		Tyco Electronics Corporation Harrisburg, PA 17105-3608	
MATERIAL		FINISH		SIZE CAGE CODE DRAWING NO		RESTRICTED TO		SCALE 8:1 SHEET 1 OF 1 REV A1	