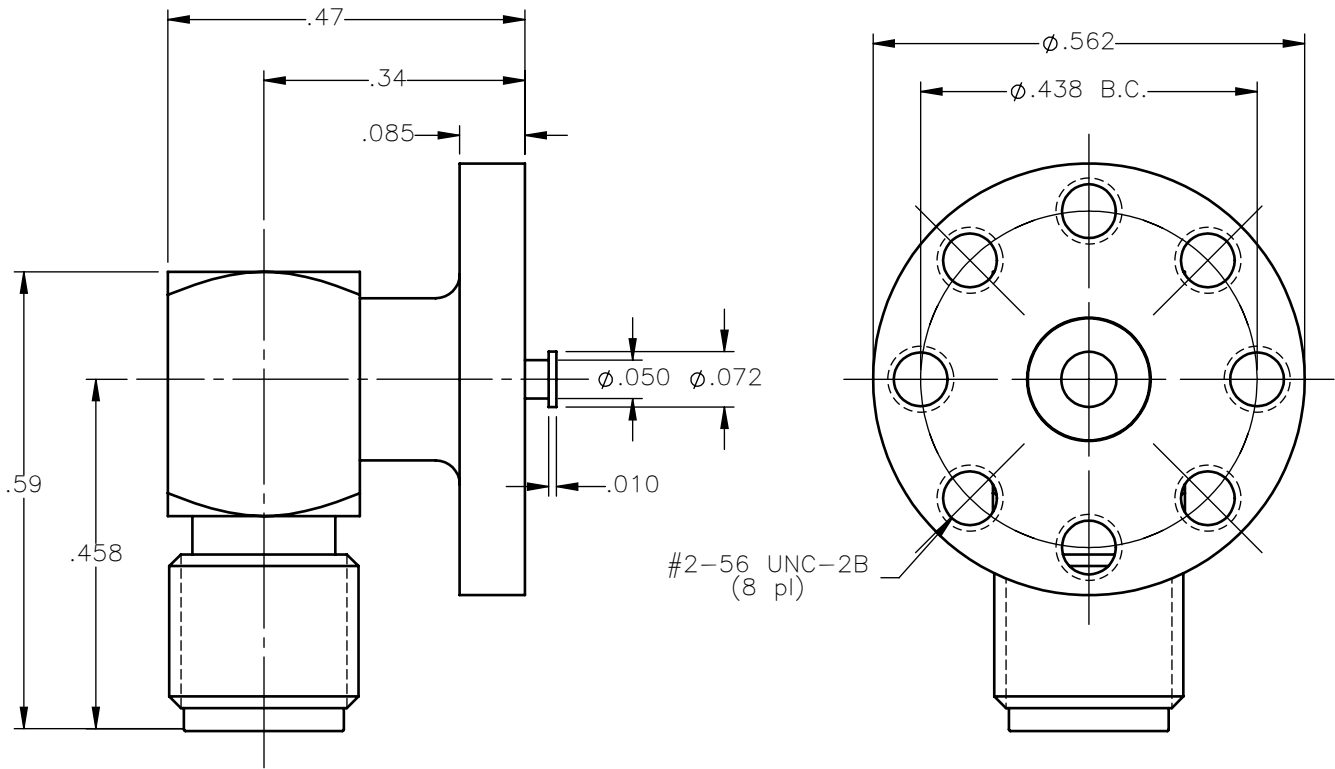


REVISIONS			
REV.	DESCRIPTION	DATE	APPROVED
A	INITIAL RELEASE	02/19/18	C.E.





NOTES:

MATERIALS:

1. BODIES = STAINLESS STEEL PER ASTM A582, ALLOY 303, CONDITION "A".
2. INSULATORS = VIRGIN WHITE TEFLON PER ASTM D1710, GRADE 1, TYPE I, CLASS "B".
3. FEMALE CONTACTS = BERYLLIUM COPPER PER ASTM B196, ALLOY C17300, TEMPER TD04.
4. MALE CONTACT & CAP = BRASS PER ASTM B16, ALLOY C36000, TEMPER H02.

FINISHES:

1. BODIES = GOLD PLATE PER ASTM B488-11, TYPE II, 30μin MIN, GRADE C, OVER 50 TO 100μin STRESS FREE NICKEL PER AMS-QQ-N-290.
2. CONTACTS = GOLD PLATE PER ASTM B488-11, TYPE II, 50μin MIN, GRADE C, OVER 100 TO 200μin STRESS FREE SULFAMATE NICKEL PER AMS-QQ-N-290.
3. CAP = GOLD PLATE PER ASTM B488-11, TYPE II, 30μin MIN, GRADE C OVER 100 TO 200μin COPPER STRIKE PER AMS 2418.

UNLESS OTHERWISE SPECIFIED DIMENSIONS ARE IN INCHES TOLERANCES ON	DWN: C.E.	DATE 02/19/18	 Property of Radiall This document cannot be reproduced or communicated to a third party without prior written permission of RADIALL.	
	CHKD: J.S.	DATE 02/19/18		
DECIMAL	ANGLE	APVD: J.M.	DATE 02/19/18	<b>SMA RIGHT ANGLE JACK SURFACE MOUNT RECEPTACLE</b>
REFERENCE:	MATERIALS & FINISHES:	SIZE A	FSCM NO. 19505	
ORIGINATED: C.E. DATE: 02/19/18	SEE NOTES	SCALE 4:1	THIRD ANGLE PROJECTION	REV A
			SHEET 1 OF 1	

9035-1513-001