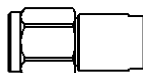
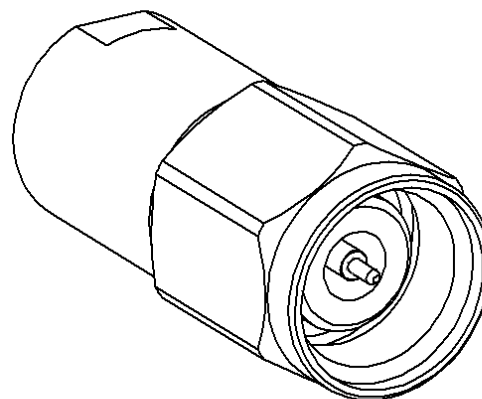
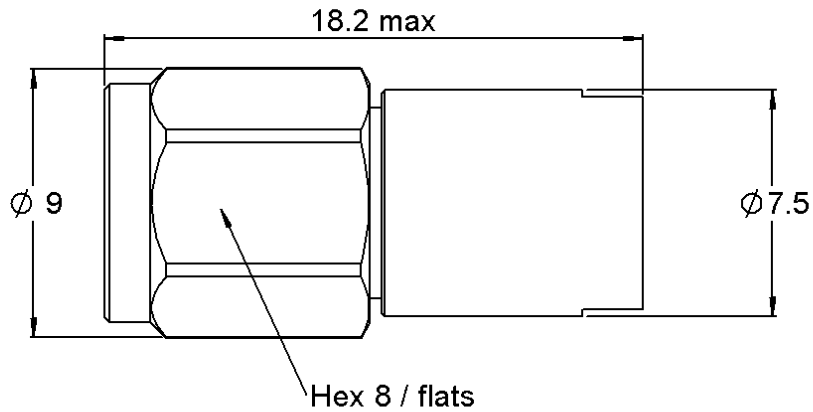
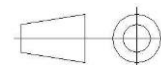


PAGE 1/2	ISSUE 10-05-16A	SERIES <b>TERMINATION</b>	PART NUMBER <b>R4042N0000</b>
----------	-----------------	------------------------------	-------------------------------



Scale 1:1

All dimensions are in mm.



COMPONENTS	MATERIALS	PLATING (µm)
Body	<b>BRASS</b>	<b>NICKEL</b>
Center contact	<b>BERYLLIUM COPPER</b>	<b>GOLD OVER NICKEL</b>
Outer contact	<b>BERYLLIUM COPPER</b>	<b>GOLD OVER NICKEL</b>
Insulator	<b>PEEK</b>	
Gasket	-	
Substrate	<b>ALUMINA</b>	
Resistor	<b>THIN FILM</b>	
Others parts	-	-

PAGE 2/2	ISSUE <b>10-05-16A</b>	SERIES <b>TERMINATION</b>	PART NUMBER <b>R4042N0000</b>
----------	------------------------	------------------------------	-------------------------------

### ELECTRICAL CHARACTERISTICS

Frequency (GHz)	<b>DC - 50</b>
V.S.W.R (≤)	<b>1.3</b>

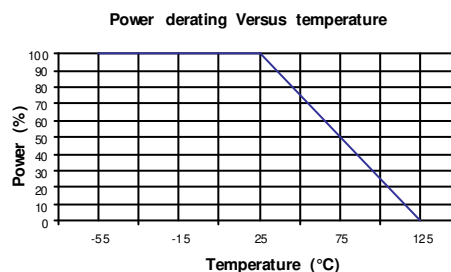
Operating Frequency Range	<b>DC - 50</b>	GHz
Impedance	<b>50</b>	Ω
DC Resistance	<b>50</b>	Ω ± 5%
Peak power at 25°C (1μs, 1%)	<b>100</b>	W
Average power at 25°C	<b>0.5</b>	W (Free Air Cooled)
		W (Conduction Cooled)

### MECHANICAL CHARACTERISTICS

Connectors	<b>2.4MM</b>	<b>MALE</b>	<b>MIL STD-348A</b>
Weight	<b>5,0400</b>	g	

### ENVIRONMENTAL CHARACTERISTICS

Operating temperature range	<b>-55/+125</b>	°C
Storage temperature range	<b>-55/+125</b>	°C



### SPECIFICATION

### OTHER CHARACTERISTICS