

1969332-2 ✓ ACTIVE

Positive Lock | Mark II, Positive Lock 250

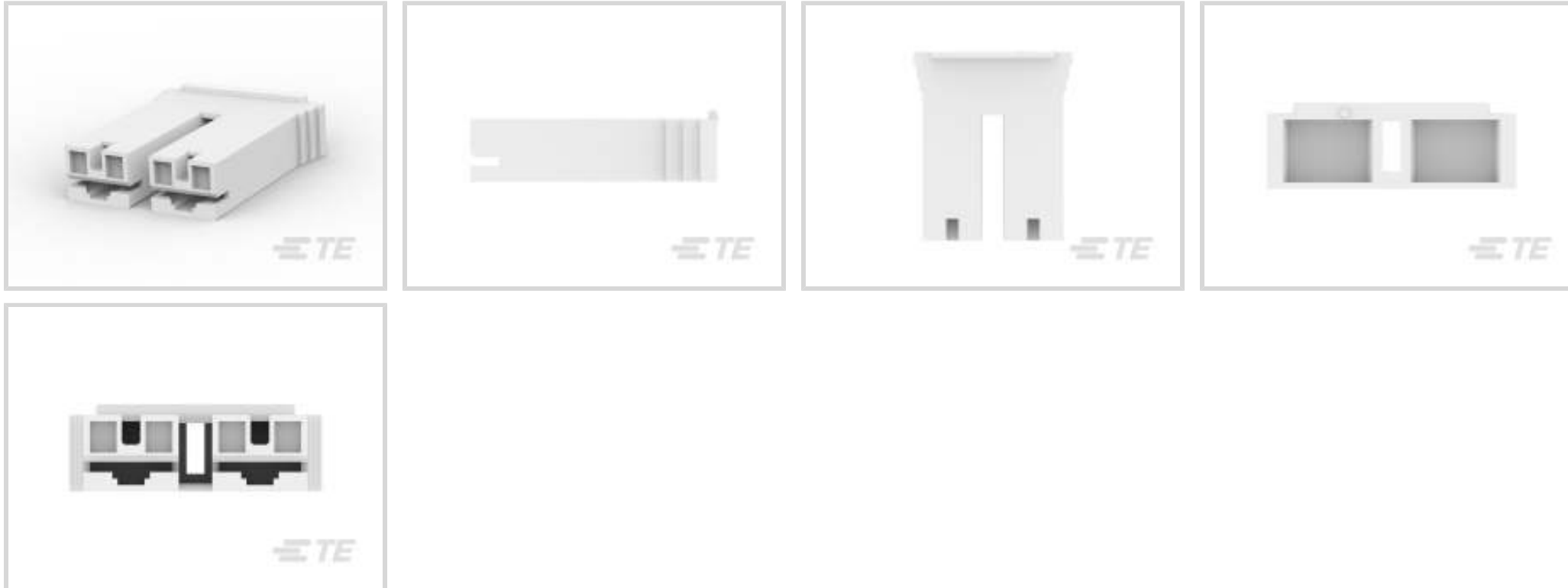
TE Internal #: 1969332-2

Crimp Terminal Housings, Receptacle, Receptacle, 2 Position,
Straight, UL 94V-0, Natural, Nylon, Contact Mating Retention,
Positive Lock 250

[View on TE.com >](#)



Terminals & Splices > Terminal Housings, Insulation Sleeves & Blocks > Crimp Terminal Housings



Terminal Type: **Receptacle**

Connector & Housing Type: **Receptacle**

Number of Positions: **2**

Terminal Orientation: **Straight**

UL Flammability Rating: **UL 94V-0**

Features

Product Type Features

Sealable	No
Connector System	Wire-to-Board, Wire-to-Wire
Connector & Contact Terminates To	Wire & Cable
Connector & Housing Type	Receptacle

Configuration Features

Number of Positions	2
---------------------	---

Body Features

Primary Product Color	Natural
-----------------------	---------

Contact Features

Terminal Type	Receptacle
Terminal Orientation	Straight
Contact Mating Retention	With

Mechanical Attachment



Mating Alignment Type	Polarization
Mating Alignment	With
Connector Mounting Type	Cable Mount (Free-Hanging)

Housing Features

Housing Material	Nylon
Centerline (Pitch)	12.39 mm[.488 in]

Usage Conditions

Operating Temperature Range	-40 – 105 °C[-40 – 221 °F]
-----------------------------	----------------------------

Industry Standards

UL Flammability Rating	UL 94V-0
------------------------	----------

Packaging Features

Packaging Quantity	1
Packaging Method	Carton

Product Compliance

[For compliance documentation, visit the product page on TE.com>](#)

EU RoHS Directive 2011/65/EU	Compliant
EU ELV Directive 2000/53/EC	Compliant
China RoHS 2 Directive MIIT Order No 32, 2016	No Restricted Materials Above Threshold
EU REACH Regulation (EC) No. 1907/2006	Current ECHA Candidate List: JUNE 2023 (235) Candidate List Declared Against: JUNE 2023 (235) Does not contain REACH SVHC
Halogen Content	Low Halogen - Br, Cl, F, I < 900 ppm per homogenous material. Also BFR/CFR/PVC Free
Solder Process Capability	Not applicable for solder process capability

Product Compliance Disclaimer

This information is provided based on reasonable inquiry of our suppliers and represents our current actual knowledge based on the information they provided. This information is subject to change. The part numbers that TE has identified as EU RoHS compliant have a maximum concentration of 0.1% by weight in homogenous materials for lead, hexavalent chromium, mercury, PBB, PBDE, DBP, BBP, DEHP, DIBP, and 0.01% for cadmium, or qualify for an exemption to these limits as defined in the Annexes of Directive 2011/65/EU (RoHS2). Finished electrical and electronic equipment products will be CE marked as required by Directive 2011/65/EU. Components may not be CE marked. Additionally, the part numbers that TE has identified as EU ELV compliant have a maximum concentration of 0.1% by weight in homogenous materials for lead, hexavalent chromium, and mercury, and 0.01% for cadmium, or qualify for an exemption to these limits as defined in the Annexes of Directive 2000/53/EC (ELV). Regarding the REACH Regulation, the information TE provides on SVHC in articles for this part number is based on the latest European Chemicals Agency (ECHA) 'Guidance on

requirements for substances in articles' posted at this URL: <https://echa.europa.eu/guidance-documents/guidance-on-reach>

Compatible Parts



TE Part # 63239-1
POSITIVE LOCK 250 REC 12-10 AWG
TPBR



TE Part # 170329-1
250 PL MKII REC. 15-10AWG PTBR



TE Part # 170327-1
250 PL MKII REC. 22-18AWG PTBR



TE Part # 170328-1
250 PL MKII REC. 18-14AWG PTBR



TE Part # 2238155-1
POS LOCK 250 Rec, MKII, 18-14 TPBR

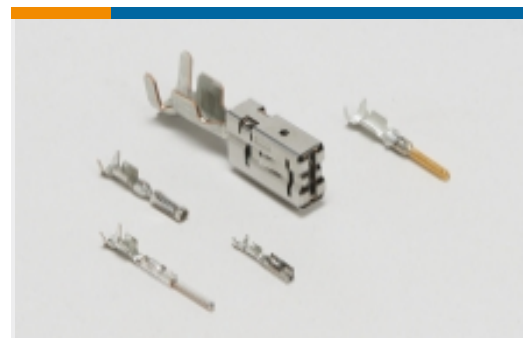


TE Part # 2238156-1
POS LOCK 250 Rec, MKII, 22-18 TPBR

Also in the Series | Mark II



Automotive Housings(7)



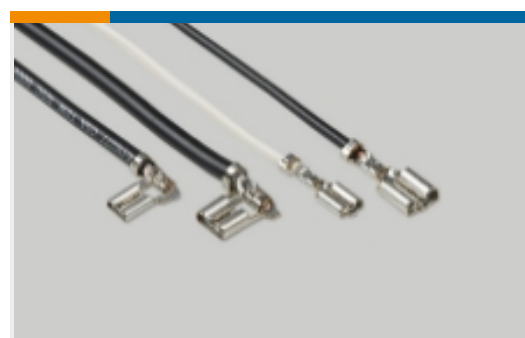
Automotive Terminals(22)



Crimp Terminal Housings(76)



Insertion & Extraction Tools(2)



Quick Disconnects(57)

Also in the Series | Positive Lock 250



Automotive Terminals(1)



Crimp Terminal Housings(193)



Insertion & Extraction Tools(3)



Insulation Boots & Sleeves(4)



Quick Disconnects(186)

Customers Also Bought



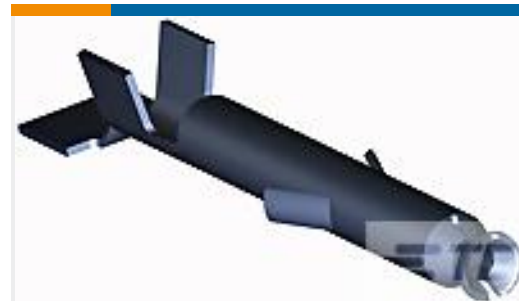
TE Part #5-1971773-3
PTL 1X3 PLUG HSG HIGH TEMP KEY
A LGR



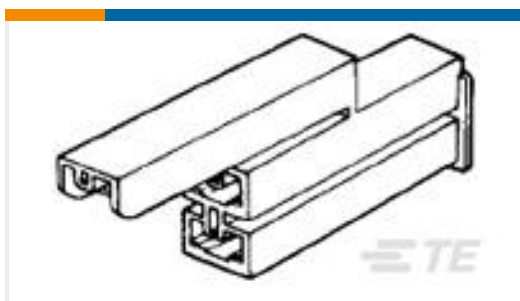
TE Part #440133-5
2.5MM,HSG,5POS



TE Part #770090-1
06P .093 COMM P&S PLUG HSG



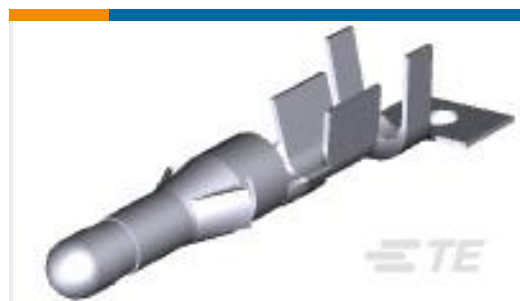
TE Part #794831-1
MINI UMNL SKT SN 22-18 AWG



TE Part #1-172075-1
3 POS PL 187(4.8 MM) HOUSING
NATURAL



TE Part #62613-2
RING .190 12-10 AWG 0245 TPCRS



TE Part #350416-1
.093 COMM P&S PIN 14-20 PTPBR



TE Part #62754-1
SPLICE 14000-30000 .030 BR



TE Part #1969725-1
187 FAST&110 PL HSG.,REC.,4 POS,
BLACK

Documents



Product Drawings

POSITIVE LOCK 250 HOUSING RECEPTACLE

English

CAD Files

3D PDF

3D

Customer View Model

[ENG_CVM_CVM_1969332-2_B.2d_dxf.zip](#)

English

Customer View Model

[ENG_CVM_CVM_1969332-2_B.3d_igs.zip](#)

English

Customer View Model

[ENG_CVM_CVM_1969332-2_B.3d_stp.zip](#)

English

By downloading the CAD file I accept and agree to the [Terms and Conditions](#) of use.

Datasheets & Catalog Pages

Positive Lock Receptacles

English

Product Specifications

Application Specification

English

Product Environmental Compliance

Product Compliance

English

Product Compliance

English

Agency Approvals

UL Report

English