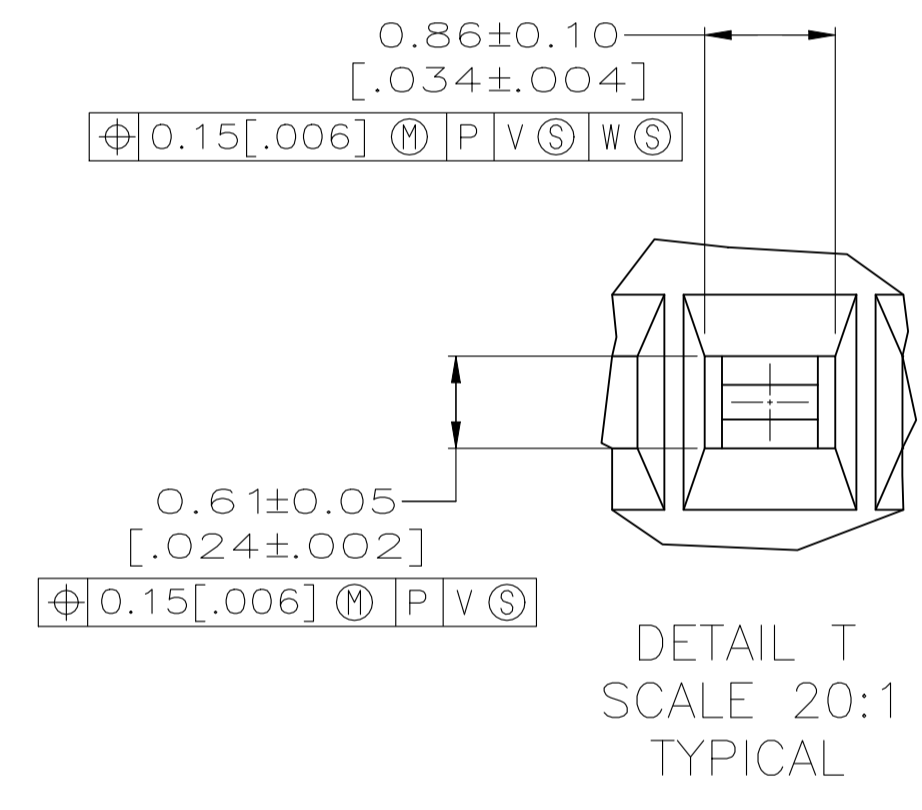
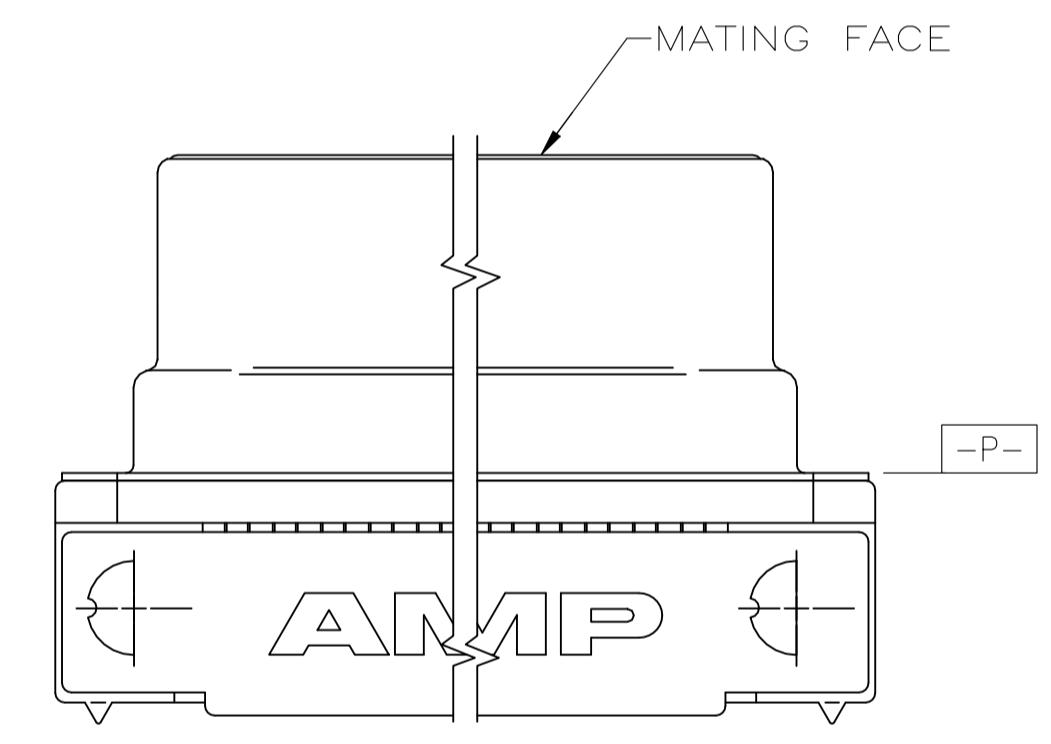
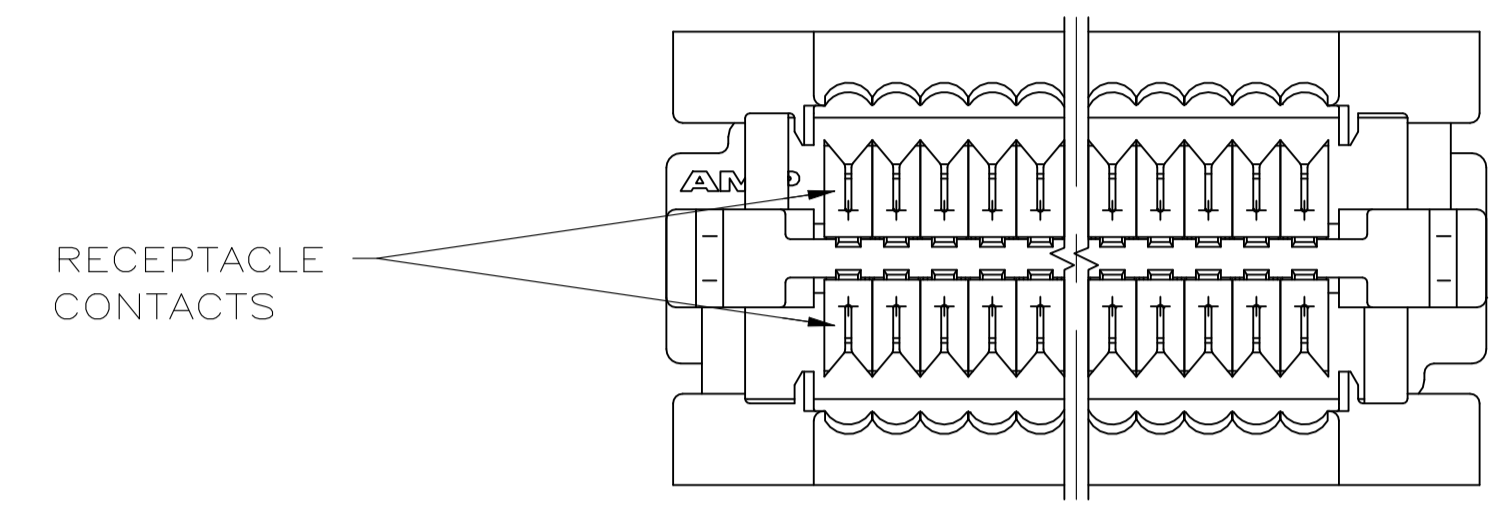
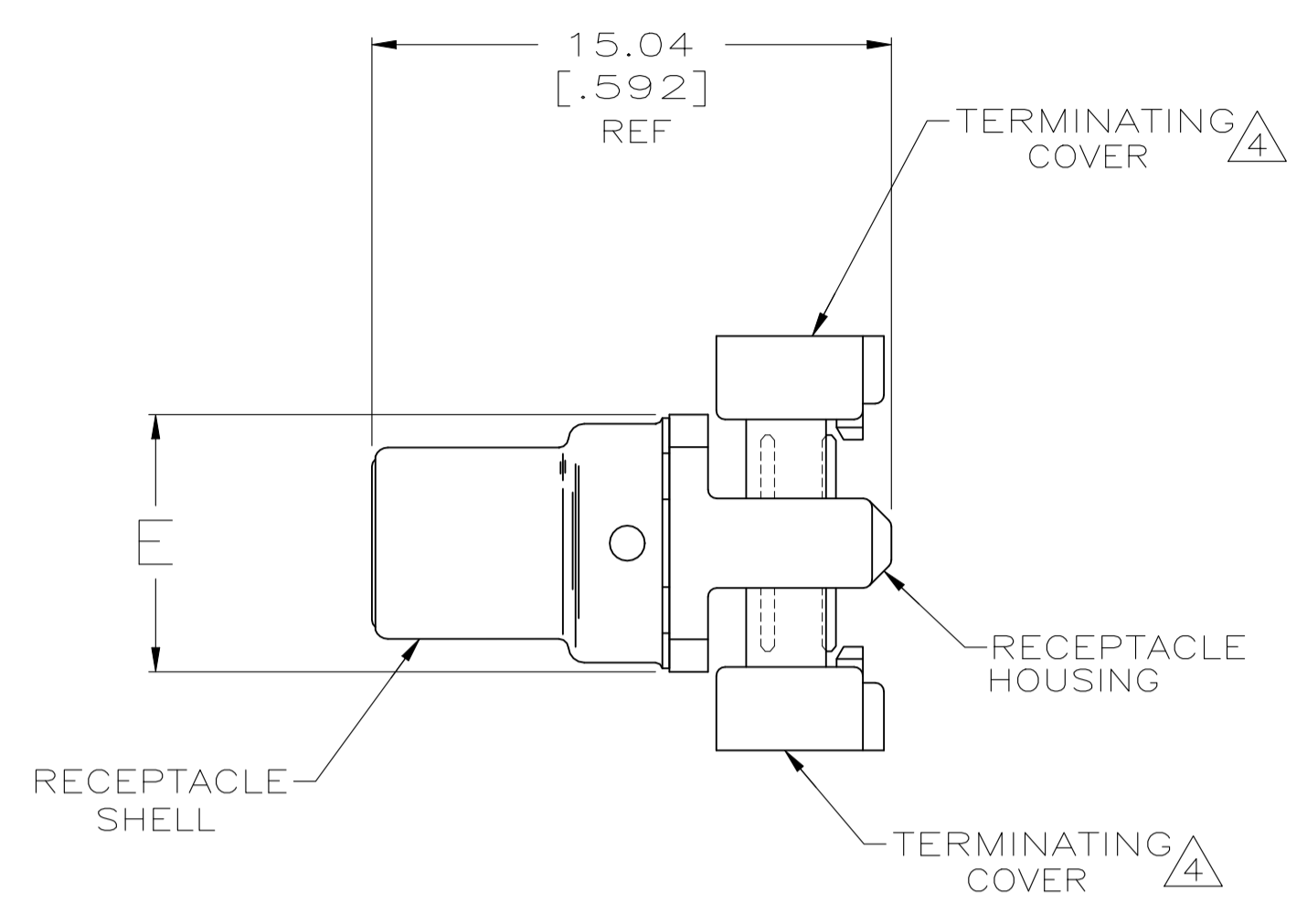
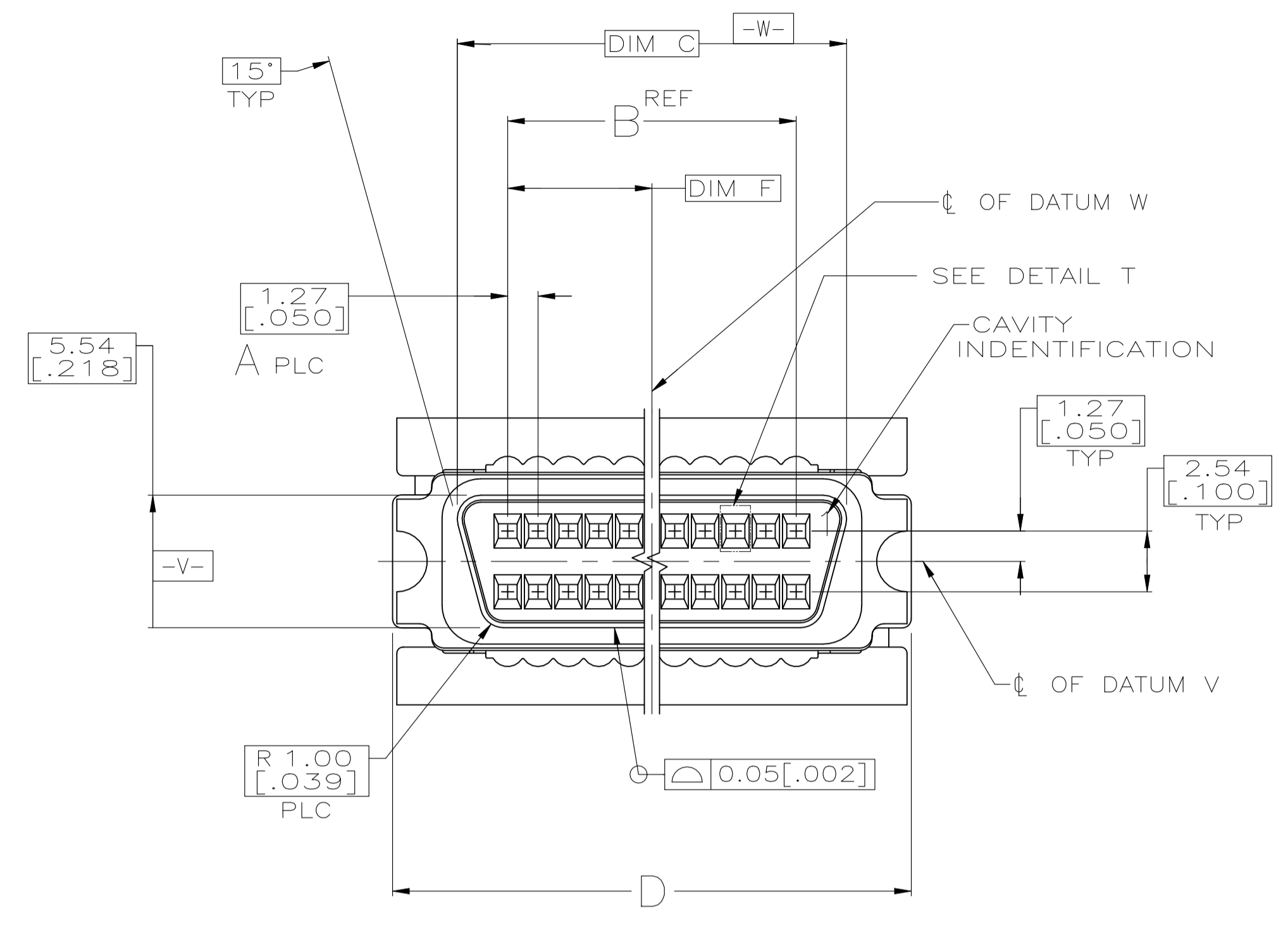


REVISIONS					
REV	DESCRIPTION	DATE	BY	APP'D	
E1	REVISED PER ECN-22-180882	21OCT2022	PT	SZ	



- 1 MATERIAL:
RECEPTACLE CONTACTS- PHOSPHOR BRONZE
RECEPTACLE SHELL- STEEL
RECEPTACLE HOUSING AND TERMINATING COVERS- UL V-0 RATED THERMOPLASTIC, COLOR: BLACK.
- 2 FINISH:
RECEPTACLE CONTACTS - EITHER 0.76µm [.000030] MINIMUM GOLD PLATE OR GOLD FLASH OVER PALLADIUM NICKEL PLATE, 0.76µm [.000030] MINIMUM TOTAL IN CONTACT AREA, 1.27µm [.000050] MINIMUM BRIGHT TIN PLATE IN TERMINATION AREA, ALL OVER 1.27µm [.000050] MINIMUM NICKEL.
RECEPTACLE SHELL- 5.08µm [.000200] MINIMUM BRIGHT NICKEL PLATE OVER 1.27µm [.000050] MINIMUM COPPER.
- 3. RECOMMENDED WIRE: 28 AWG OR 30 AWG, SOLID OR 7 STRANDED, PVC INSULATION WITH A 0.74-0.91 [.029-.036] INSULATION DIA.
- 4 TERMINATING COVERS ARE PACKAGED SEPERATELY.

OBSOLETE	31.12 [1.225]	9.47 [.373]	71.86 [2.829]	66.45 [2.616]	62.23 [2.450]	49	100	5749699-8
	20.96 [.825]	7.44 [.293]	51.54 [2.029]	46.13 [1.816]	41.91 [1.650]	33	68	5749699-7
	15.24 [.600]	7.44 [.293]	40.11 [1.579]	34.70 [1.366]	30.48 [1.200]	24	50	5749699-5
OBSOLETE	12.06 [.475]	7.44 [.293]	33.76 [1.329]	28.35 [1.116]	24.13 [.950]	19	40	5749699-4
	F	E	D	C	B	A	NO OF POSN	PART NO

**COPYRIGHT 2005
TE CONNECTIVITY CORP
ALL RIGHTS RESERVED**

THIS DRAWING IS A CONTROLLED DOCUMENT.

DIMENSIONS: mm [INCHES]	TOLERANCES UNLESS OTHERWISE SPECIFIED:	DIN G. ATTADIA - 02-23-05 S. SHUEFY 02-23-05	APVD M. WALMSLEY 02-23-05	NAME KIT, RECEPTACLE CABLE CONNECTOR ASSEMBLY, AMPLIMITE .050 Series
0. PLC ± -	1. PLC ± -	2. PLC ± 0.13 [.005]	3. PLC ± -	4. PLC ± -
MATERIAL		FINISH		SIZE A1
CUSTOMER DRAWING		SCALE 4:1		SHEET 1 of 1

WEIGHT -
 APPLICATION SPEC 108-1228
 APPLICATION SPEC 114-40029
 DRAWING NO 00779
 PART NO 5749699
 REV E1