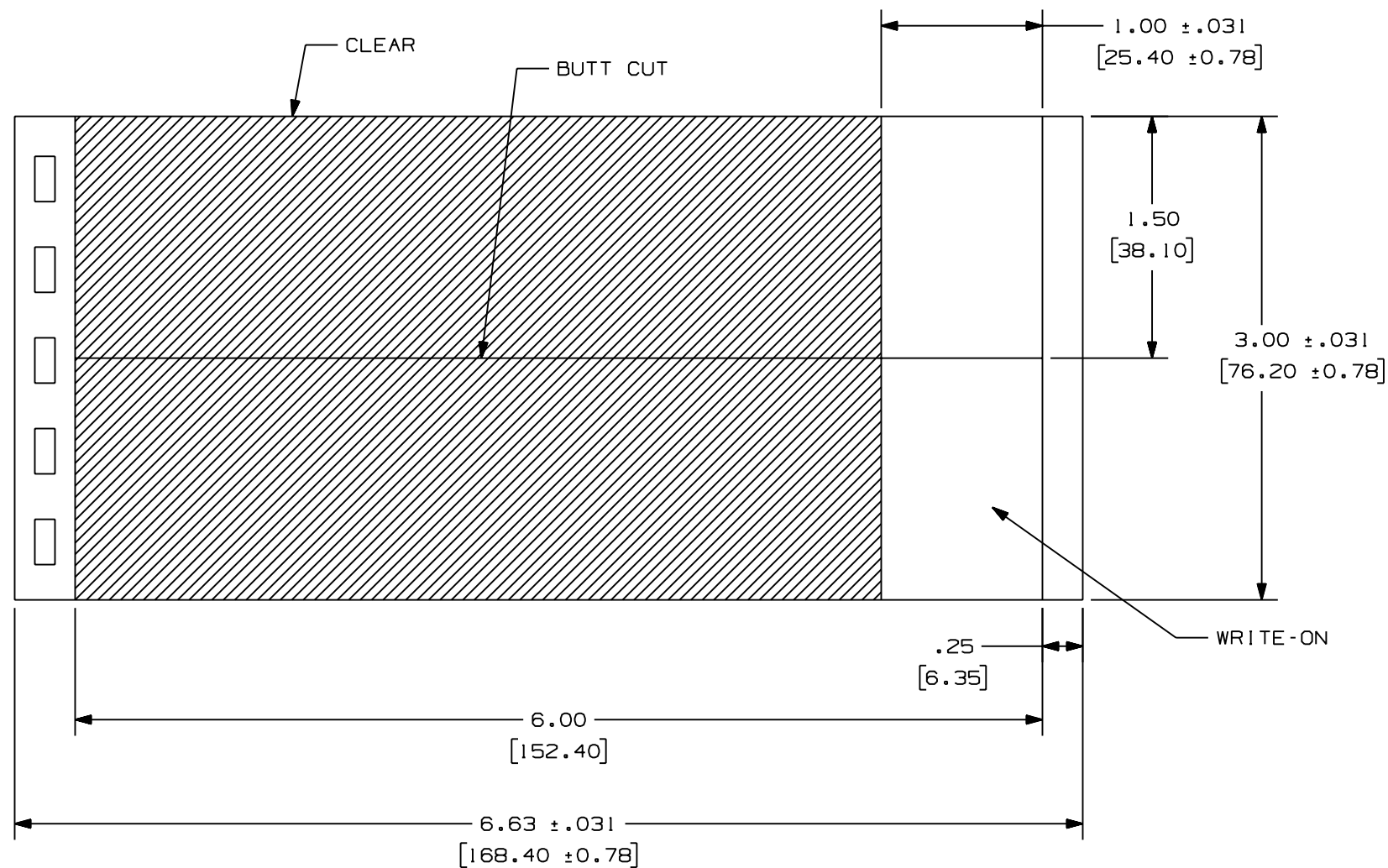


TABLE 1				
PART NO.	MATERIAL	WRITE-ON AREA	LABELS PER SHEET	SHEETS PER BOOK
PSCB-16	GMV3	WHITE	2	10
PSCB-16Y	GMV3	WHITE	2	10

* COMBINATION PKG:
2 BLACK, 2 BLUE, 2 GREEN, 2 RED, 2 YELLOW



NOTES:
1. SEE MFG. DWG. NO. A60324.
2. DIMENSION IN [] ARE IN MILLIMETERS.

CAD FILENAME/LAYERS		100619CL_C10368_PSCB_00.prt	
<h1>PANDUIT</h1> CORP TINLEY PARK, ILLINOIS CUSTOMER DRAWING PSCB-16, PSCB-16Y 1.50" X 6.00" LABEL			
UNLESS OTHERWISE SPECIFIED, DIMENSIONAL TOLERANCES ARE: (.X) ± .031 (.XXX) ± .010 (.XX) ± .015 ANGLES ±		UNLESS OTHERWISE SPECIFIED, ALL DIMENSIONS ARE GIVEN IN INCHES, THIRD ANGLE PROJECTION	
DRAWN BY MSA	MAT'L:	SCALE NTS	
DATE 8-18-05	SEE TABLE 1	DRAWING NO. C10368	DWG B SIZE
CHK'D			

REV	DATE	BY	CHK	DESCRIPTION	ECN	R	CUST	SUP
O	6-7-06	RVU		RELEASE TO PRODUCTION.	4542	R		
A	8-18-05	RVU		ENGINEERING RELEASE	0000	R		