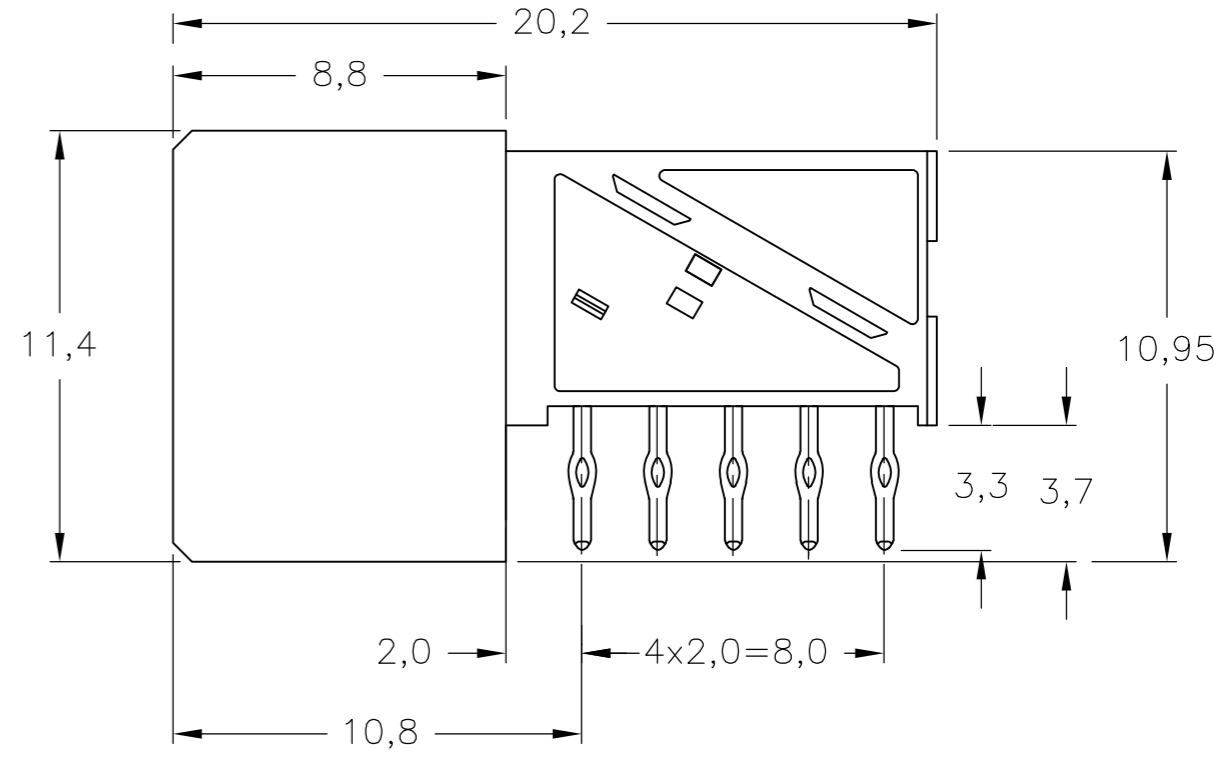
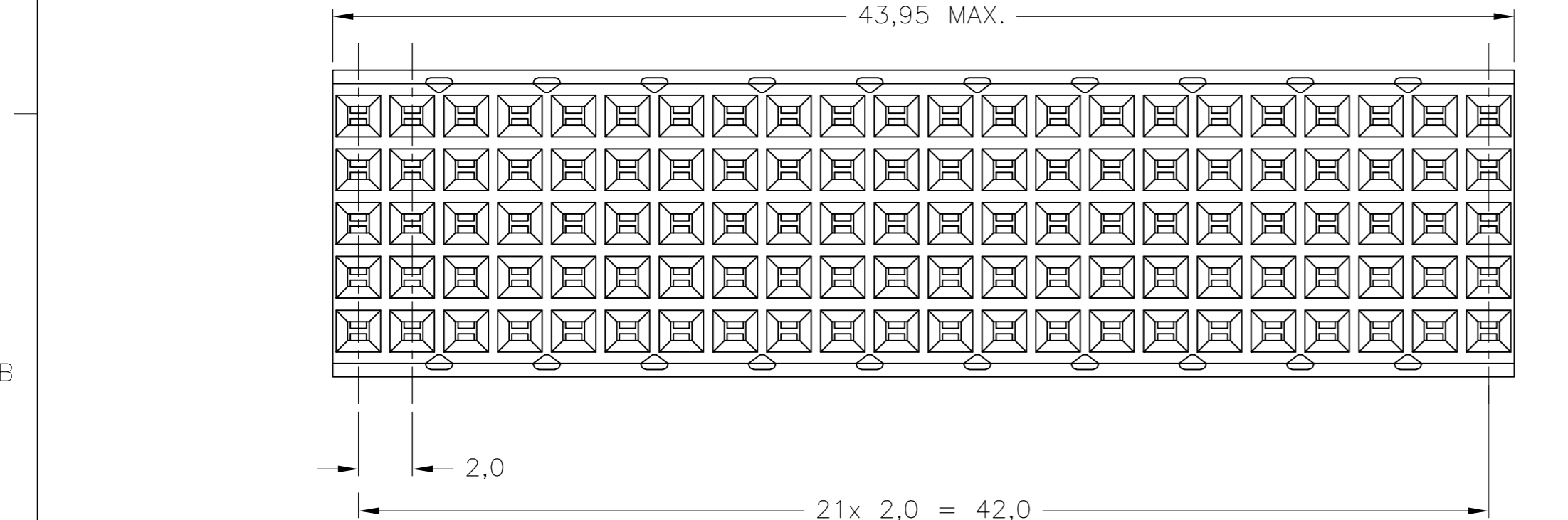
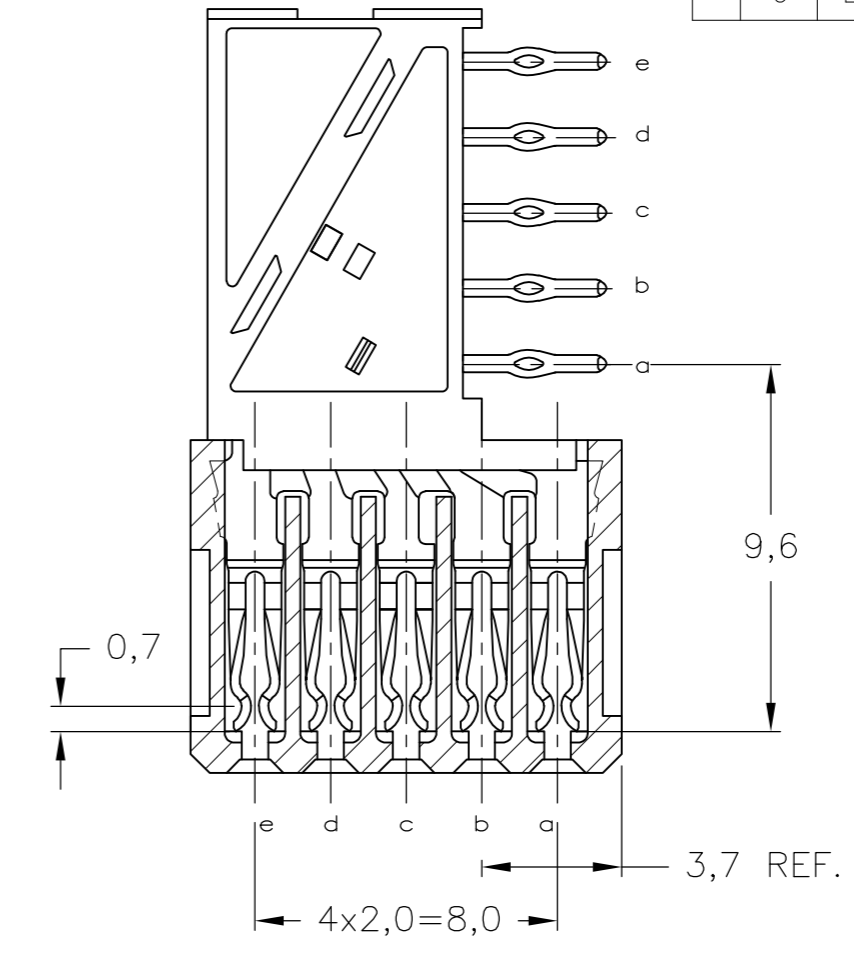
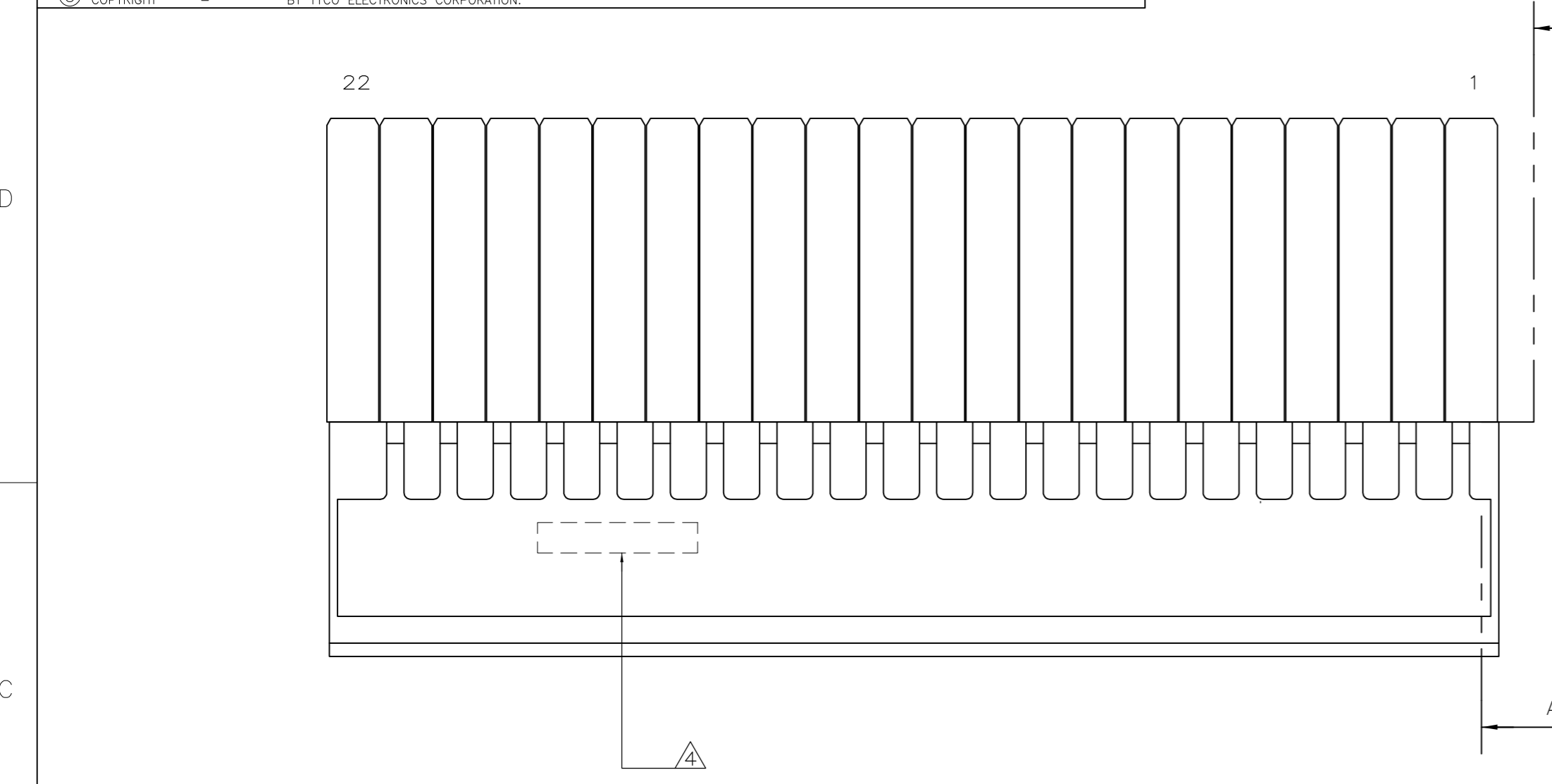
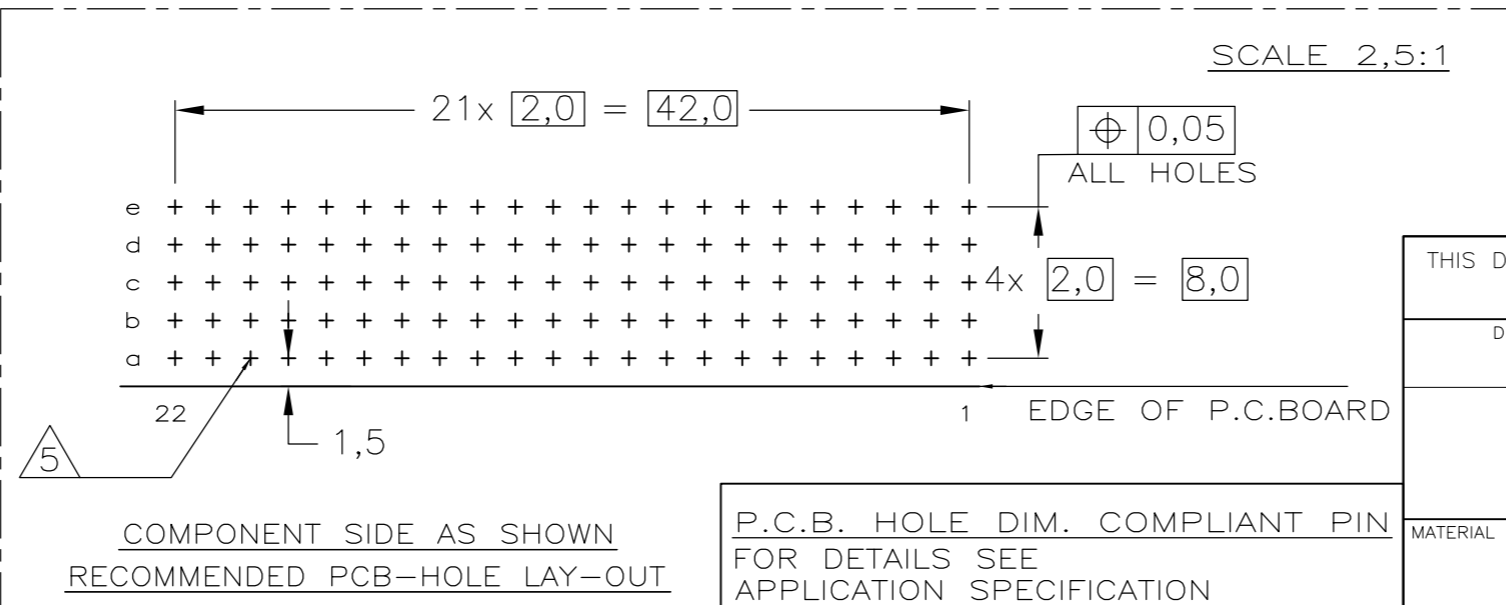


THIS DRAWING IS UNPUBLISHED. RELEASED FOR PUBLICATION
 © COPYRIGHT BY TYCO ELECTRONICS CORPORATION. ALL RIGHTS RESERVED.

LOC		DIST		REVISIONS			
P	LTR	DESCRIPTION	DATE	DWN	APVD		
A		FIRST ISSUE	23AUG2007	JvH	JB		
B		ECR-10-018652	10SEP10	SW	MQW		
C		ECO-11-024491	13DEC11	SY	MQW		



- NOTES:**
- MATERIAL CONTACT; PHOSPHORBRONZE
MATERIAL HOUSING; GLASSFILLED POLYESTER (GRAY)
UL-RATING 94V0.
 - GENERAL PLATING SPECIFICATION: UNDERPLATING
(ENTIRE CONTACT): 1,27µm NICKEL MIN. AND COMPLIANT
PIN SECTION: 0,5µm TIN MIN.
FOR PLATING OF MATING SURFACES SEE APPLICABLE
SPECIFICATION REFERENCE FOR EACH DASH NUMBER.
 - CONFORMS TO ALL TESTING ACCORDING IEC 61076-4-101
PERFORMANCE LEVEL 2.
 - CONNECTOR PRINTED WITH PARTNUMBER AND DATECODE
 - PLATED-THROUGH HOLES AT 2x2mm
SQUARE GRID. 110 HOLES
 - FITS WITH INTEGRATED GROUND RETURN UPPERSHIELD
BASIC P.N. 5352151



THIS DRAWING IS A CONTROLLED DOCUMENT.		DWN	23AUG2007	Tyco Electronics Corporation	
		CHK	23AUG2007	's-Hertogenbosch, 5222AR-32	
		APVD	23AUG2007	NAME	
		PRODUCT SPEC		Z-PACK 2mm HM	
		APPLICATION SPEC	108-19082	110 POS. FEMALE DAUGHTER CARD CONN.	
		WEIGHT	114-19029	(22 COLUMNS)	
		CUSTOMER DRAWING		SIZE	RESTRICTED TO
				A2	-
				CAGE CODE	DRAWING NO
				00779	C=1857992
				SCALE	SHEET
				5:1	1 OF 1
				REV	C