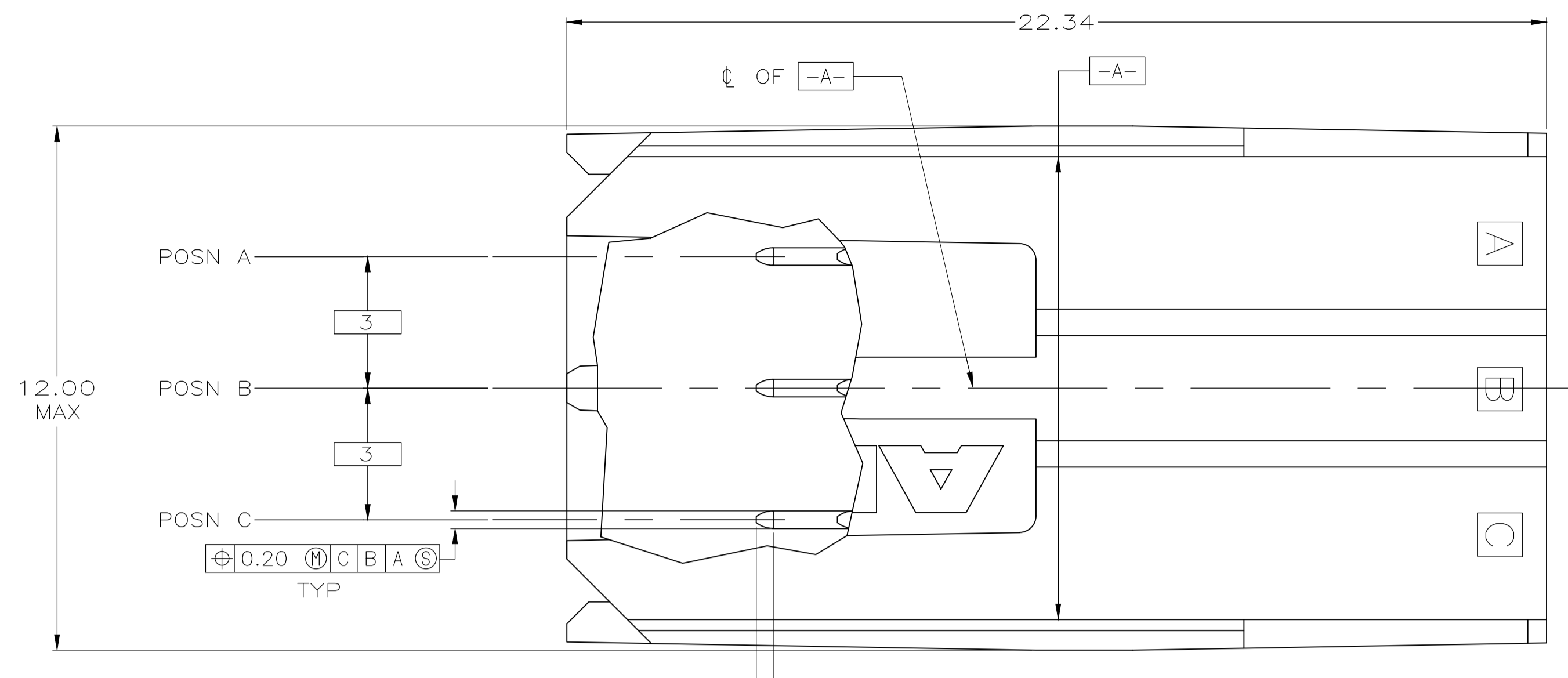
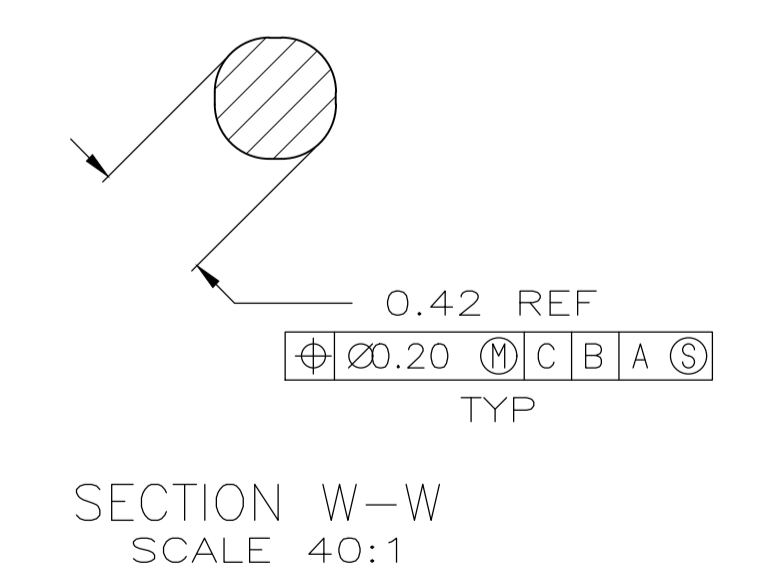
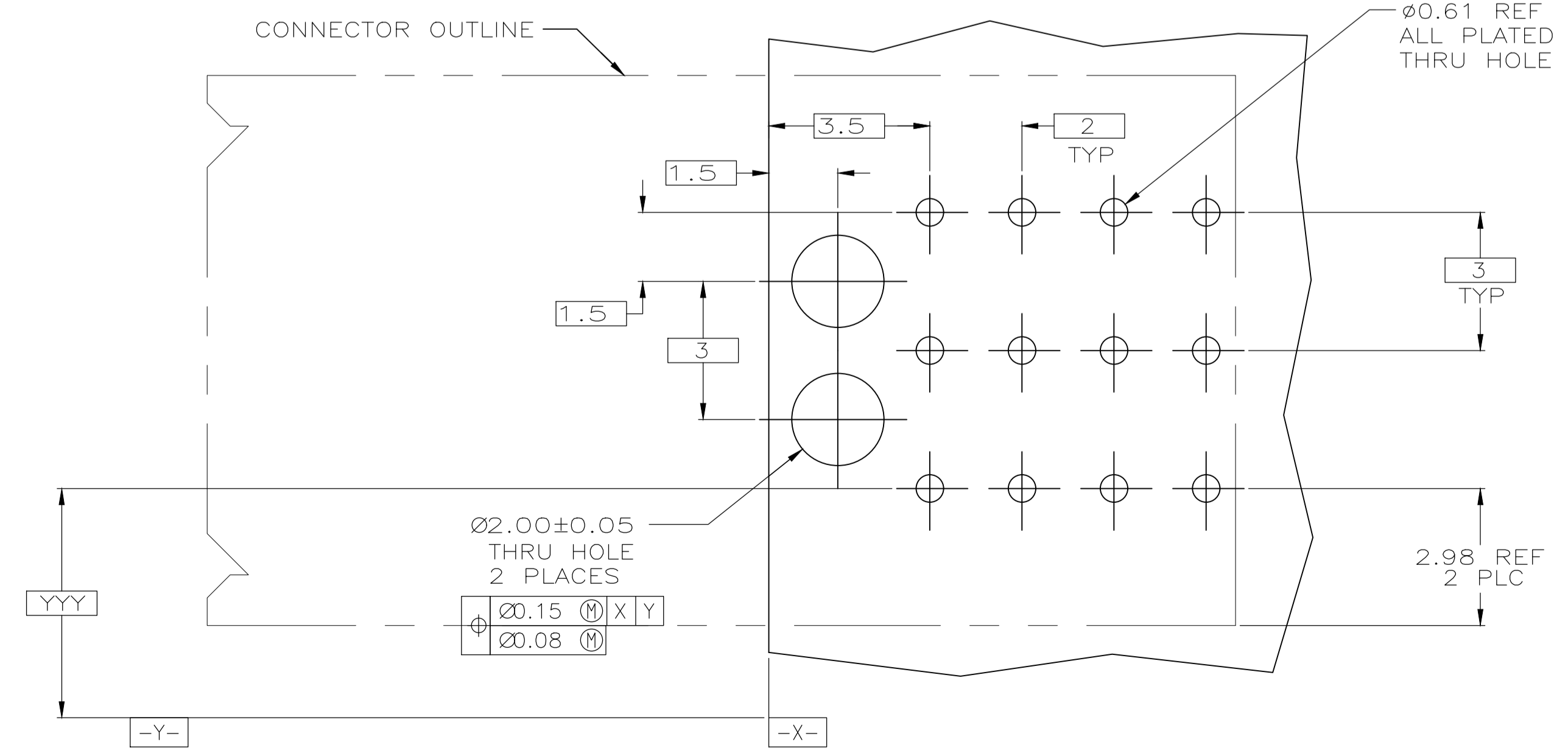
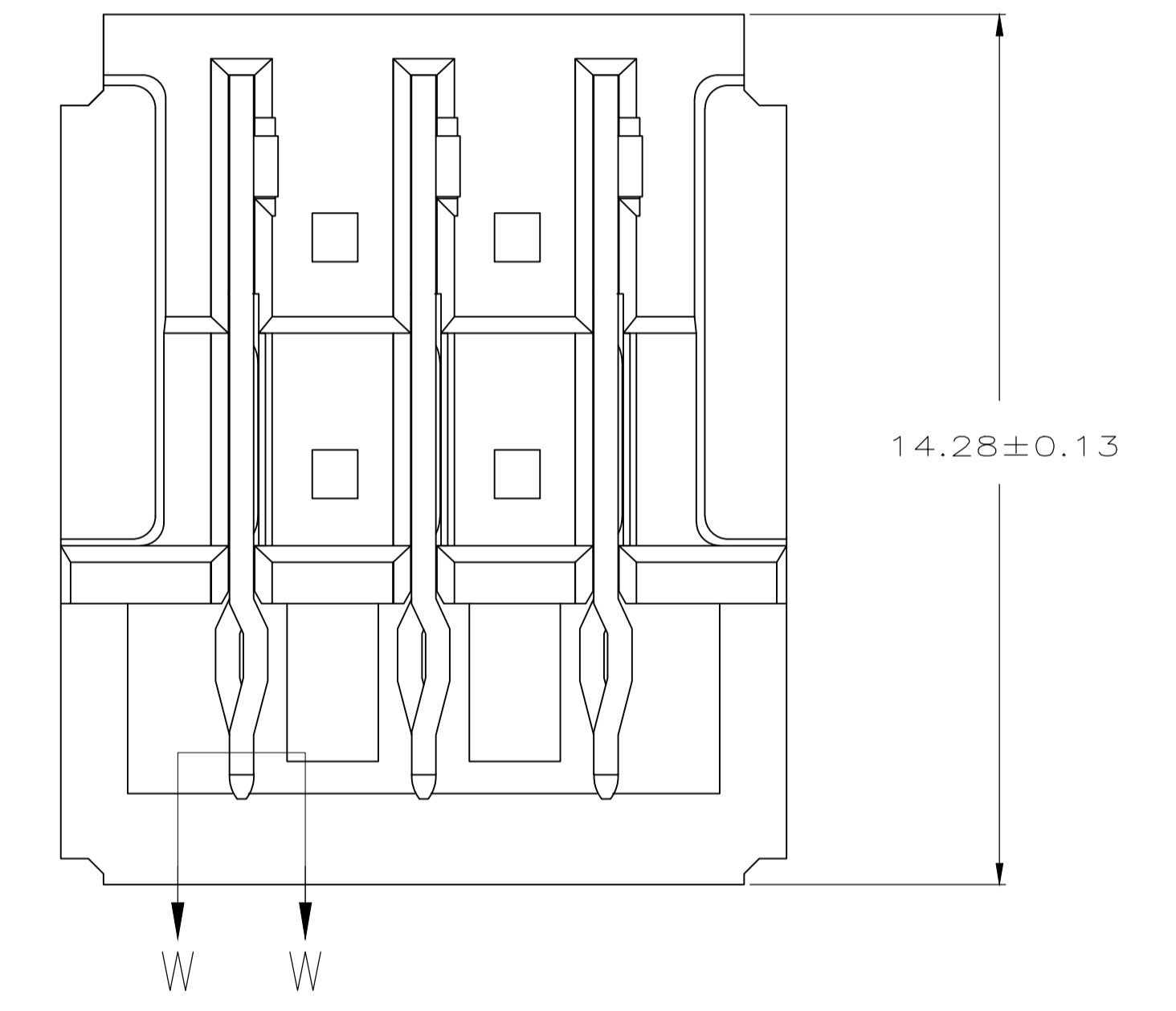
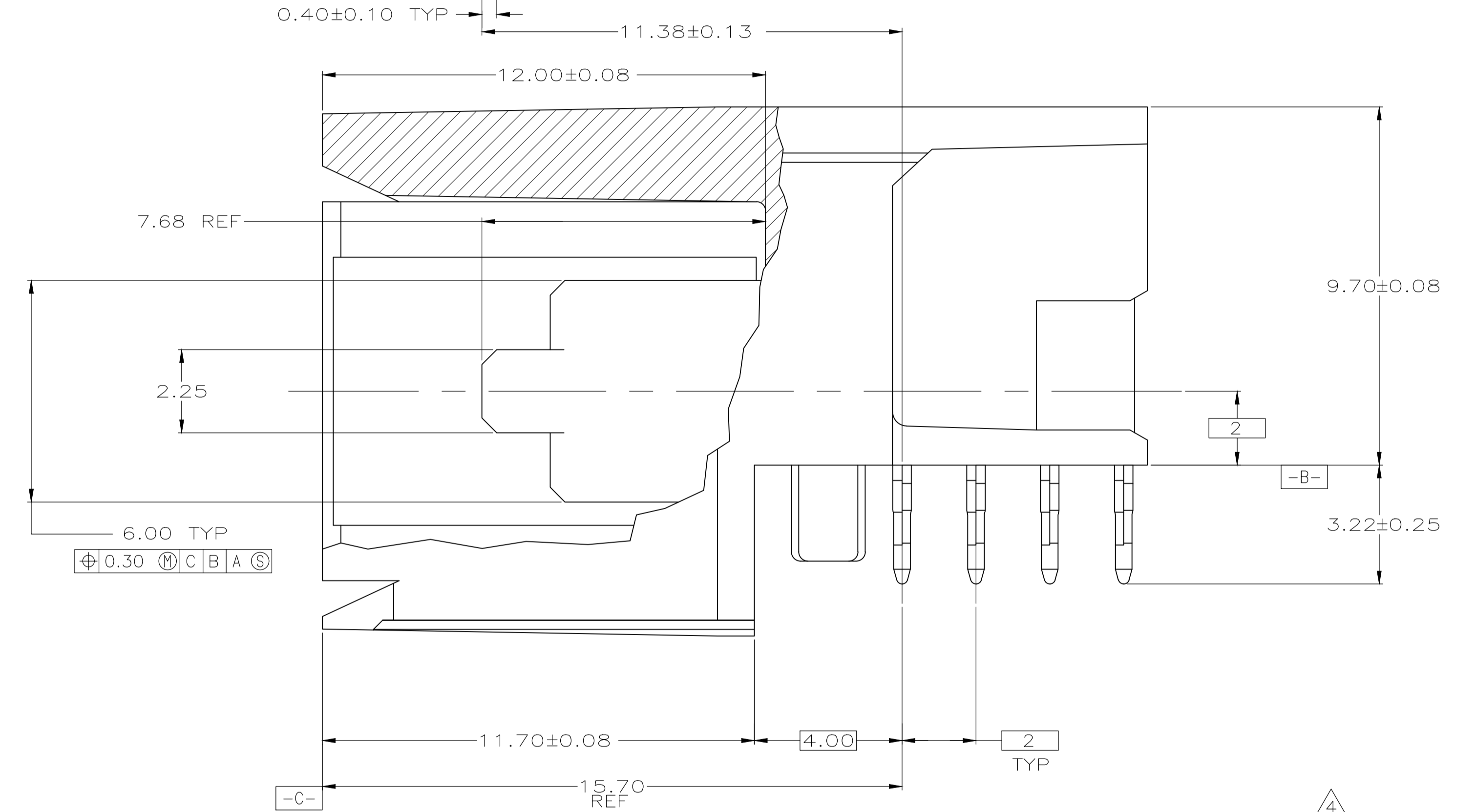
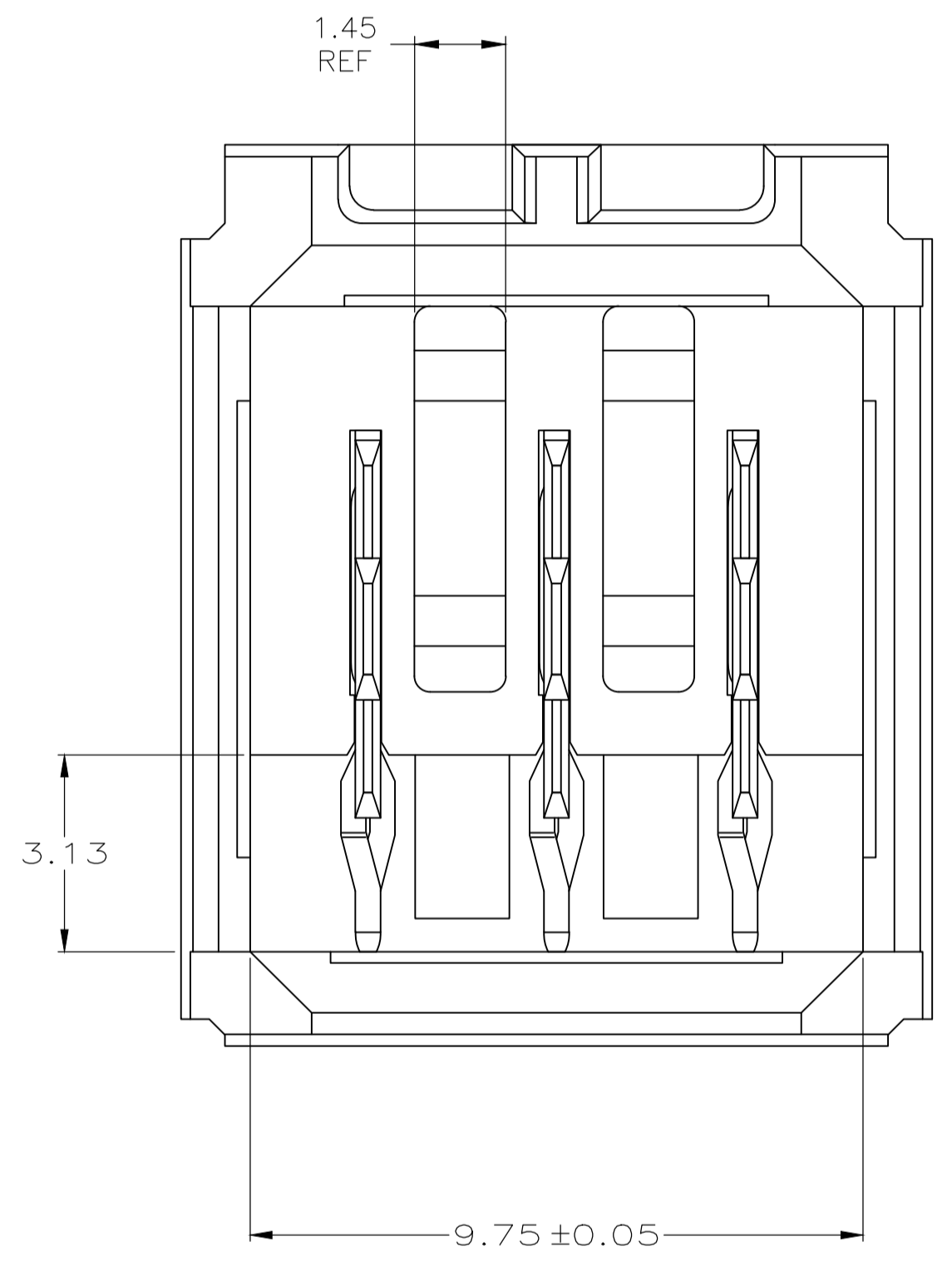


LOC		DIST		REVISIONS			
AD	00	REV	PER	DESCRIPTION	DATE	BY	APPROV
C1		REV	PER	ECO-20-004668	08JUN2020	ML	SZ



- 1 MATERIAL: HOUSING: POLYESTER. COLOR: GREY. UL 94V-O. CONTACT: COPPER ALLOY.
- 2 FINISH: IN ACCORDANCE WITH PRODUCT SPECIFICATION 108-1651, GOLD PLATING OR EQUIVALENT PLATING ON PRODUCT CONTACT MATING AREA, AND MATTE TIN PLATING ON COMPLIANT PIN AREA, ALL OVER MATTE NICKEL UNDERPLATED. DETAIL PLEASE REFER TO PRODUCT SPECIFICATION 108-1651.
- 3 FINISH: CONTACT LUBRICATION WITH BELLCORE APPROVED LUBRICANT. TECHNICAL REFERENCE: TR-NWT-001217 ISSUE 1, SEPT 1992.
- 4 REFERENCE APPLICATION SPEC 114-1103 FOR RECOMMENDED PLATED THRU HOLE DIAMETER AND PLATING THICKNESS.
- 5 CURRENT RATING 10A/CONTACT PER PRODUCT SPEC 108-1651.



5223977-1
PART NUMBER

THIS DRAWING IS A CONTROLLED DOCUMENT.		DIN: B. CARBO 130EC04	Tyco Electronics Corporation Tyco Electronics Corporation Harrisburg, PA 17105-3608	
DIMENSIONS: mm		CHK: R. PATTERSON 130EC04	NAME: R. PATTERSON 130EC04	
TOLERANCES UNLESS OTHERWISE SPECIFIED:		PRODUCT SPEC: 108-1651		
0. PLC ± -		APPLICATION SPEC: 114-1103		
1. PLC ± -		SIZE: A1		
2. PLC ± 0.13		CASE CODE: 00779		
3. PLC ± -		DRAWING NO: 5223977		
4. PLC ± -		RESTRICTED TO: -		
ANGLES ± -		MATERIAL: -		
FINISH: 1, 2, 3		WEIGHT: -		
MATERIAL: 1		CUSTOMER DRAWING: -		
		SCALE: 10:1		
		SHEET: 1 of 1		
		REV: C1		