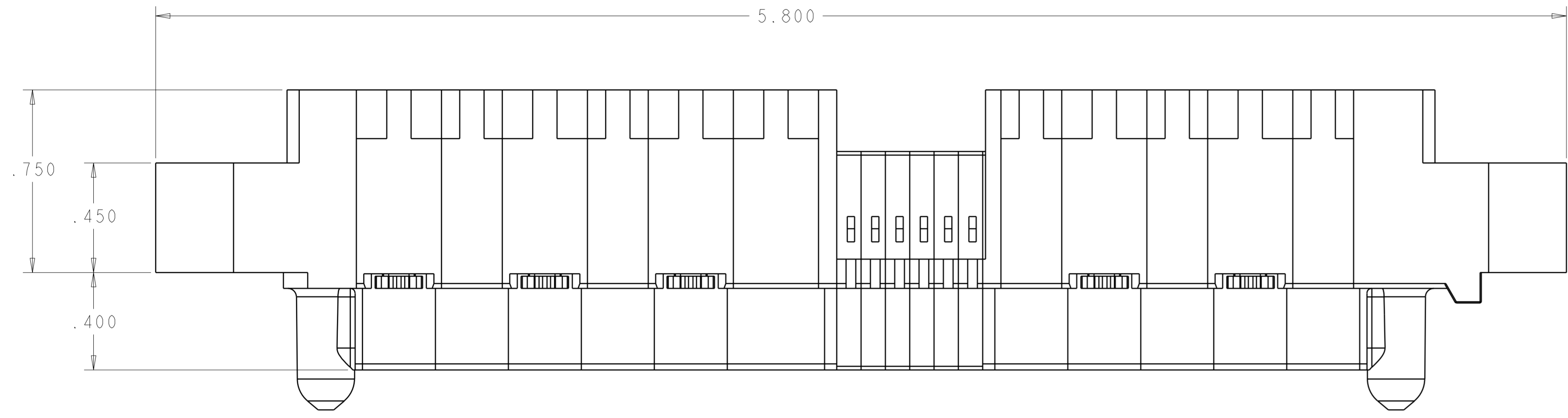
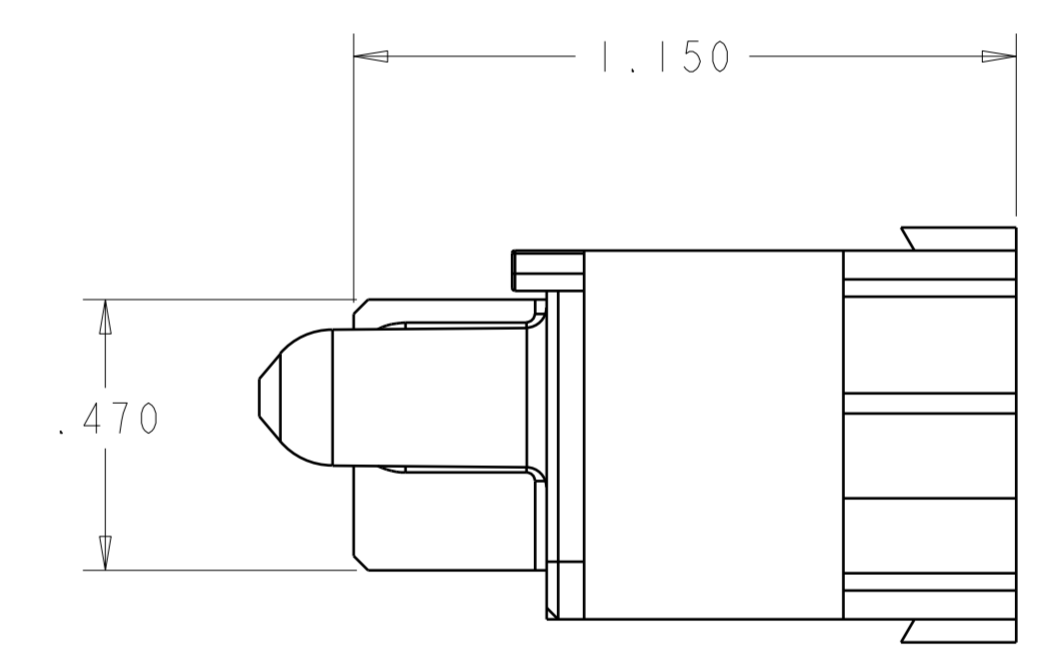
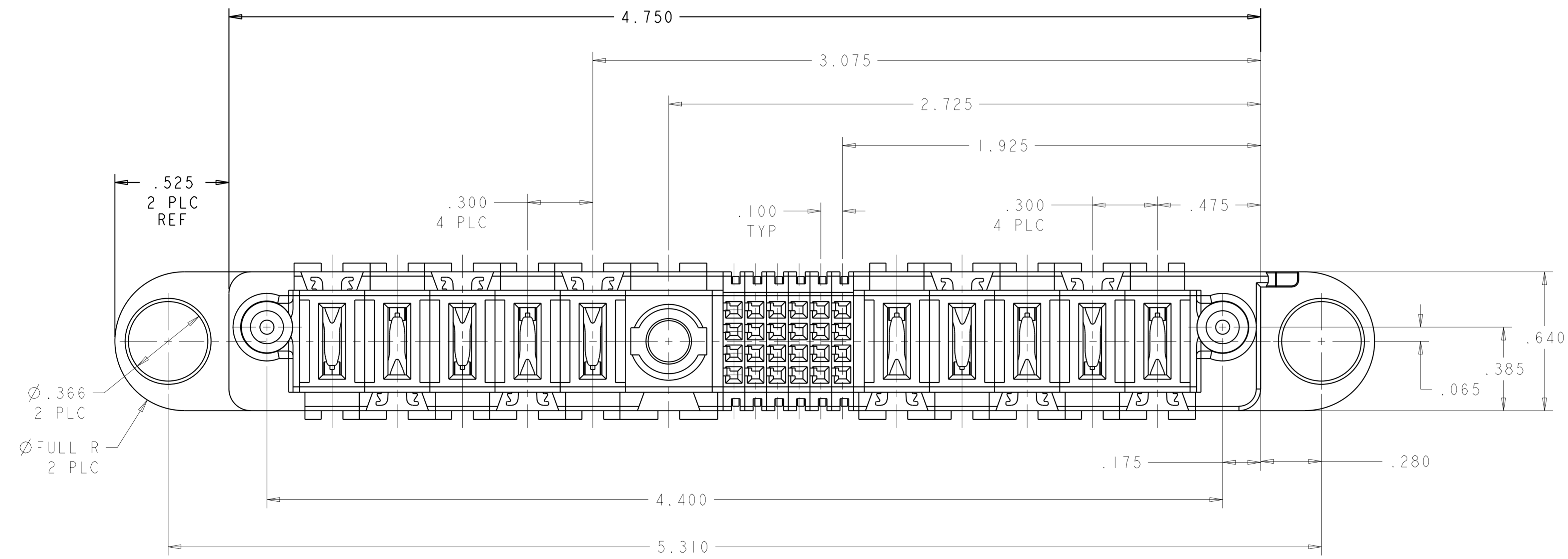


LOC	DIST	REVISIONS					
ES	00	P	LTR	DESCRIPTION	DATE	DWN	APVD
		1		PROPOSAL DESIGN	31MAR2006	SZ	SY
		2		REVISED	29APR2006	SZ	SY
		3		REVISED	08MAY2006	SZ	SY
		4		REV PER ECR-06-024870	23OCT2006	SZ	SY



- 1 COMPANY TRADEMARK, PART NUMBER, AND DATE CODE TO BE MARKED IN AREA SHOWN PARTS UNDER 2.00 LONG MAY BE MARKED ON BOTH SIDES.
- 2 MATERIAL: THERMO PLASTIC, UL94 V-0.
- 3 DATUM LOCATIONS AND BASIC DIMENSIONS TO BE ESTABLISHED BY THE CUSTOMER.
- 4 BULKHEAD THICKNESS RANGE: .031 - .100.
- 5 CONNECTOR MATED TO PANEL FROM OPPOSITE SIDE.
- 6 NO BURRS ALLOWED ON OPPOSITE (MATING) SIDE.
- 7 CONNECTOR KEEP OUT ZONE.
- 8 MOUNT CONNECTOR WITH TYCO HARDWARE KIT (SEE TABLE) FOR .050 [1.27mm] MIN RADIAL FLOAT.



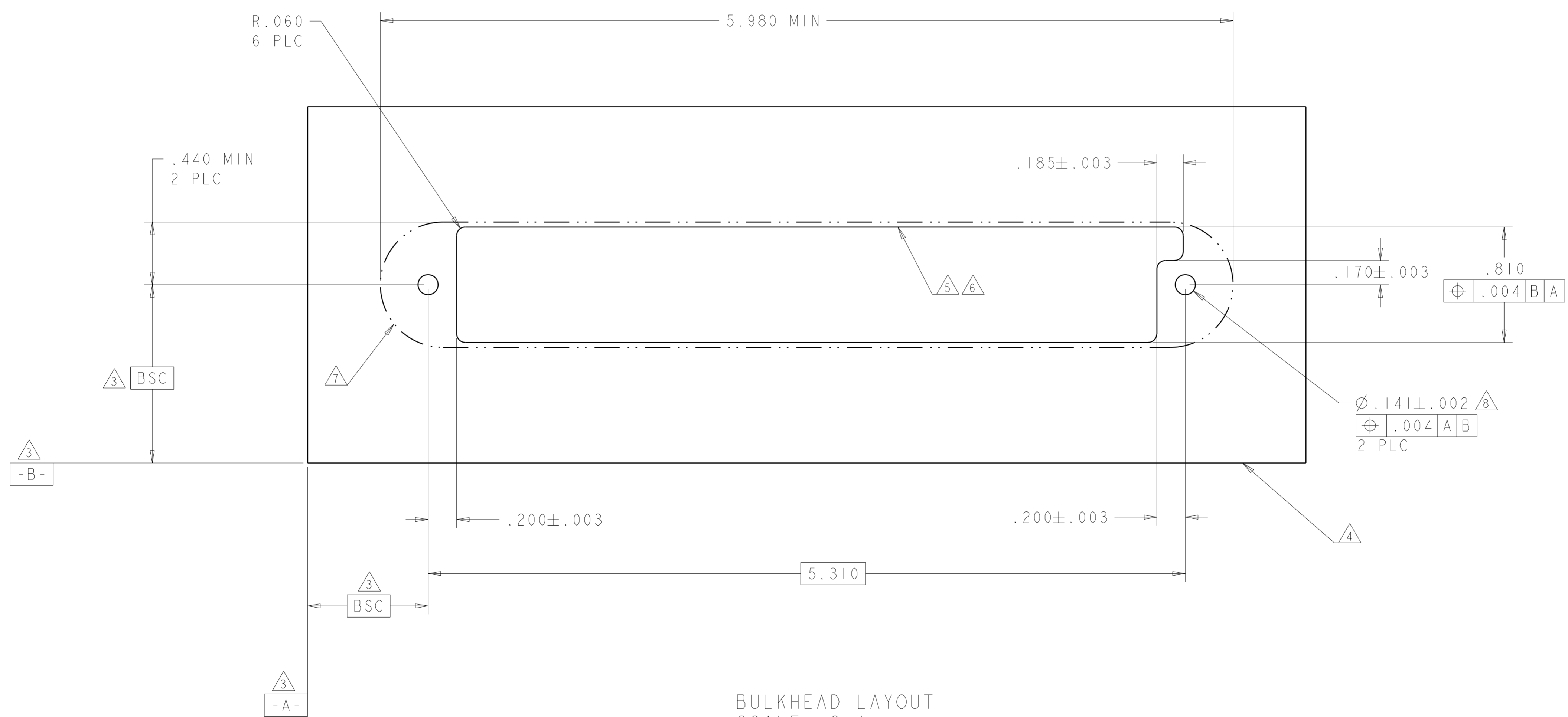
1600914-1	5ACP + 24S + IRF + 5ACP	292491-2
1600914-1	5ACP + 24S + IRF + 5ACP	292491-1
KIT P/N	DESCRIPTION	PART NUMBER

DIMENSIONS: INCHES 		TOLERANCES UNLESS OTHERWISE SPECIFIED: 0 PLC ± 1 PLC ± 2 PLC ±.01 3 PLC ±.005 4 PLC ±.002 ANGLES ±30°	DWN: S. ZHAO CHK: S. ZHAO APVD: S. YAO PRODUCT SPEC: 108-2157 APPLICATION SPEC: 114-13112 WEIGHT: -	23-Oct-06 31MAR2006 NAME: S. YAO Tyco Electronics Incorporated Shanghai, P.R. China, 200233	PANEL MOUNT CABLE WITH GUIDES MULTI-BEAM XL W/ COAX	SIZE: A CODE: 00779 DRAWING NO: C=292491 RESTRICTED TO: -
MATERIAL: - FINISH: -			CUSTOMER DRAWING		SCALE: 1:1 SHEET 1 OF 2 REV 4	

LOC	DIST	REVISIONS			
ES	00	REV	DATE	BY	APVD
		1			
		2			
		3			
		4			

PART NUMBER	ROWS	POWER					SIGNAL					POWER					
		P10	P9	P8	P7	P6	6	5	4	3	2	1	P5	P4	P3	P2	P1
292491-1	D C B A	RM	RM	RM	RM	RA	E	E	E	E	E	E	RM	RM	RM	RM	RM
5ACP + 24S + 1RF + 5ACP																	

PART NUMBER	ROWS	POWER					SIGNAL					POWER					
		P10	P9	P8	P7	P6	6	5	4	3	2	1	P5	P4	P3	P2	P1
292491-2	D C B A	RM	RM	RM	RM	RM	E	E	E	E	E	E	RA	RM	RM	RM	RM
5ACP + 24S + 1RF + 5ACP																	



BULKHEAD LAYOUT
SCALE 2:1

RA	MFBL POWER CONTACT
RM	STD POWER CONTACT
E	SIGNAL CONTACT
CODE	DESCRIPTION

<small>THIS DRAWING IS A CONTROLLED DOCUMENT FOR TYCO ELECTRONICS CORPORATION. IT IS SUBJECT TO CHANGE AND THE CONTROLLING ENGINEERING DEPARTMENT SHOULD BE CONTACTED FOR THE LATEST REVISION.</small>		DWN 23-Oct-06 S. ZHAO 31MAR2006 S. YAO S. YAO	Tyco Electronics Incorporated Shanghai, P.R. China, 200233
DIMENSIONS: INCHES 	TOLERANCES UNLESS OTHERWISE SPECIFIED: 0 PLC ± 1 PLC ± 2 PLC ±.01 3 PLC ±.005 4 PLC ±.002 ANGLES ±30°	NAME PRODUCT SPEC 108-2157 APPLICATION SPEC 114-13112 WEIGHT CUSTOMER DRAWING	PANEL MOUNT CABLE WITH GUIDES MULTI-BEAM XL W/ COAX SIZE A 00779 C=292491 SCALE 1:1 SHEET 2 OF 2 REV 4