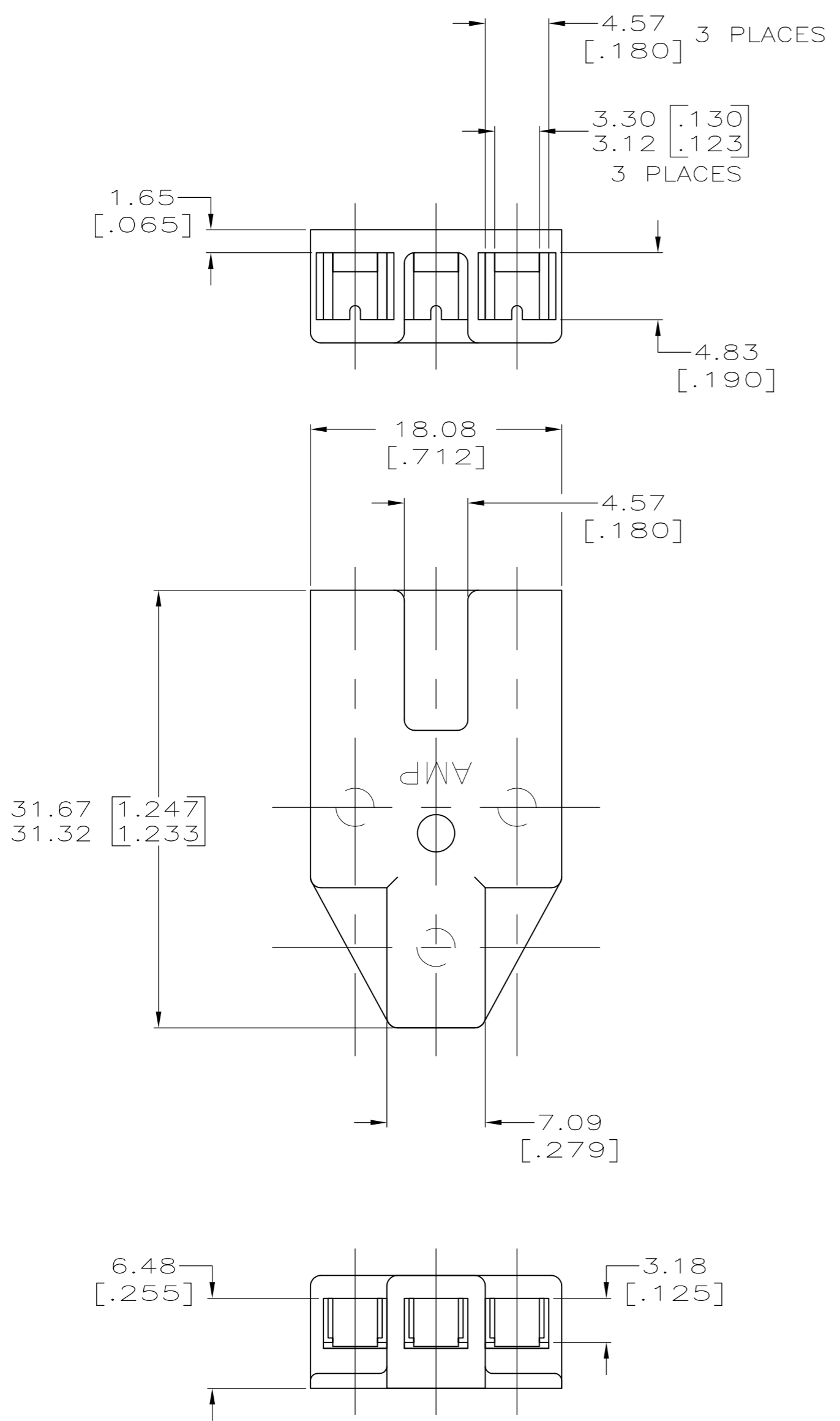
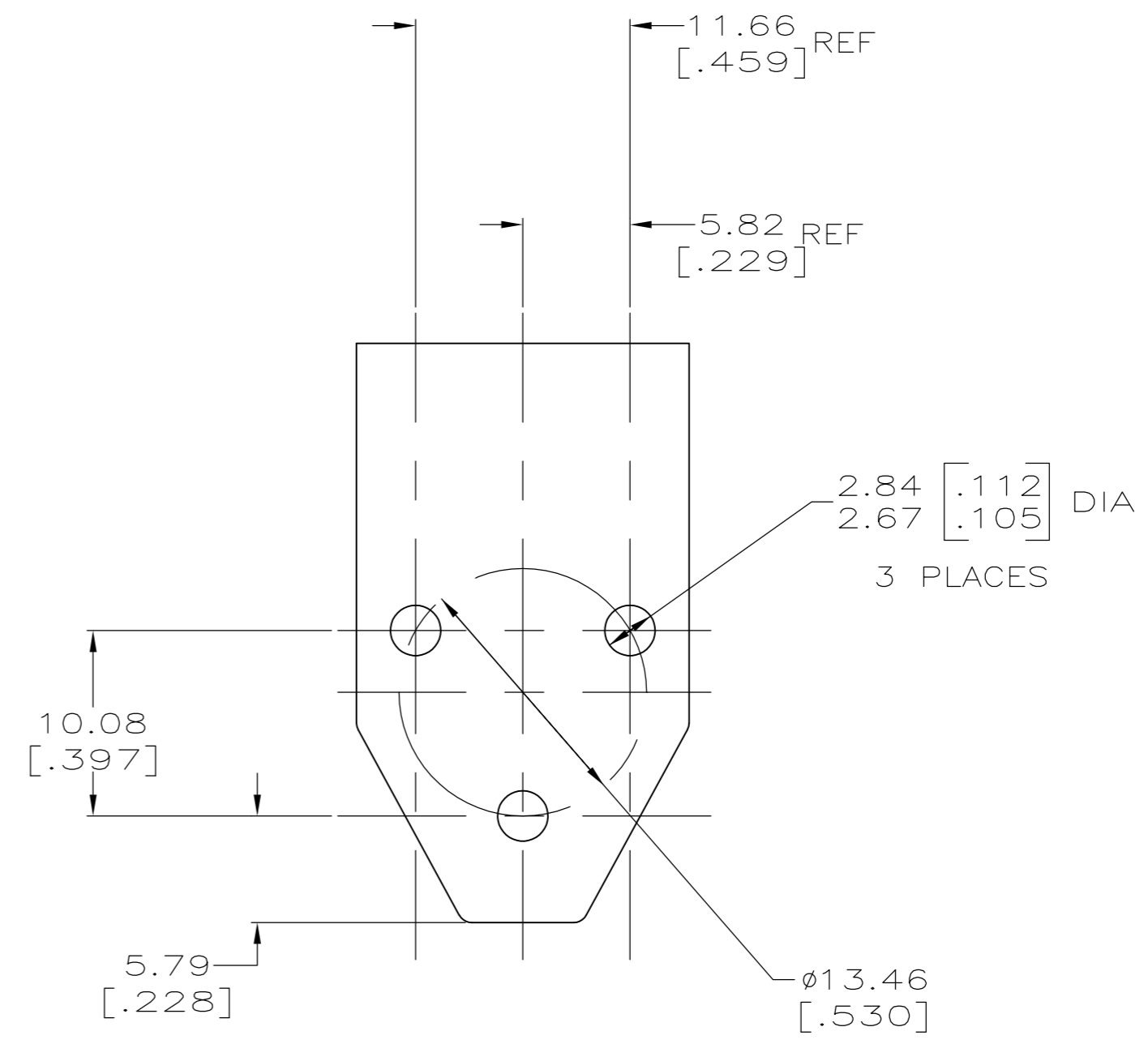


THIS DRAWING IS UNPUBLISHED. RELEASED FOR PUBLICATION
 © COPYRIGHT BY TYCO ELECTRONICS CORPORATION. ALL INTERNATIONAL RIGHTS RESERVED.

LOC		DIST		REVISIONS			
P	LTR	DESCRIPTION		DATE	DWN	APVD	
AF	50	K		REVISED PER ECR-09-006862	12AUG09	HMR	GJ



- 1 HOUSING ACCEPTS 2.29 [.090] DIA CLUSTER BLOCK PIN RECEPTACLE.
- 2 PRELIMINARY - NOT FOR PRODUCTION



VALOX 420 OR EQUIVALENT	2 360050-2
PBT UNFILLED	360050-1
MATERIAL	PART NUMBER

THIS DRAWING IS A CONTROLLED DOCUMENT.		DWN 03NOV1999 MICHAEL S. FEHER	Tyco Electronics Corporation Harrisburg, PA 17105-3608	
DIMENSIONS: mm		CHK 05NOV1999 PETE DESANTIS	NAME HOUSING, CLUSTER BLOCK, 2.29 [.090] DIA	
TOLERANCES UNLESS OTHERWISE SPECIFIED:		APVD 05NOV1999 PETE DESANTIS	PRODUCT SPEC 108-2008	
0 PLC ± -		APPLICATION SPEC 114-2019		
1 PLC ± -		WEIGHT -		
2 PLC ± 0.25[.010]		SIZE A2 CAGE CODE 00779 C=360050		
3 PLC ± -		DRAWING NO 360050		
4 PLC ± -		RESTRICTED TO -		
ANGLES ± 30		SCALE 3:1 SHEET 1 OF 1 REV K		
FINISH NATURAL		CUSTOMER DRAWING		