

4

3

2

1

THIS DRAWING IS UNPUBLISHED.

RELEASED FOR PUBLICATION

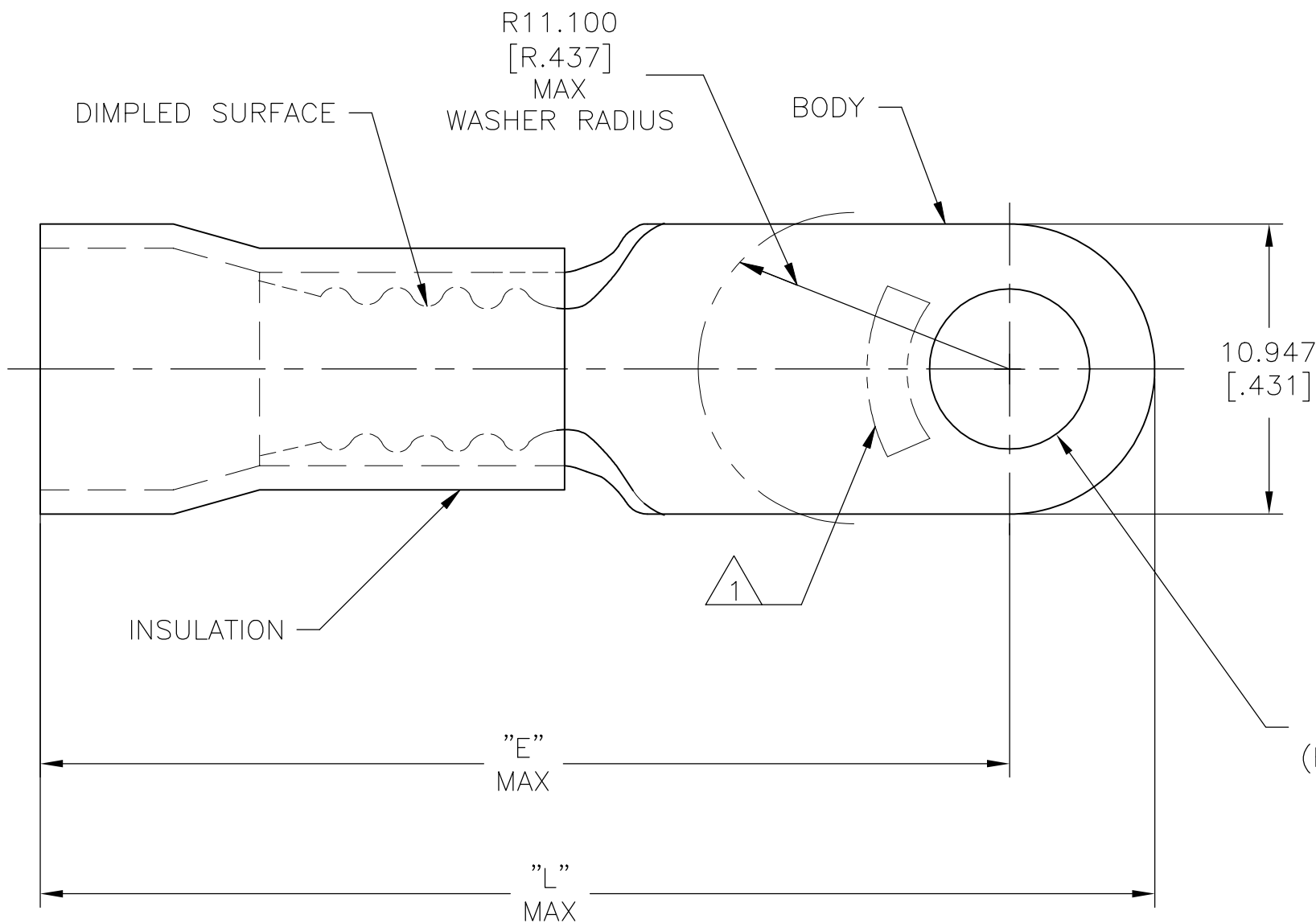
© COPYRIGHT - TE Connectivity Ltd.

ALL RIGHTS RESERVED.

REVISIONS

| P | LTR | DESCRIPTION               | DATE      | DWN | APVD |
|---|-----|---------------------------|-----------|-----|------|
|   | H1  | REVISED PER ECO-11-002228 | 11FEB11   | HMR | DR   |
|   | H2  | REVISED PER ECO-17-014338 | 09APR2018 | RS  | DR   |


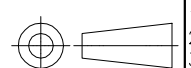
|                          |   |  |
|--------------------------|---|--|
| <b>AMP</b><br>WIRE RANGE |  FILE E13288 |  LR7189 Certified |
| 8 AWG STRANDED           | 8 AWG STRANDED  | 8 AWG STRANDED   |



- 1 STAMP AMP 8\* LOCATE APPROX AS SHOWN
- 2 BODY MATERIAL THK 0.991±0.051 [.039±.002]
- 3 TAPE ITEMS ARE ON 30.480 [1.200] CENTERS
- 4 BODY: COPPER PER ASTM B-152, INSULATION: PVC
- 5 BODY: TIN PLATE PER ASTM B-545 INSULATION COLOR-RED
- 6 NOTE DELETED

ø6.731±0.127  
[ø.265±.005]  
(FOR M6[1/4] STUD)

|                        |                |                |     |                 |         |
|------------------------|----------------|----------------|-----|-----------------|---------|
| 9.144 [.360]           | 34.392 [1.354] | 39.649 [1.561] | 500 | 55621-1 ON TAPE | 55621-2 |
|                        |                |                | 100 | LOOSE PIECE     | 55621-1 |
| WIRE INSULATION OD MAX | "E"            | "L"            | QTY | PACKAGE TYPE    | PART NO |

|  |   |  |                                 |  |                    |
|--|---|--|---------------------------------|--|--------------------|
| MAX RECOMMENDED OPERATING TEMPERATURE:<br>105°C [221°F]      | THIS DRAWING IS A CONTROLLED DOCUMENT.  |  | DWN<br>S.S. GOULDEN<br>10-12-93 |  TE Connectivity Ltd. |                    |
|  | DIMENSIONS:<br>mm [INCHES]  | TOLERANCES UNLESS OTHERWISE SPECIFIED: | CHK<br>R. HERSEY<br>10-12-93    |  |                    |
| VOLTAGE RATING:<br>600 V MAX                                 |  | 0 PLC ± -                              | APVD<br>M ELLIS<br>10-12-93     | NAME<br>TERMINAL, RING TONGUE,<br>PLASTI-GRIP,<br>WIRE SIZE: 8 AWG   |                    |
| CIRCULAR MIL AREA:<br>6.64-10.54mm² [13,100-20,800] STRANDED |   | 1 PLC ± -                              | 2 PLC ± -                       |  |                    |
|  | MATERIAL  | 3 PLC ± 0.127 [.005]                   | APPLICATION SPEC<br>114-2161    | SIZE<br>A3   | CAGE CODE<br>00779 |
|  |   | 4 PLC ± -                              | WEIGHT                          | DRAWING NO<br>C-55621  | RESTRICTED TO<br>- |
|  |   | 4 ANGLES ± -                           | CUSTOMER DRAWING                | SCALE<br>4:1   | SHEET<br>1 of 1    |
|  |   | FINISH                                 |                                 | REV<br>H2  |                    |