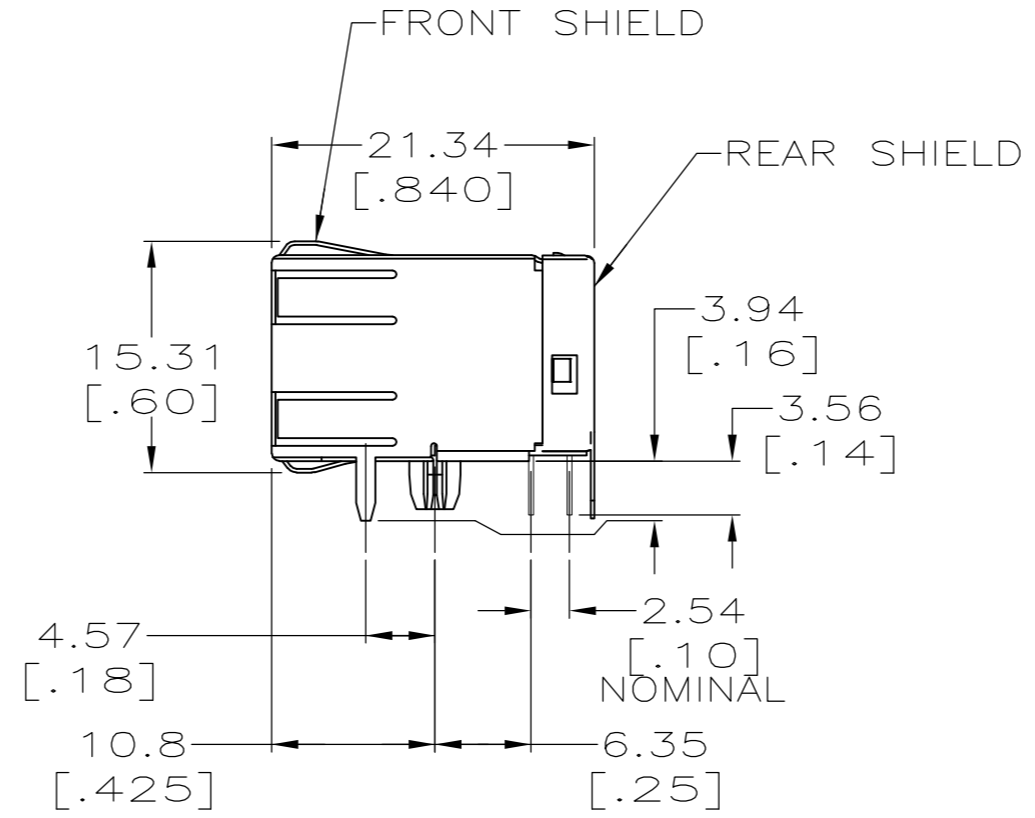
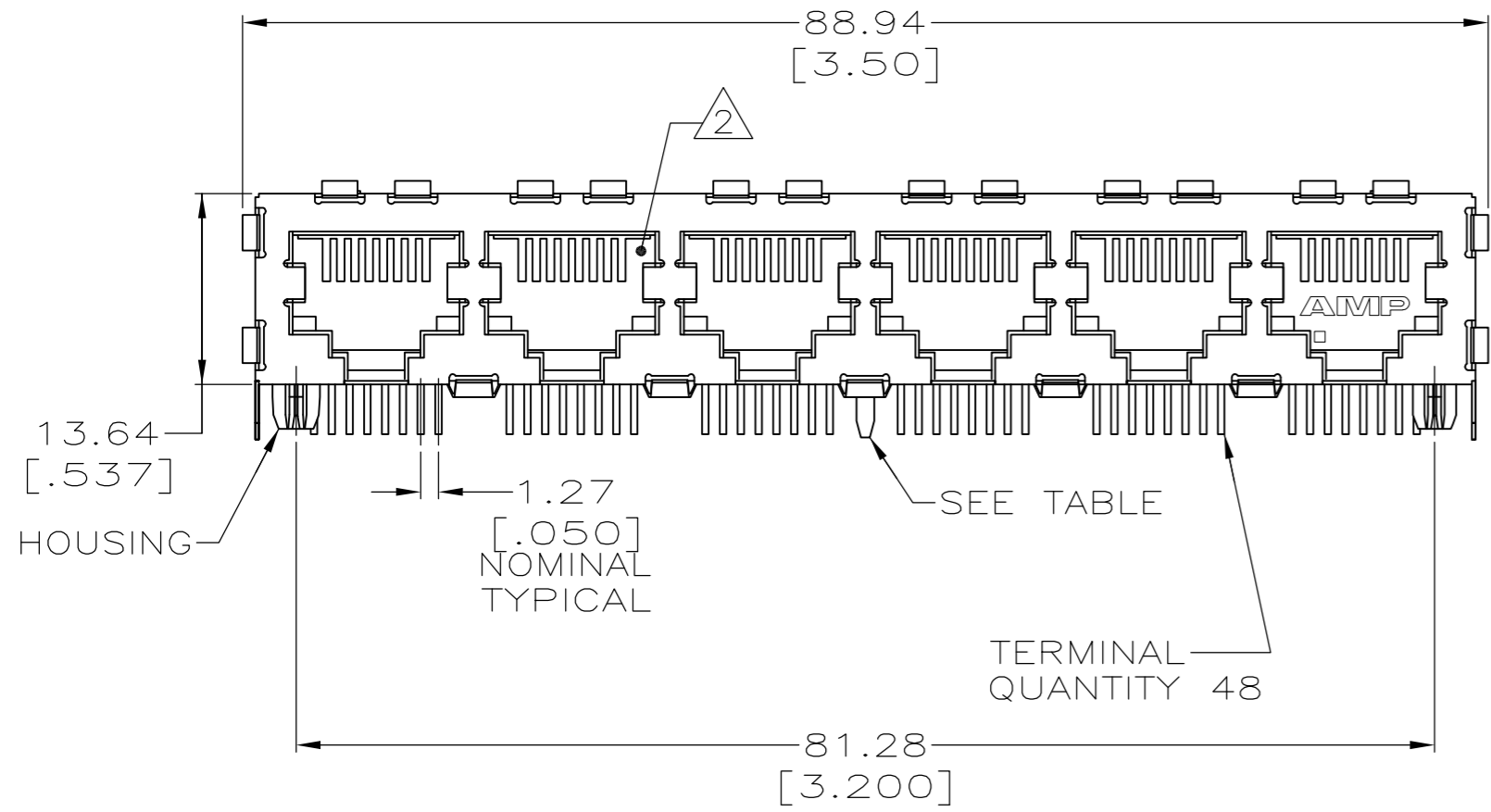
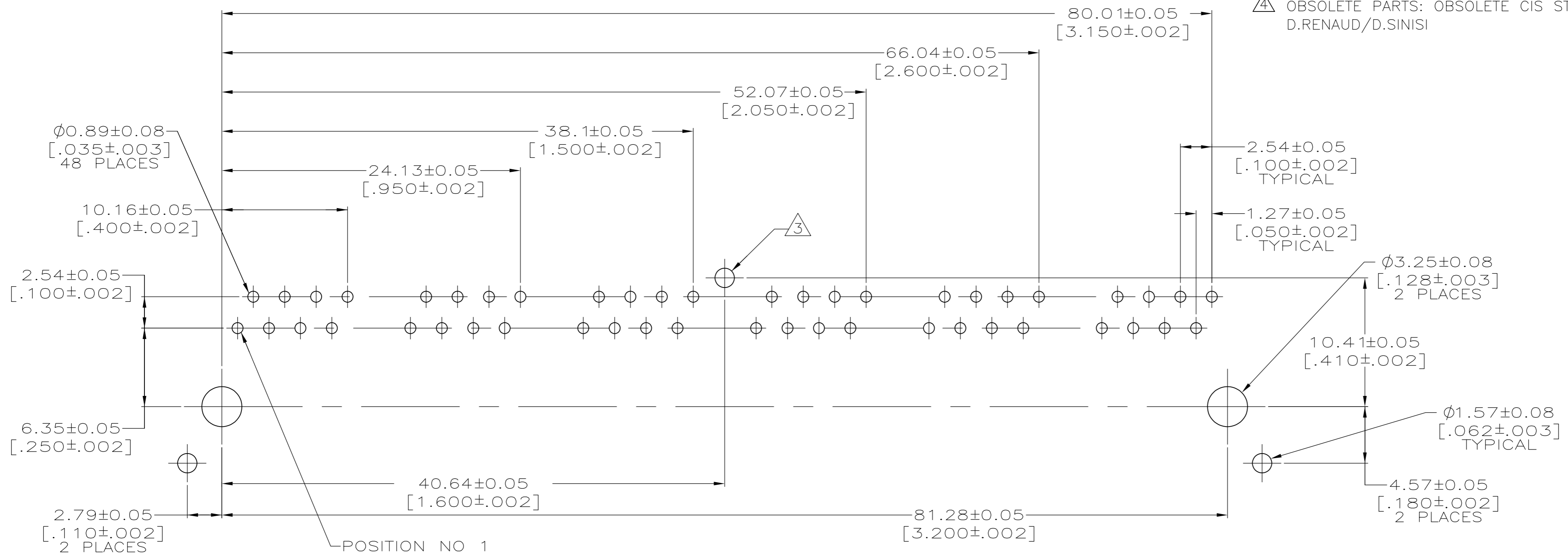


THIS DRAWING IS UNPUBLISHED. RELEASED FOR PUBLICATION  
 © COPYRIGHT BY TYCO ELECTRONICS CORPORATION. ALL RIGHTS RESERVED.

LOC	DIST	REVISIONS					
AA	22	P	LTR	DESCRIPTION	DATE	DWN	APVD
		B1		REV PER ECR-08-032447	9MAR2009	DZ	SY
		B2		REVISED PER ECO-09-024927	09NOV09	KK	AEG



- ⚠ MATERIAL:  
 HOUSING - NYLON, IR COMPATIBLE, BLACK, UL 94V-0.  
 TERMINALS - 0.33[.013] THICK PHOS BRONZE PLATED WITH 1.27 $\mu$ m[.000050] MIN THICK HARD GOLD IN LOCALIZED AREA AND 3.81 $\mu$ m[.000150] MIN THICK MATTE TIN IN SOLDER AREA OVER 1.27 $\mu$ m[.000050] THICK MINIMUM NICKEL UNDERPLATE.  
 SHIELDS - 0.25 [.010] THICK COPPER ALLOY PLATED WITH 1.27 $\mu$ m [.000050] MINIMUM NICKEL AND 2.03 $\mu$ m [.000080] MINIMUM HOT TIN DIP ON PCB GROUND TABS.
- ⚠ JACK CAVITY CONFORMS TO FCC RULES AND REGULATIONS, PART 68 SUBPART F.
- ⚠ THIS HOLE IS REQUIRED FOR -2 ONLY.
- ⚠ OBSOLETE PARTS: OBSOLETE CIS STREAMLINING PER D.RENAUD/D.SINISI



SUGGESTED PC BOARD LAYOUT  
 COMPONENT SIDE (TOP)  
 SCALE 4:1

⚠ OBSOLETE	1	5406205-2
MATERIAL	NONE	-5406205-1
NO. OF REAR TABS	1	PART NO.

THIS DRAWING IS A CONTROLLED DOCUMENT.		DWN J. ALCORTA - DOCK5 06JUN2005	Tyco Electronics Corporation Harrisburg, Pa 17105-3608	
DIMENSIONS: mm [INCHES]	TOLERANCES UNLESS OTHERWISE SPECIFIED:	CHK J. WESTMAN 06JUN2005	NAME S. FLICKINGER	
0 PLC ± -	1 PLC ± -	APVD S. FLICKINGER 06JUN2005	PRODUCT SPEC	
2 PLC ± 0.25[.01]	3 PLC ± 0.13[.005]	APPLICATION SPEC	MODULAR JACK ASSEMBLY, 6 PORT, 8 POSITION, SHIELDED, REVERSE PANEL GROUND TABS, CATEGORY 4	
4 PLC ± -	ANGLES ± -	WEIGHT	SIZE A2	CAGE CODE 00779
MATERIAL	FINISH	CUSTOMER DRAWING	DRAWING NO C=5406205	RESTRICTED TO
			SCALE 1:1	SHEET 1 OF 1
			REV B2	