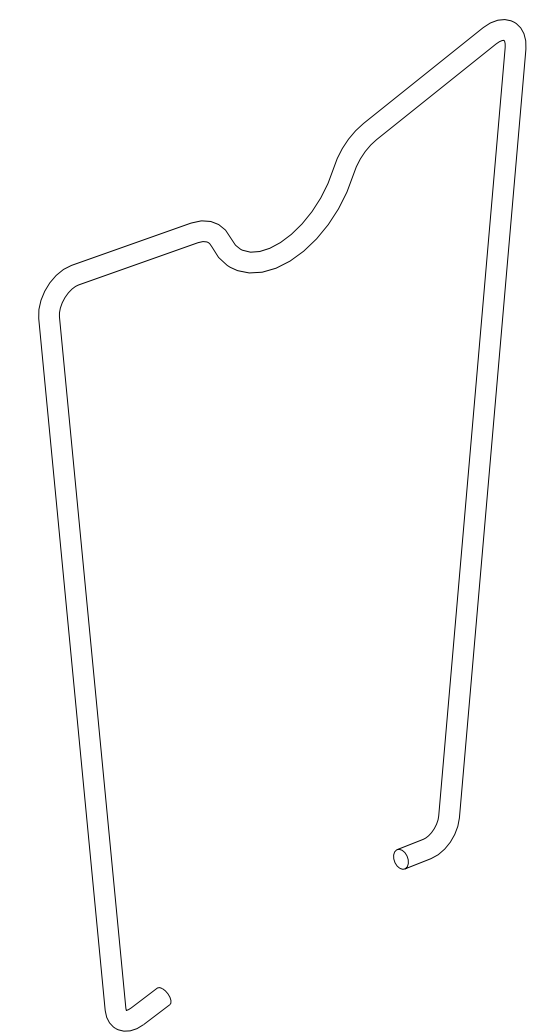
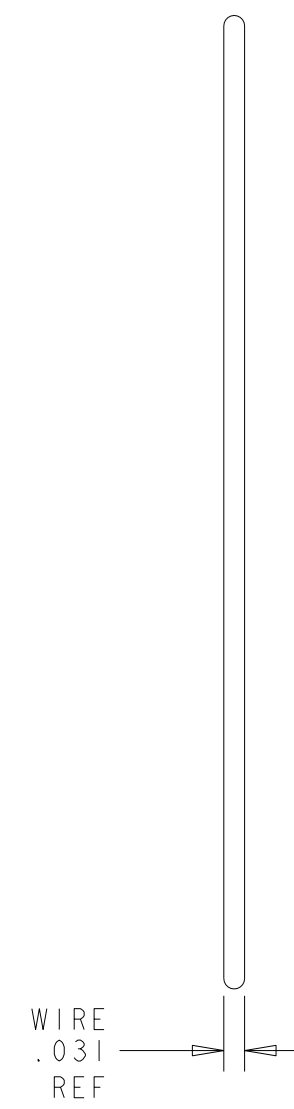
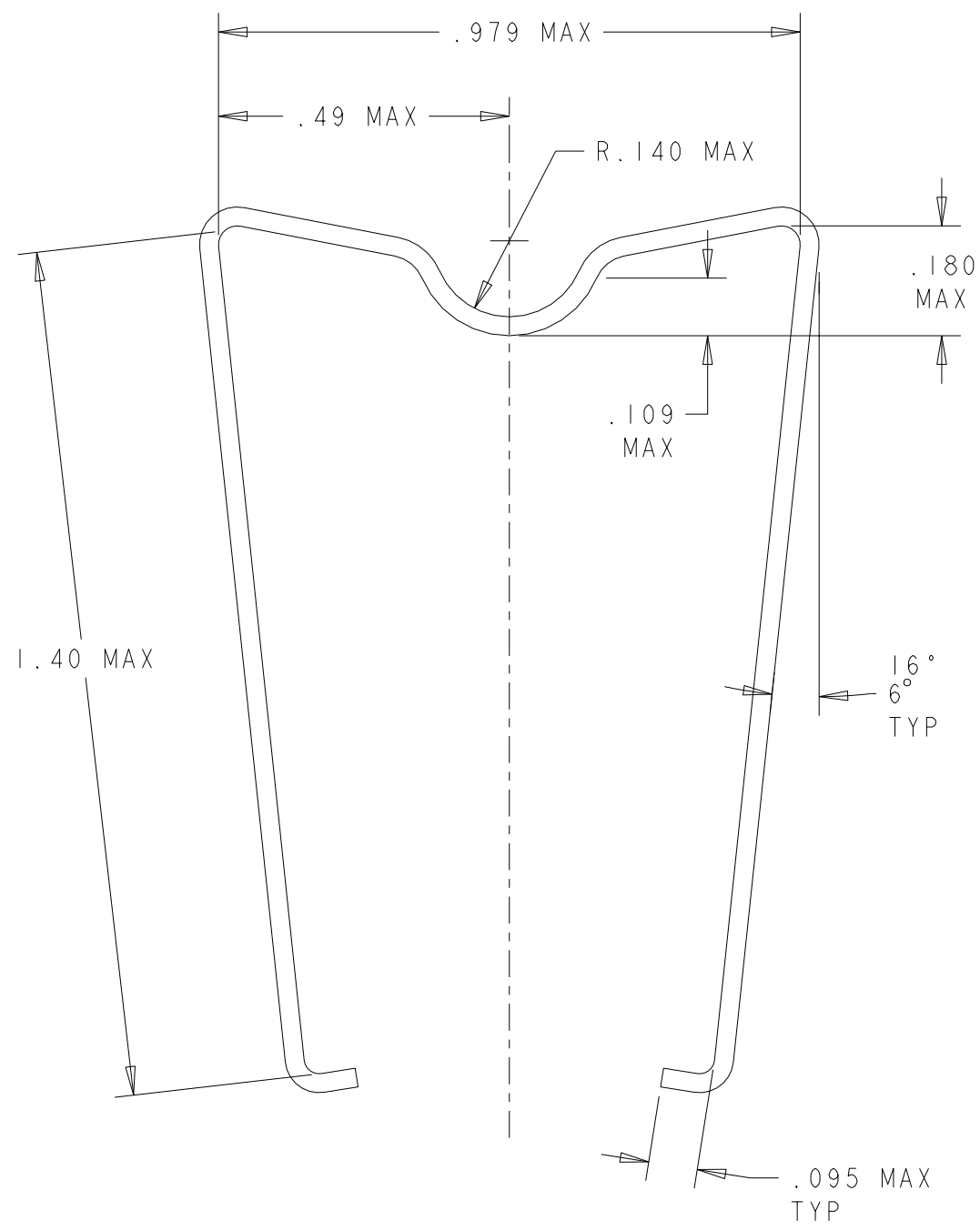


THIS DRAWING IS UNPUBLISHED. RELEASED FOR PUBLICATION 20  
 © COPYRIGHT 20 BY TYCO ELECTRONICS CORPORATION. ALL RIGHTS RESERVED.

LOC	DIST	REVISIONS			
P	LTR	DESCRIPTION	DATE	DWN	APVD
GZ	00				
		A EC: 0710-0178-04	02APR2004	KZ	WS



TYCO PART NO: 3-1393159-5

<small>THIS DRAWING IS A CONTROLLED DOCUMENT FOR TYCO ELECTRONICS CORPORATION          IT IS SUBJECT TO CHANGE AND THE CONTROLLING ENGINEERING ORGANIZATION          SHOULD BE CONTACTED FOR THE LATEST REVISION.</small>		DWN	02APR2004	Potter & Brumfield		Tyco Electronics	
DIMENSIONS: INCHES		CHK	02APR2004	Harrisburg, PA 17105-3608		NAME	
		APVD	02APR2004	-		WIRE RETAINER, (2 POLE)	
TOLERANCES UNLESS OTHERWISE SPECIFIED:		PRODUCT SPEC	-	SIZE	CAGE CODE	DRAWING NO	RESTRICTED TO
0 PLC ±-		APPLICATION SPEC	-	A3	00779	C=20C249	-
1 PLC ±0.1		WEIGHT	-	SCALE 4:1		SHEET 1 OF 1	REV A
2 PLC ±0.01		CUSTOMER DRAWING					
3 PLC ±0.003							
4 PLC ±-							
ANGLES ±1°							
MATERIAL	SS 302						
FINISH	-						