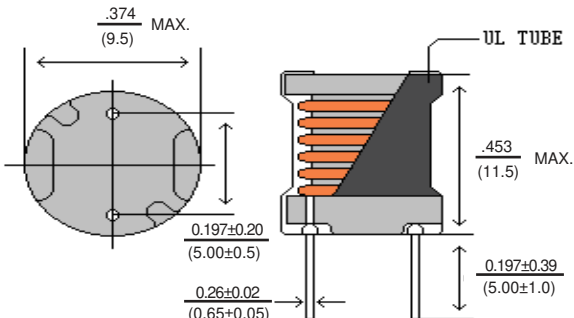


RB0810 Radial Bobbin Inductors



Dimensions: $\frac{\text{Inches}}{\text{(mm)}}$

Features

- Small Foot Print.
- Extensive Inductance Range
- UL Polyolefin Tubing

Electrical

Inductance Range: 10uh ~ 18,000uh

Tolerance: 10% over entire range.

Test Frequency: 100KHz, .01V

Operating Temperature: -55°C to +125°C.

Isat: Based on Inductance change by no more than 10% of initial value.

Irms: Current at which the temperature of the part will increase by 20° and 40°, as shown from 25° ambient.

Under no circumstances should the temperature of the part increase to more than 125°C

Test Equipment

Inductance: HP4284A.

DCR: CH-301 Current Source & DCR Meter

Current: CH-301 Current Source & DCR Meter

SRF: 9461L

Physical

Packaging: 500 pieces per Tray

Marking: EIA Inductance Code

Allied Part Number	Inductance (±h)	Tolerance (%)	DCR Max. (Ω)	SRF Min. (MHz)	Isat (A)	Irms (A)	
						20°C Rise	40°C Rise
RB0810-100K-RC	10	10	0.030	22	4.20	4.00	5.30
RB0810-120K-RC	12	10	0.035	20	3.90	3.75	5.10
RB0810-150K-RC	15	10	0.040	17	3.60	3.52	4.80
RB0810-180K-RC	18	10	0.040	15	3.30	3.30	4.50
RB0810-220K-RC	22	10	0.050	12	2.90	3.20	4.20
RB0810-270K-RC	27	10	0.055	12	2.60	2.87	3.90
RB0810-330K-RC	33	10	0.075	11	2.40	2.65	3.60
RB0810-390K-RC	39	10	0.085	10.3	2.20	2.44	3.30
RB0810-470K-RC	47	10	0.100	9.5	2.00	2.22	3.00
RB0810-560K-RC	56	10	0.120	8.6	1.80	2.00	2.70
RB0810-680K-RC	68	10	0.150	7.5	1.60	1.77	2.40
RB0810-820K-RC	82	10	0.190	6.6	1.50	1.54	2.10
RB0810-101K-RC	100	10	0.200	5.5	1.40	1.30	1.80
RB0810-121K-RC	120	10	0.240	5.3	1.20	1.22	1.70
RB0810-151K-RC	150	10	0.340	4.5	1.10	1.14	1.60
RB0810-181K-RC	180	10	0.360	4.4	1.00	1.06	1.50
RB0810-221K-RC	220	10	0.480	4.4	0.92	0.98	1.40
RB0810-271K-RC	270	10	0.550	4.0	0.84	0.90	1.30
RB0810-331K-RC	330	10	0.650	3.5	0.75	0.82	1.10
RB0810-391K-RC	390	10	0.850	3.0	0.70	0.85	1.00
RB0810-471K-RC	470	10	1.00	2.5	0.63	0.67	0.90
RB0810-561K-RC	560	10	1.10	2.3	0.58	0.59	0.80
RB0810-681K-RC	680	10	1.40	2.0	0.52	0.51	0.70
RB0810-821K-RC	820	10	1.90	2.0	0.48	0.43	0.60
RB0810-102K-RC	1000	10	2.20	2.0	0.43	0.35	0.50
RB0810-122K-RC	1200	10	2.80	1.6	0.40	0.33	0.47
RB0810-152K-RC	1500	10	3.20	1.3	0.35	0.31	0.45
RB0810-182K-RC	1800	10	3.60	1.3	0.32	0.29	0.42
RB0810-222K-RC	2200	10	4.80	1.3	0.29	0.27	0.39
RB0810-272K-RC	2700	10	5.60	1.2	0.26	0.25	0.36
RB0810-332K-RC	3300	10	7.60	1.0	0.24	0.23	0.33
RB0810-392K-RC	3900	10	8.90	0.9	0.22	0.21	0.31
RB0810-472K-RC	4700	10	9.60	0.9	0.20	0.20	0.28
RB0810-562K-RC	5600	10	12.0	0.8	0.18	0.18	0.25
RB0810-682K-RC	6800	10	14.0	0.7	0.16	0.16	0.23
RB0810-822K-RC	8200	10	17.5	0.6	0.15	0.14	0.20
RB0810-103K-RC	10000	10	21.0	0.6	0.13	0.12	0.17
RB0810-123K-RC	12000	10	28.0	0.5	0.12	0.11	0.15
RB0810-153K-RC	15000	10	32.0	0.5	0.11	0.10	0.14
RB0810-183K-RC	18000	10	36.0	0.4	0.10	0.09	0.12

All specifications subject to change without notice.