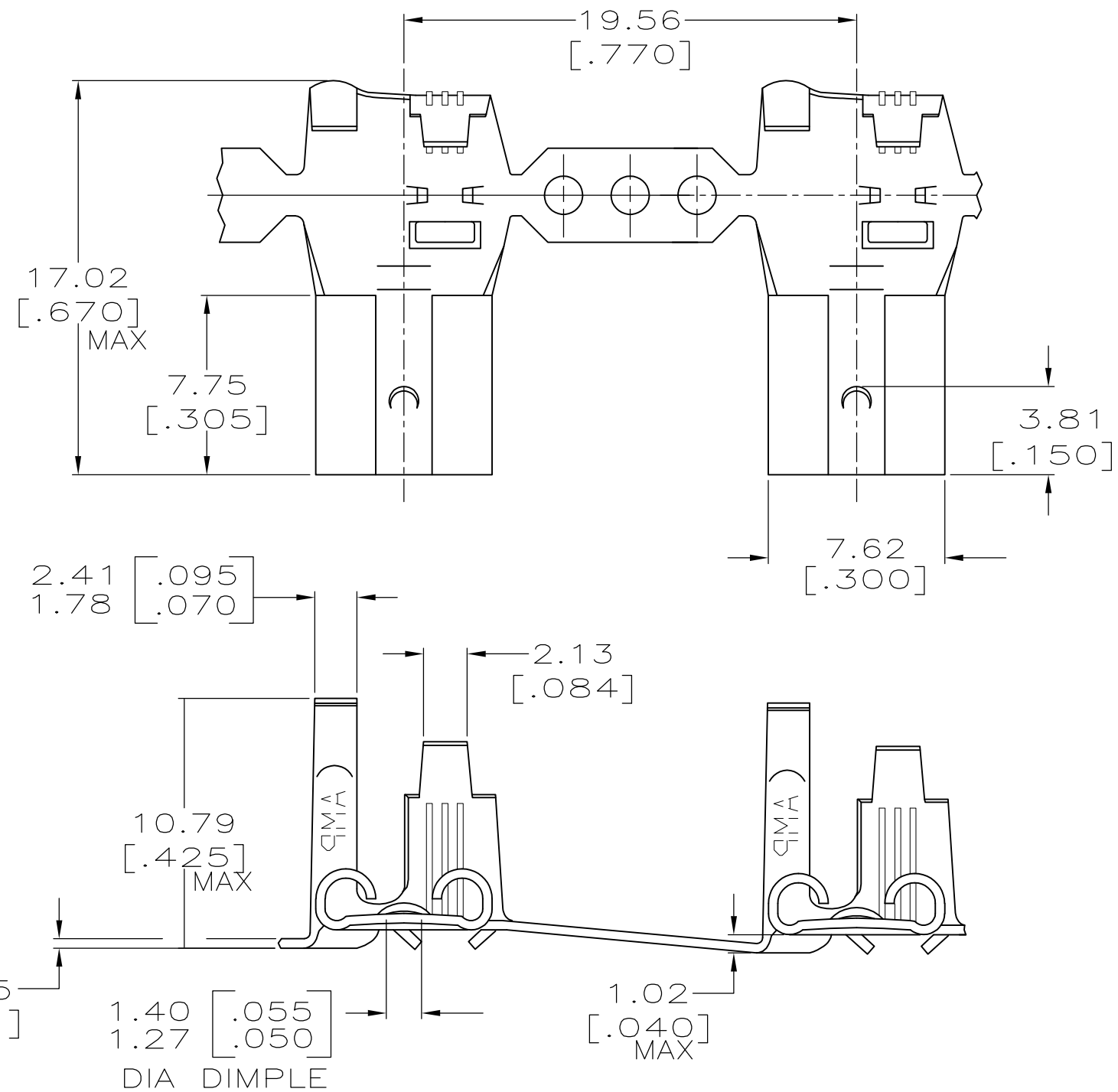


THIS DRAWING IS UNPUBLISHED. RELEASED FOR PUBLICATION
 © COPYRIGHT - By - ALL RIGHTS RESERVED.

LOC	DIST	REVISIONS			
P	LTR	DESCRIPTION	DATE	DWN	APVD
AF	50	Y	REVISED PER ECR-12-013445	09NOV12	KH PD



- 1 CONTINUOUS STRIP ON REELS
- 2 WIRE SIZE IS FOR AN [#18-#12] AWG.
- 3 INSULATION RANGE 2.79-5.33[.110-.210] DIA.
- 4 MATING TAB THICKNESS TO BE 0.81±0.025[.032±.001]

60645-1
PART NO.

THIS DRAWING IS A CONTROLLED DOCUMENT.		DWN	JR RUTH	8/11/95	TE Connectivity NAME RECEPTACLE, FASTON, FLAG, 6.35 [.250] SERIES					
DIMENSIONS:		CHK	MS FEHER	8/11/95				SIZE A3		
mm [INCHES]		APVD	P DESANTIS	8/11/95						
		PRODUCT SPEC	-					DRAWING NO C-60645		
TOLERANCES UNLESS OTHERWISE SPECIFIED:		APPLICATION SPEC	-		RESTRICTED TO					
0 PLC ± -		WEIGHT	-		-					
1 PLC ± -		CUSTOMER DRAWING								
2 PLC ± 0.38 [.015]										
3 PLC ± -		SCALE	4:1		SHEET	1 OF 1				
4 PLC ± -		REV								
ANGLES ± -		Y								
FINISH		-								
MATERIAL		BRASS								