

DESCRIPTION

The EV20045DN-00A evaluation board demonstrates the performance of MP20045, a low noise and low dropout linear regulator. It operates from a 2.5V to 5.5V input voltage and the output voltage can be set externally which ranges from 1.5V to 5V.

The EV20045DN-00A can supply up to 1A of load current, and features current limiting, over temperature protection and power-good status.

An internal PMOS pass element is used to allow a low 110uA ground current, marking the MP20045 suitable for battery-power devices.

ELECTRICAL SPECIFICATIONS

Parameter	Symbol	Value	Units
Input Voltage	V_{IN}	3.5 – 5.5	V
Output Voltage	V_{OUT}	3	V
Load Current	I_{OUT}	1	A

FEATURES

- Up to 1A Output Current
- Low 140mV Dropout at 1A
- Adjustable Output
- 56dB PSRR at 1kHz
- 13 μ V_{RMS} Low Noise Output
- Open Drain Power-Good Status Output
- Very Fast Transient Responses
- Current Limit and Thermal Protection

APPLICATIONS

- Notebook Computers
- Cordless Telephones
- Cellular Phones
- Modems
- Hand-Held Instruments
- PDA and Palmtop Computers

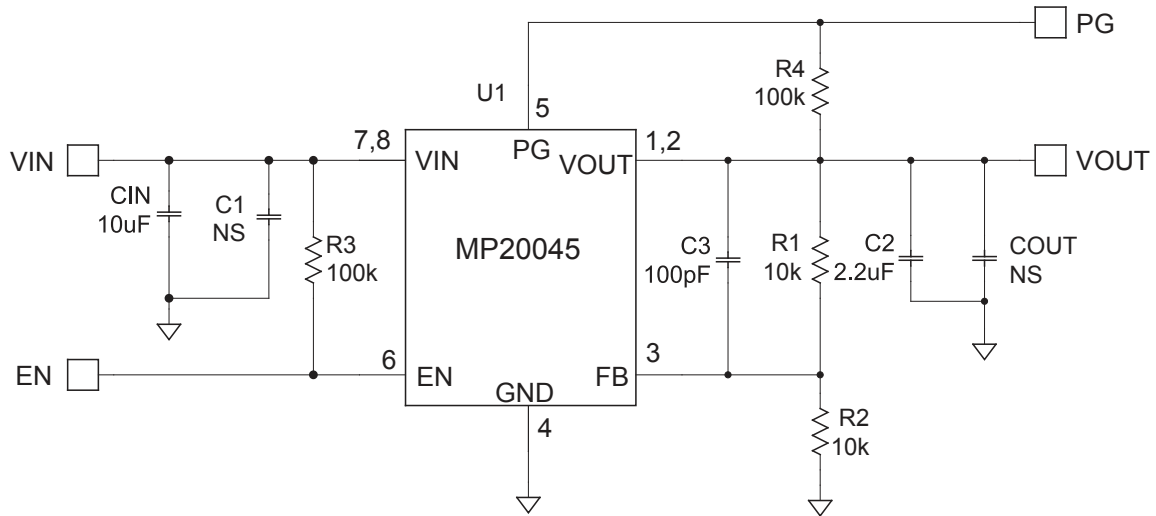
MPS[®] and "The Future of Analog IC Technology" are Registered Trademarks of Monolithic Power Systems, Inc.

EV20045DN-00A EVALUATION BOARD



(L x W x H) 2.5" x 2.5" x 0.4"
(6.35cm x 6.35cm x 1.1cm)

Board Number	MPS IC Number
EV20045DN-00A	MP20045DN

EVALUATION BOARD SCHEMATIC

EV20045DN-00A BILL OF MATERIALS

Qty	Ref	Value	Description	Package	Manufacturer	Part Number
1	CIN	10uF	Ceramic Capacitor,X7R,16V	1210	TDK	C3225X7R1C106M
1	C2	2.2uF	Ceramic Capacitor,X7R,16V	0805	TDK	C2012X7R1C225K
1	C3	100pF	Ceramic Capacitor,C0G,50V	0603	TDK	C1608C0G1H101J
0	C1,COUT	NS				
2	R1, R2	10kΩ	Film Res, 1%	0603	Any	
2	R3, R4	100kΩ	Film Res, 5%	0603	Any	
1	U1		LDO Regulator	SOIC8E	MPS	MP20045DN

PRINTED CIRCUIT BOARD LAYOUT

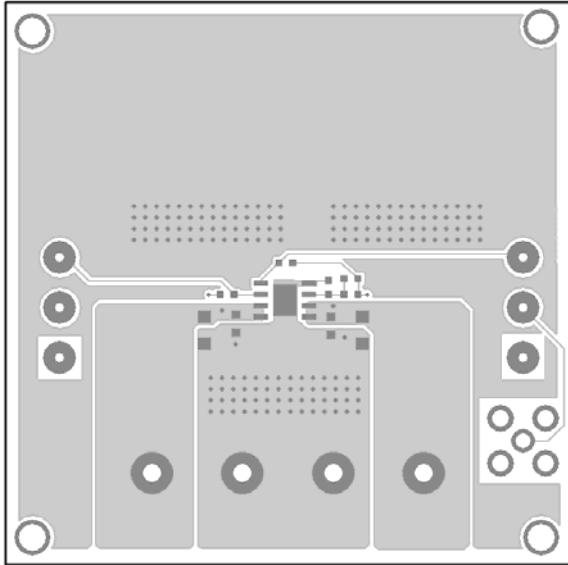


Figure 1—Top Layer

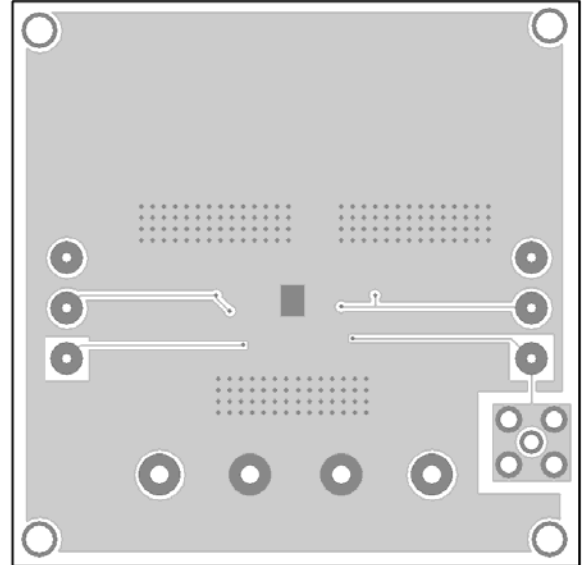


Figure 2—Bottom Layer

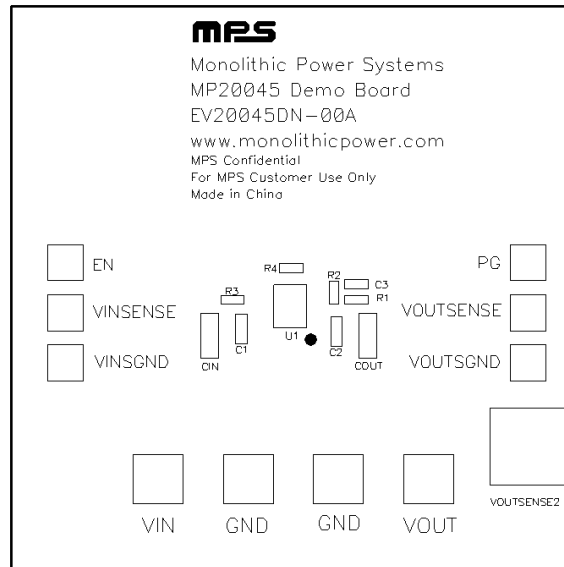


Figure 3—Top Silk Layer

QUICK START GUIDE (ADJUSTABLE OUTPUT)

The output voltage of this board is set externally which ranges from 1.5V to 5V by operating from +2.5V to +5.5V input as the figure 4. The default output voltage of this board is set to 3.0V.

The board layout accommodates most commonly used resistors and capacitors.

1. Attach the positive and negative ends of the load to the VOUT and GND pins, respectively.
2. Attach the Input Voltage ($3.5V \leq V_{IN} \leq 5.5V$) and Input Ground to the VIN and GND pins, respectively.
3. To enable the MP20045, apply a voltage, $1.5V \leq V_{EN} \leq 5.5V$, to the EN pin. To disable the MP20045, apply a voltage, $V_{EN} < 0.4V$, to the EN pin. The EN pin can be connected to V_{IN} with a 100kΩ resistor for automatic startup.
4. The Output Voltage V_{OUT} can be changed by varying R2. Calculate the new value by formula:

$$R2 = \frac{R1}{\left(\frac{V_{OUT}}{V_{FB}}\right) - 1}$$

Where $V_{FB} = 1.5V$ and $R1 = 10k\Omega$.

Example:

For $V_{OUT} = 3.0V$:

$$R2 = \frac{10k\Omega}{\left(\frac{3.0}{1.5}\right) - 1} = 10k\Omega$$

Therefore, use a 10kΩ standard 1% value.

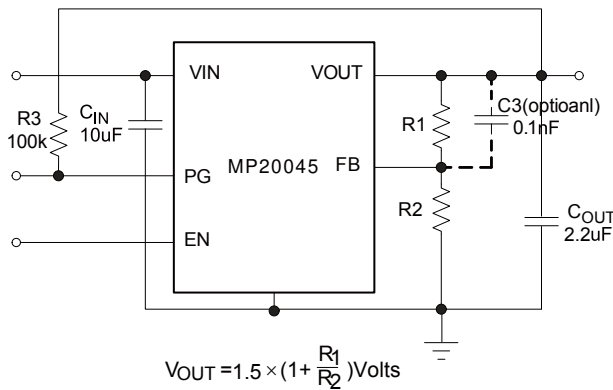


Figure 4—Adjustable Version

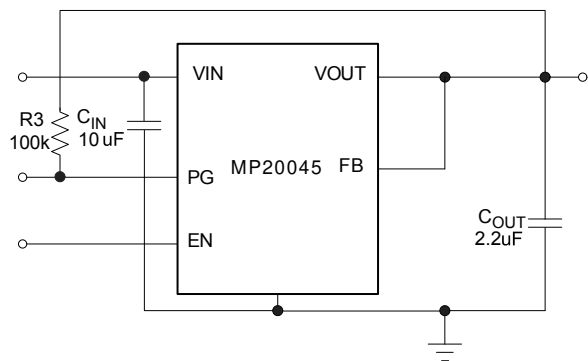


Figure 5—Fixed Version

QUICK START GUIDE (MODIFICATION FOR FIXED OUTPUT)

For modifying the EV20045DN-00A to accommodate a fixed output voltage version of the MP20045 as the figure 5:

1. Carefully remove the IC(U1) and replace it with the corresponding fixed output version of the MP20045 chip.
2. Remove both R1 and R2.
3. Short R1 while leaving R2 open.
4. Attach the positive and negative ends of the load to the VOUT and GND pins, respectively.
5. Attach the Input Voltage ($3.5V \leq V_{IN} \leq 5.5V$) and Input Ground to the VIN and GND pins, respectively.
6. To enable the MP20045, apply a voltage, $1.5V \leq V_{EN} \leq 5.5V$, to the EN pin. To disable the MP20045, apply a voltage, $V_{EN} < 0.4V$, to the EN pin. The EN pin can be connected to V_{IN} with a 100k Ω resistor for automatic startup.

Please refer to the datasheet for the detailed information of the different output voltage option of MP20045.

NOTICE: The information in this document is subject to change without notice. Please contact MPS for current specifications. Users should warrant and guarantee that third party Intellectual Property rights are not infringed upon when integrating MPS products into any application. MPS will not assume any legal responsibility for any said applications.