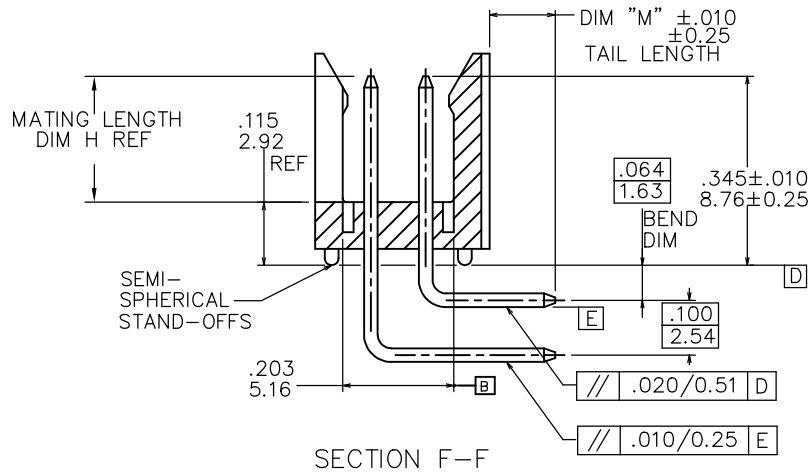
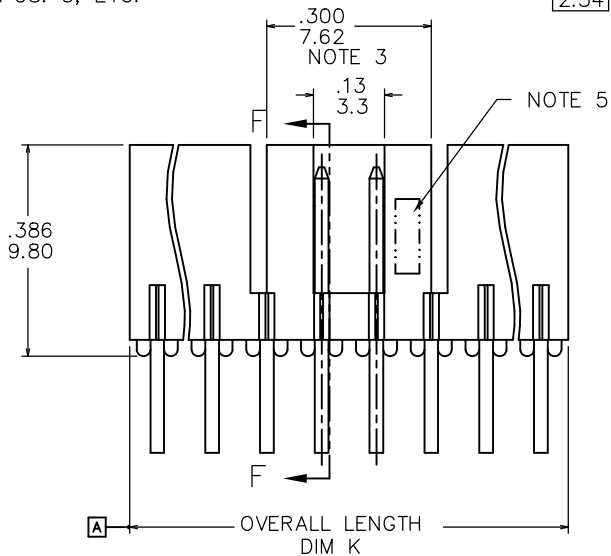
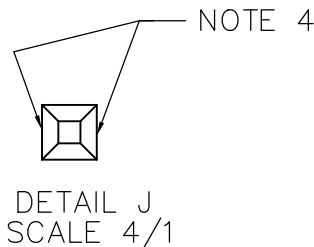
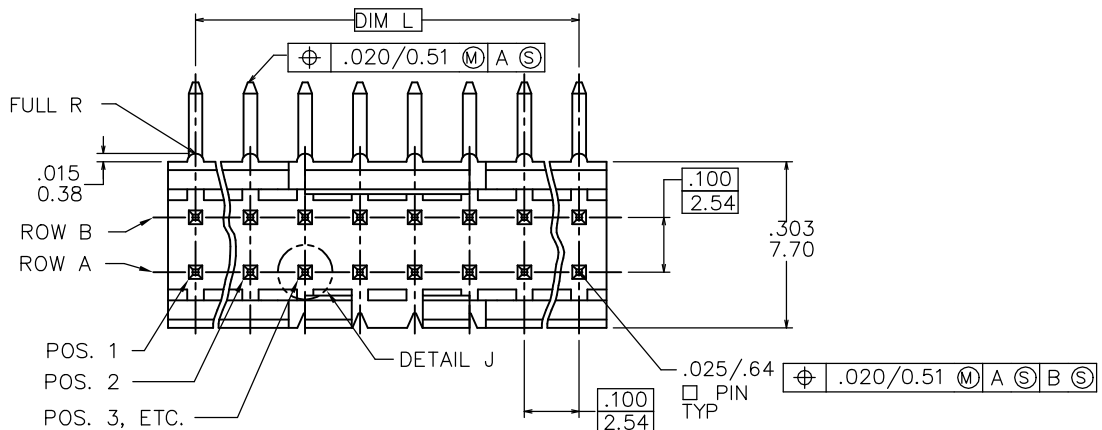


PRODUCT NO.
78207-XYTZHLF

- LEAD FREE OPTION - NOTE 8, 9, 10
- CUSTOMER SPECIALS - NOTE 7
- TUBE PACKAGING OPTION - NOTE 6
- NO. OF POSITIONS
SEE TABLE
- PIN PLATING
- BASE P/N



Amphenol FCI
© 2016 AFCI

Mat'l. code NOTES 1 & 2		surface ISO 1302 ✓		tolerance ISO 206 ISO 1101		projection ⊕		product family		
ltr	ec'n no	dr	date	tolerances unless otherwise specified				title		
U	ELX-N-11910	JZ	05/31/12	angles	linear	XXX.X/XXX.X	inch/mm		FRICION LATCH HEADER DOUBLE ROW R/A	
V	ELX-N-37212	M.Z	05/29/20	0°±2°		XXXX.0000 XXXX.0001	scale 1:1			
		dr	S. ROYER	11/14/94			Amphenol FCI		dwg no	
		engr	L.FYE	11/14/94					sheet 1 of 2	
		chr	L.FYE	11/14/94					78207	
		appd	L.FYE	11/14/94					A3	
		type Product Customer Drawing								
sheet	revision	V	V							
index	sheet	1	2							

PRODUCT NUMBER	NO OF POS	MATING LENGTH DIM H	OVERALL LENGTH DIM K	DIM L	TAIL LENGTH, DIM "M"
78207-X06	2 X 3	.230/5.84	.300/7.62	.200/5.08	.120/3.05
↑ -X08	2 X 4	.230/5.84	.400/10.16	.300/7.62	↑
-X10	2 X 5	.230/5.84	.500/12.70	.400/10.16	
-X12	2 X 6	.230/5.84	.600/15.24	.500/12.70	
-X14	2 X 7	.230/5.84	.700/17.78	.600/15.24	
-X16	2 X 8	.230/5.84	.800/20.32	.700/17.78	
-X18	2 X 9	.230/5.84	.900/22.86	.800/20.32	
-X18A	2 X 9	.210/5.33	.900/22.86	.800/20.32	
-X20	2 X 10	.230/5.84	1.000/25.40	.900/22.86	
-X22	2 X 11	.230/5.84	1.100/27.94	1.000/25.40	
-X24	2 X 12	.230/5.84	1.200/30.48	1.100/27.94	
-X26	2 X 13	.230/5.84	1.300/33.02	1.200/30.48	
↓ -X28	2 X 14	.230/5.84	1.400/35.56	1.300/33.02	↓
78207-X30	2 X 15	.230/5.84	1.500/38.10	1.400/35.56	.120/3.05
78207-X32					
THRU		U N A V A I L A B L E			
78207-X72					
78207-X80	2 X 4	.230/5.84	.400/10.16	.300/7.62	.100/2.54

NOTE 7

- NOTES:
- MOLDING MAT'L: GLASS REINFORCED HTN OR MINERAL FILLED LCP, COLOR: BLACK FLAME RETARDANT PER UL 94 V-0 MAXIMUM OPERATING TEMPERATURE: 130° C.
 - PIN MATERIAL: 3/4 HD PHOS. BRZ.
 - NO SLOTS ON 2 X 5 POSITION OR SMALLER PRODUCT. THE CENTER KEY SLOT WILL BE ON ALL HEADERS REGARDLESS OF SIZE.
 - TWO NON-CRITICAL SIDES OF PIN TIP NOT PLATED, BOTH ENDS.
 - COMPANY LOGO MAY APPEAR IN THIS AREA.
 - "T" ATTACHED TO THE P/N INDICATES PARTS ARE TO BE PACKAGED IN TUBES.
 - CUSTOMER SPECIAL -- "A" SUFFIX INDICATES 0.210/5.33 MATING LENGTH.
 - ADD "HLF" SUFFIX AT THE END OF PART NUMBER FOR LEAD FREE OPTION, NOT AVAILABLE FOR -5YY, -5YYH, -6YY & -6YYH.
 - PART NUMBERS WITH "H" SUFFIX WILL WITHSTAND EXPOSURE TO 260°C PEAK TEMPERATURE FOR 20 SECONDS IN WAVE SOLDER, INFRA-RED OR VAPOR PHASE SOLDER PROCESS.
- PART NUMBERS WITHOUT "H" SUFFIX WILL WITHSTAND EXPOSURE TO 260°C PEAK TEMPERATURE FOR WAVE SOLDER PROCESS.
- THIS PRODUCT MEETS EUROPEAN UNION DIRECTIVES AND OTHER COUNTRY REGULATION AS DESCRIBED IN GS-22-008.
 - PLATING OPTIONS:
PERFORMANCE PLATING WILL BE EITHER GOLD OR GXT ON CONTACT OR TAIL, OPTIONALLY (78~295u"/2~7.5u) TIN ON TAIL.
 - "THIS PRODUCT HAS 100% TIN PLATING IN THE INTERFACE AND HAS NOT BEEN TESTED FOR WHISKER GROWTH IN ALL INTERCONNECT ENVIRONMENTS."

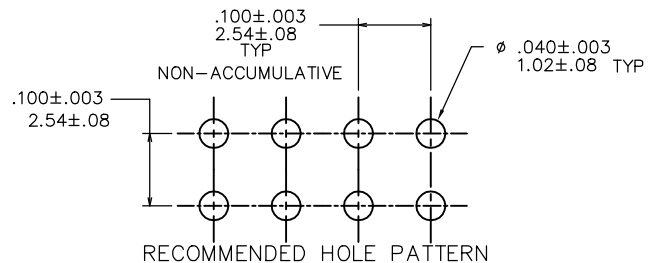
Amphenol FCI

© 2016 AFCI

D

PIN PLATING CODES

-1YY	30u"/.76u (SEE NOTE 11) 50u"/1.27u Ni
-2YY	15u"/.38u (SEE NOTE 11) 50u"/1.27u Ni
-3YY	50u"/1.27u (SEE NOTE 11) 50u"/1.27u Ni
-4YY	100u"/2.54u MIN Sn 50u"/1.27u Ni (SEE NOTE 12)
-4YYHLF	
-5YY	15u"/.38u (SEE NOTE 11) 50u"/1.27u Ni
-6YY	30u"/.76u (SEE NOTE 11) 50u"/1.27u Ni
-7YY	30u"/.76u (SEE NOTE 11) OVER 50u"/1.27u Ni
-8YY	15u"/.38u (SEE NOTE 11) OVER 50u"/1.27u Ni



Mat'l. code	surface	tolerance	projection	product family
NOTES 1 & 2	ISO 1302 ✓	ISO 1101		
ltr	ecn no	dr	date	tolerances unless otherwise specified
v				angles linear
				0°±2°
		dr	S. ROYER	11/14/94
		enr	L.FYE	11/14/94
		chr	L.FYE	11/14/94
		appd	L.FYE	11/14/94
sheet	revision			
index	sheet			

title		FRICION LATCH HEADER DOUBLE ROW R/A	
dwg no		78207	
sheet 2 of 2		size A3	
type Product Customer Drawing			