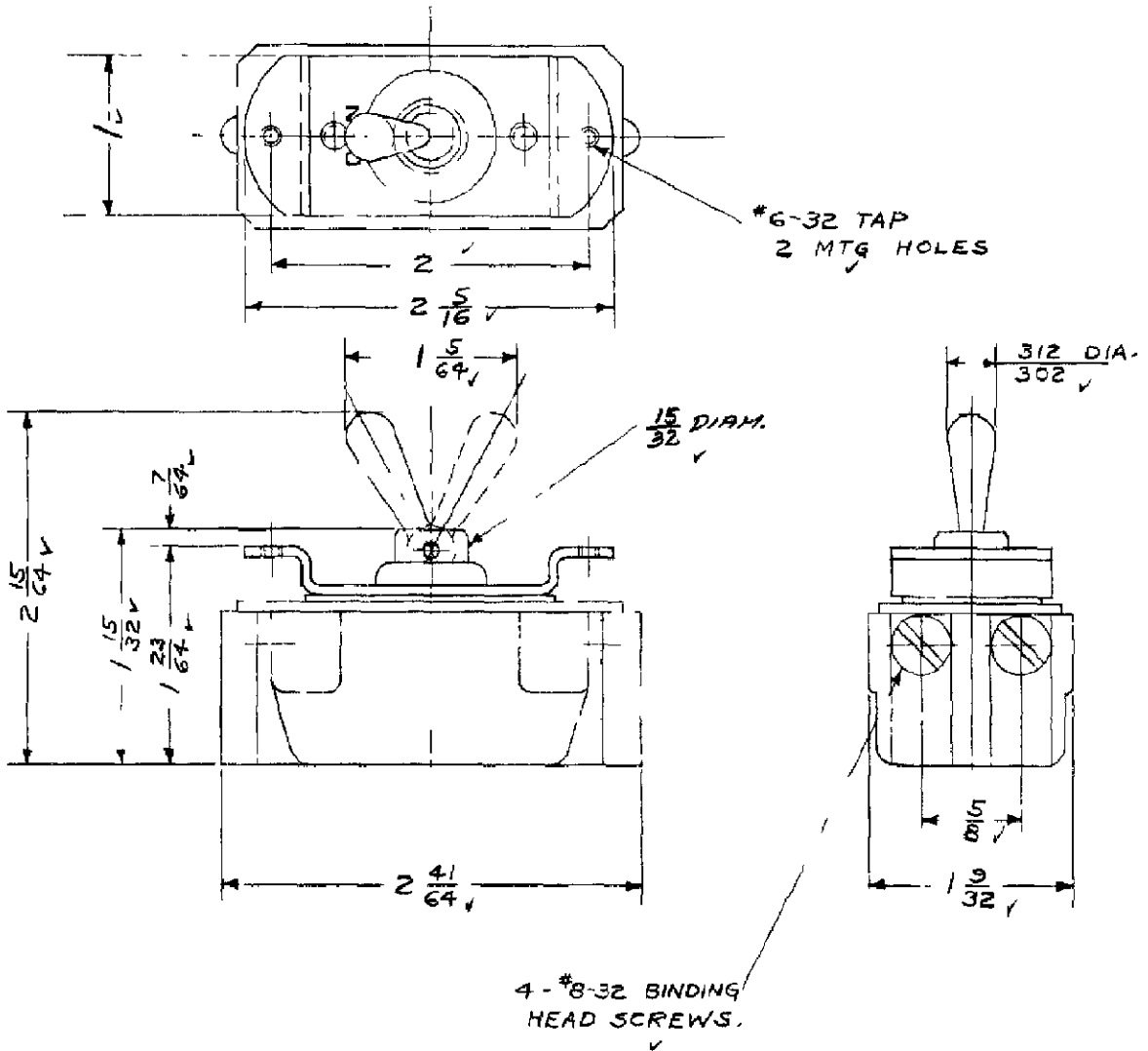



A 90-348

RAW MAT SPEC WITH
PART NO. AND AMOUNT REQ'D.



BULLETIN

DIMENSIONS FOR 20 AMP, 250V. 3 HOLE MTG. TOOL HANDLE SWITCH

A	2 7/16 DIA. WAS 1 5/32 DIA.	J.H.M. 3076 10-2-45 UNK	DR E. P. Leonard	7/20/40	FIRST ASSEM. WHERE LISTED D 90-342
B	15/32 WAS 2 7/16 DIA.	DEV. 3140-102158 10-2-45 UNK	CHK. J. Raeh	10/4/40	SUP. S.
C	DEV. 3140-102237	10-2-45 UNK	APP. Geo. J. J. J.	10/5/40	NON-INTERCHANGEABLE SUP D BY
D	DO NOT SCALE DRAWING. WORK ACCORDING TO DIMENSIONS.				NON-INTERCHANGEABLE SURFACE COATING
E	STANDARD TOLERANCES 80-875 APPLY TO DIMENSIONS FOR WHICH TOLERANCES ARE NOT SPECIFIED.				SCALE 1" = 1"
F	CUTLER-HAMMER, INC. MILWAUKEE  NEW YORK		ORDER NO. DEV.	4041-10	A 90-348

FORM 4 IMPROVED NO. N 16315 CLOTH NOV 7 1940 SCHILLER