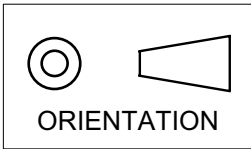
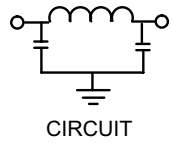
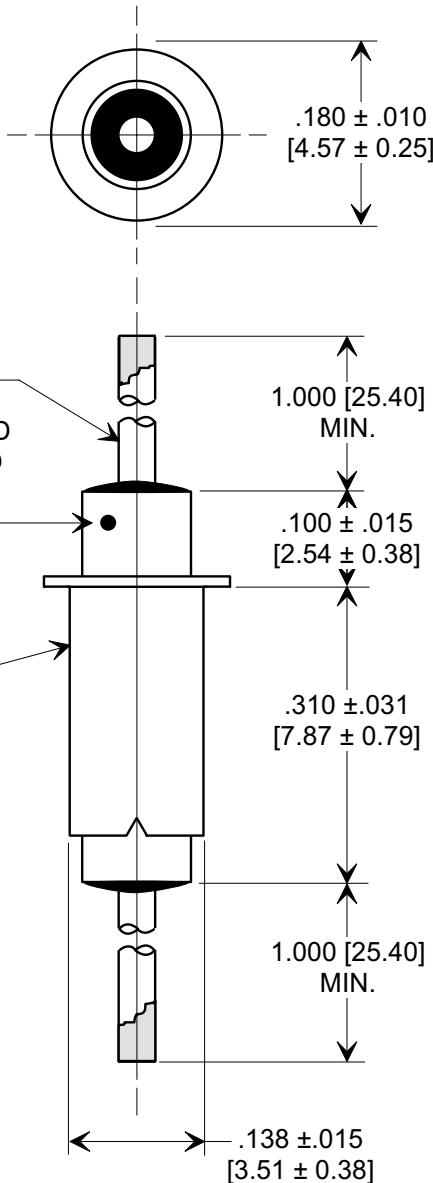


MARKETING SALES DRAWING
DIMENSIONS IN INCHES - DO NOT SCALE THIS DRAWING
DIMENSIONS IN METRIC - []

This drawing is the property of Tusonix, Inc., and may not be used, reproduced, published or disclosed to others without expressed authorization by Tusonix Inc.



Electrical Testing
per Tusonix standard
test plans and Mil-Std-202
Test Methods.



NOTES:

1. TUSONIX STANDARD PART NUMBER: 4102-000. TUSONIX RoHS COMPLIANT PART NUMBER: 4102-000 LF. CUSTOMER MUST SPECIFY STANDARD OR RoHS PART NUMBER WHEN ORDERING.
2. EYELET FINISH: STANDARD PART #: 60/40 SOLDER PLATED. RoHS PART #: SILVER PLATED.
3. PART MARKING: STANDARD PART: NO MARKING. RoHS PART: GREEN DOT.

MIN. CAP. (pF)	WORKING VOLTAGE (WVdc)		CURRENT Idc. (A)	DWV	I.R. MIN. @ 100 (VDC.)	MINIMUM NO LOAD INSERTION LOSS (dB) AT 25°C PER MIL-STD-220			
	85°C	125°C				10 MHz	100 MHz	1 GHz	10 GHz
3000	350	200	10	700 VDC	10 G Ω	8	55	65	65

X-2015 Rev-0	REVISION RECORD	
	Original Release	0
	C.O. 20050614-4-01	
	ADDED NOTES & RoHS DOT. S.M. 09-28-06	
	1	
	20060927-2-03	

--TOLERANCES-- Unless Otherwise Specified		Title EYELET STYLE EMI FILTER	
DECIMAL ± // // //		Drawn S.M. 06-14-05	
ANGLES ± // // //		Scale 5 X	
TUSONIX TUCSON, ARIZONA		Approved T.C. 06-14-05	
A		4102-000	