

Small Signal Product

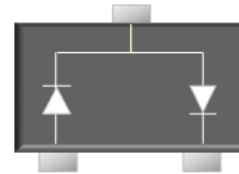
225mW SMD Switching Diode
FEATURES

- Fast switching speed
- Surface mount device type
- Moisture sensitivity level 1
- Matte Tin (Sn) lead finish with Nickel (Ni) underplate
- Pb free and RoHS compliant
- Packing code with suffix "G" means green compound (halogen-free)


SOT-23

MECHANICAL DATA

- Case: SOT-23 small outline plastic package
- Terminal: Matte tin plated, lead free, solderable per MIL-STD-202, Method 208 guaranteed
- High temperature soldering guaranteed: 260°C/10s
- Weight: 8 mg (approximately)
- Marking code: A7.



MAXIMUM RATINGS AND ELECTRICAL CHARACTERISTICS (T _A =25°C unless otherwise noted)			
PARAMETER	SYMBOL	VALUE	UNIT
Power dissipation	P _D	225	mW
Peak repetitive reverse voltage	V _{RRM}	70	V
Repetitive peak forward current	I _{FRM}	450	mA
Mean forward current	I _O	200	mA
Non-repetitive peak forward surge current	I _{FSM}	0.5	A
Pulse Width=1 s			
Thermal resistance form junction to ambient	R _{θJA}	556	°C/W
Junction and storage temperature range	T _J , T _{STG}	- 55 to + 150	°C

PARAMETER	SYMBOL	MIN	MAX	UNIT
Reverse breakdown voltage	V _(BR)	70	-	V
Forward voltage	V _F	I _F = 50 mA	1.00	V
		I _F = 150 mA	1.25	
Reverse leakage current	I _R	-	2.50	μA
Junction capacitance	C _J	-	1.5	pF
Reverse recovery time	t _{rr}	-	6	ns
I _F = I _R = 10 mA, R _L = 100 Ω, I _{RR} = 1 mA				

Small Signal Product

RATINGS AND CHARACTERISTICS CURVES

($T_A=25^\circ\text{C}$ unless otherwise noted)

Fig. 1 Typical Forward Characteristics

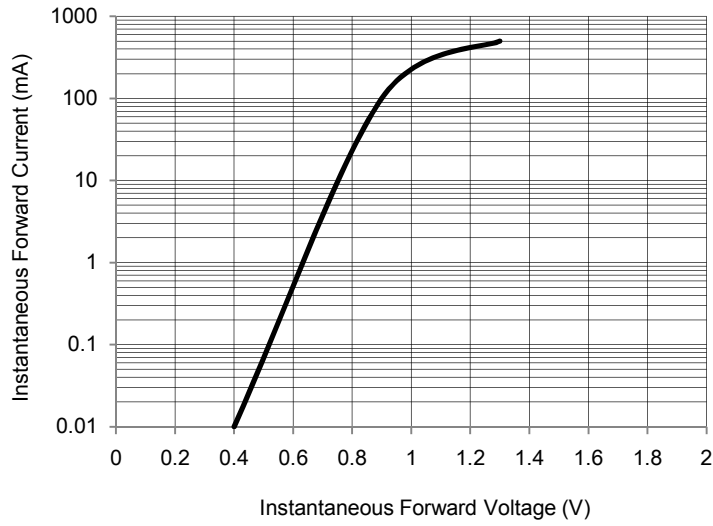


Fig. 2 Leakage Current vs. Junction Temperature

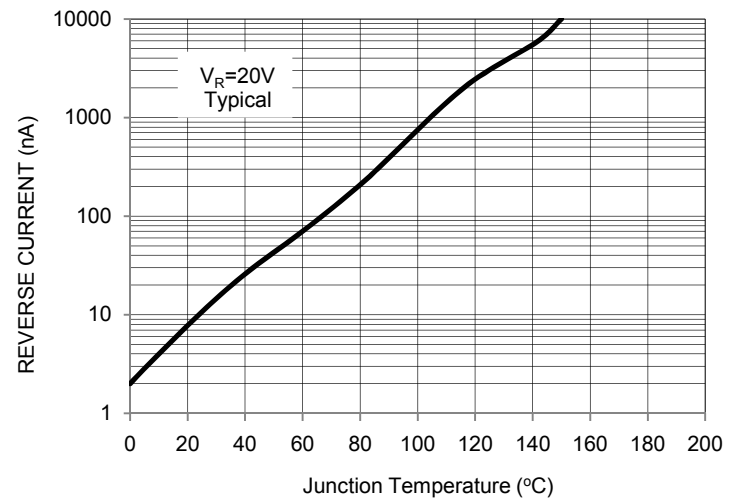
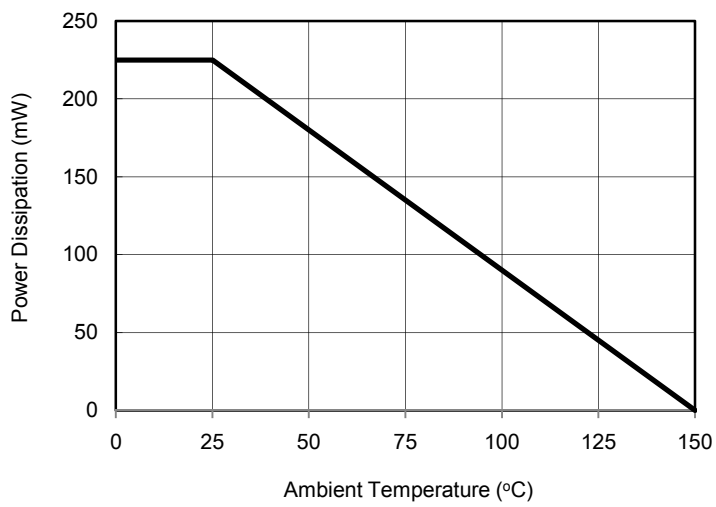


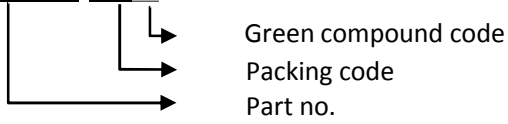
Fig. 3 Power Dissipation Derating Curve



Small Signal Product

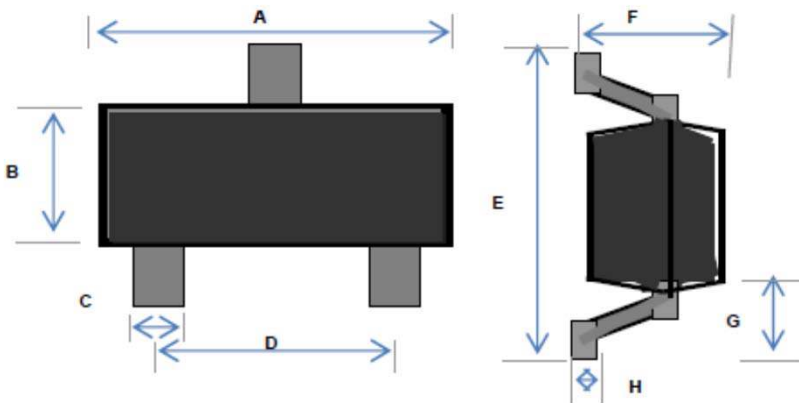
ORDER INFORMATION (EXAMPLE)

BAV99L RFG



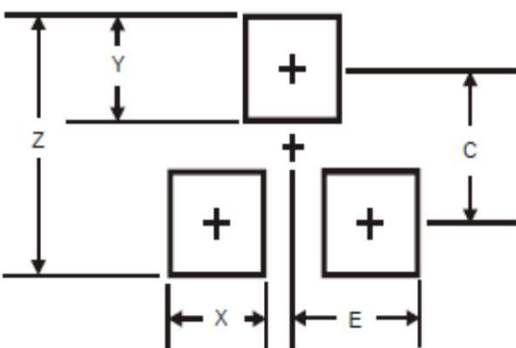
PACKAGE OUTLINE DIMENSIONS

SOT-23



DIM.	Unit (mm)		Unit (inch)	
	Min	Max	Min	Max
A	2.70	3.10	0.106	0.122
B	1.10	1.50	0.043	0.059
C	0.30	0.51	0.012	0.020
D	1.78	2.04	0.070	0.080
E	2.10	2.64	0.083	0.104
F	0.89	1.30	0.035	0.051
G	0.55 REF		0.022 REF	
H	0.10 REF		0.004 REF	

SUGGEST PAD LAYOUT



DIM.	Unit (mm)		Unit (inch)	
	TYP		TYP	
Z	2.90		0.114	
X	0.80		0.031	
Y	0.90		0.035	
C	2.00		0.079	
E	1.35		0.053	

Notice

Specifications of the products displayed herein are subject to change without notice. TSC or anyone on its behalf, assumes no responsibility or liability for any errors or inaccuracies.

Information contained herein is intended to provide a product description only. No license, express or implied, to any intellectual property rights is granted by this document. Except as provided in TSC's terms and conditions of sale for such products, TSC assumes no liability whatsoever, and disclaims any express or implied warranty, relating to sale and/or use of TSC products including liability or warranties relating to fitness for a particular purpose, merchantability, or infringement of any patent, copyright, or other intellectual property right.

The products shown herein are not designed for use in medical, life-saving, or life-sustaining applications. Customers using or selling these products for use in such applications do so at their own risk and agree to fully indemnify TSC for any damages resulting from such improper use or sale.