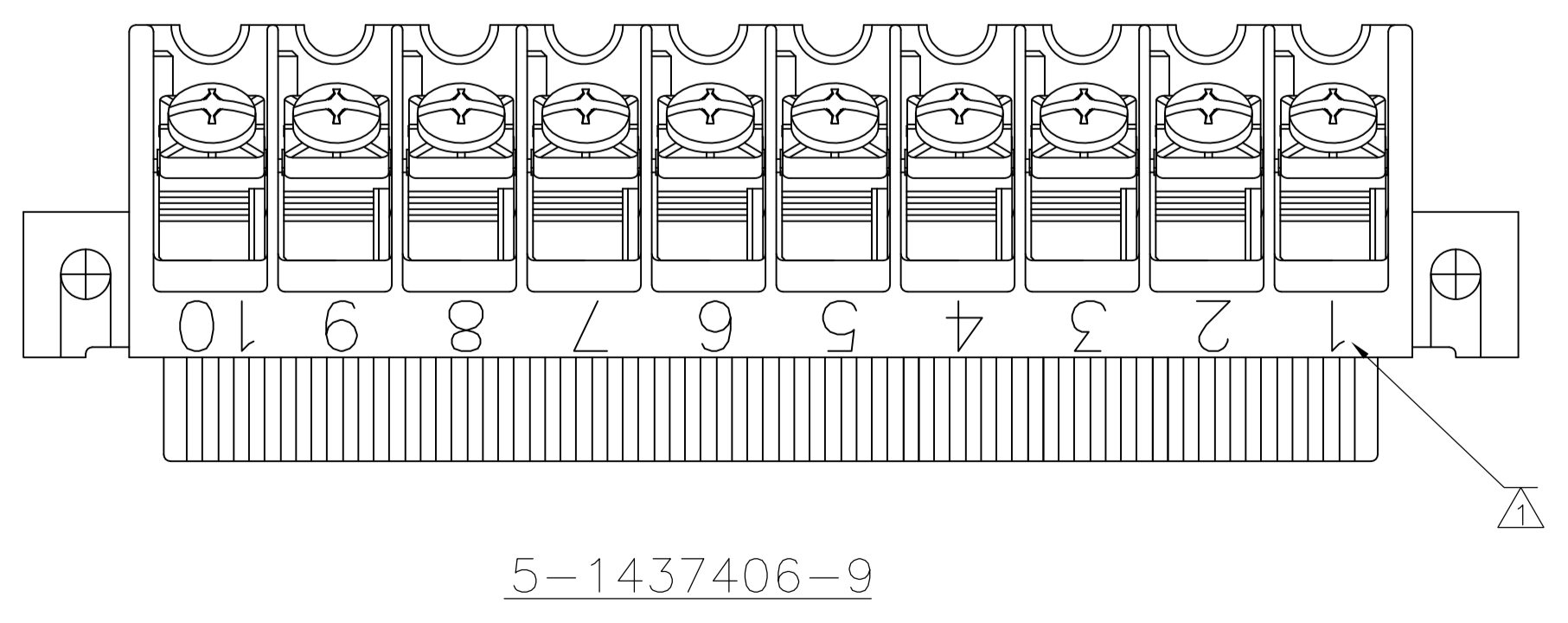
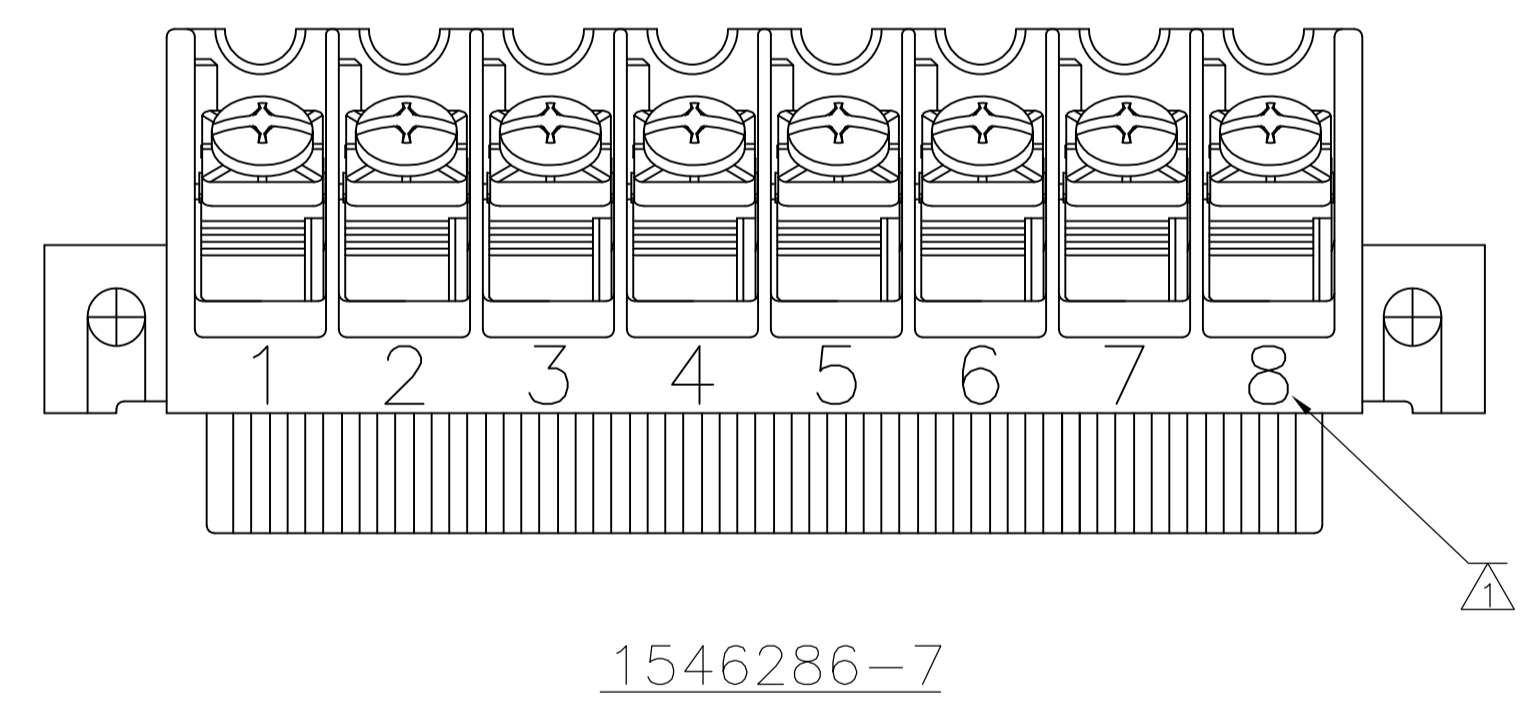
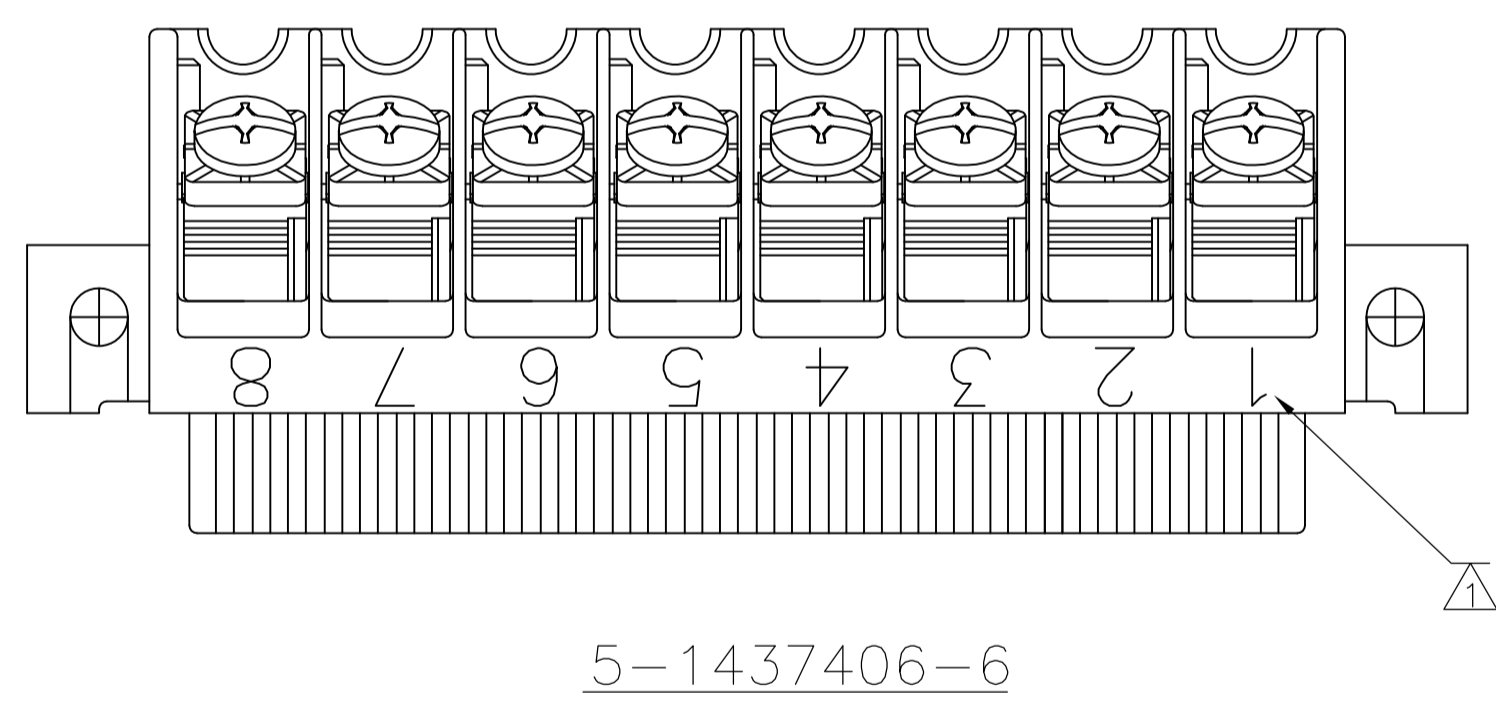
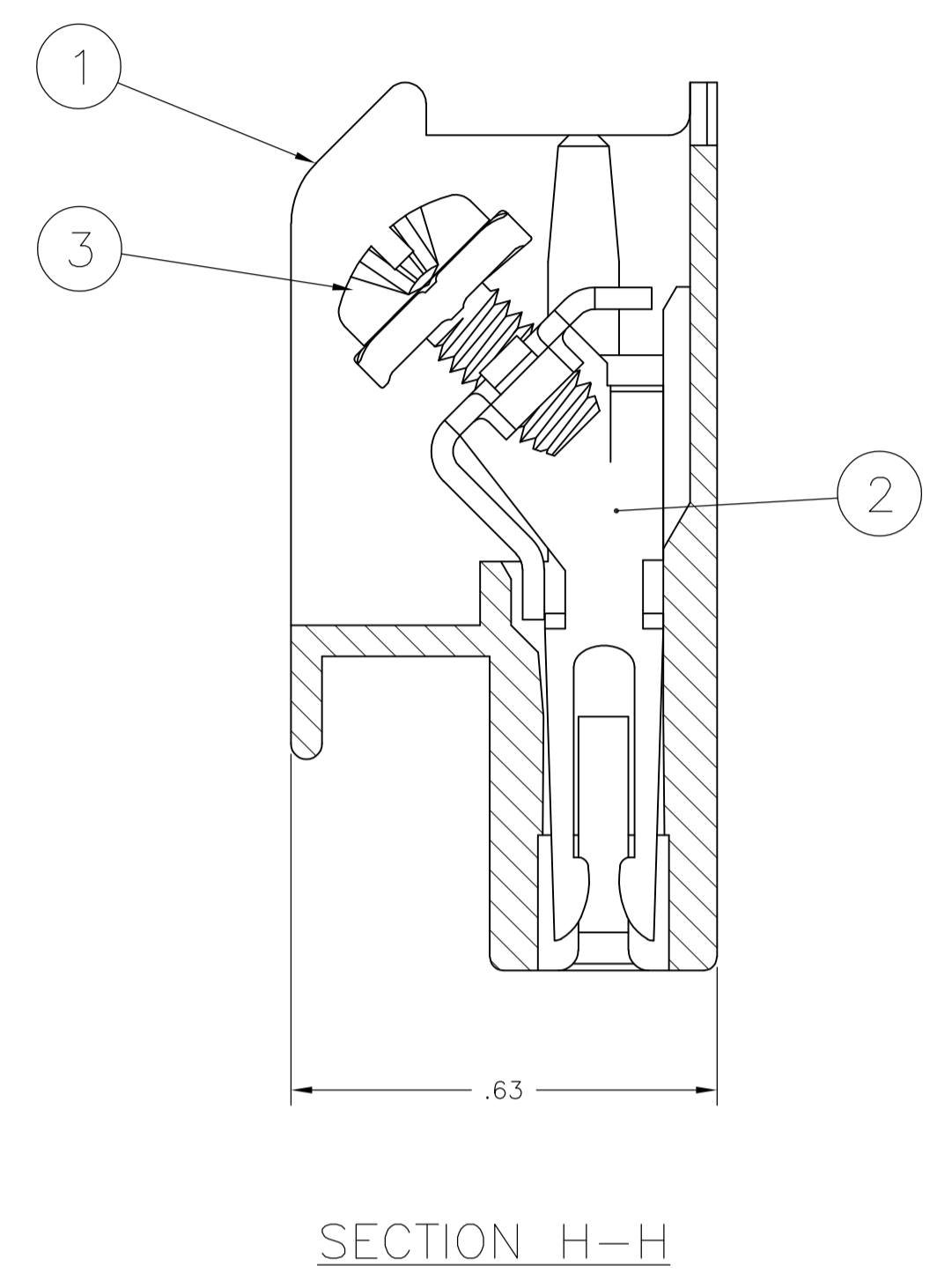
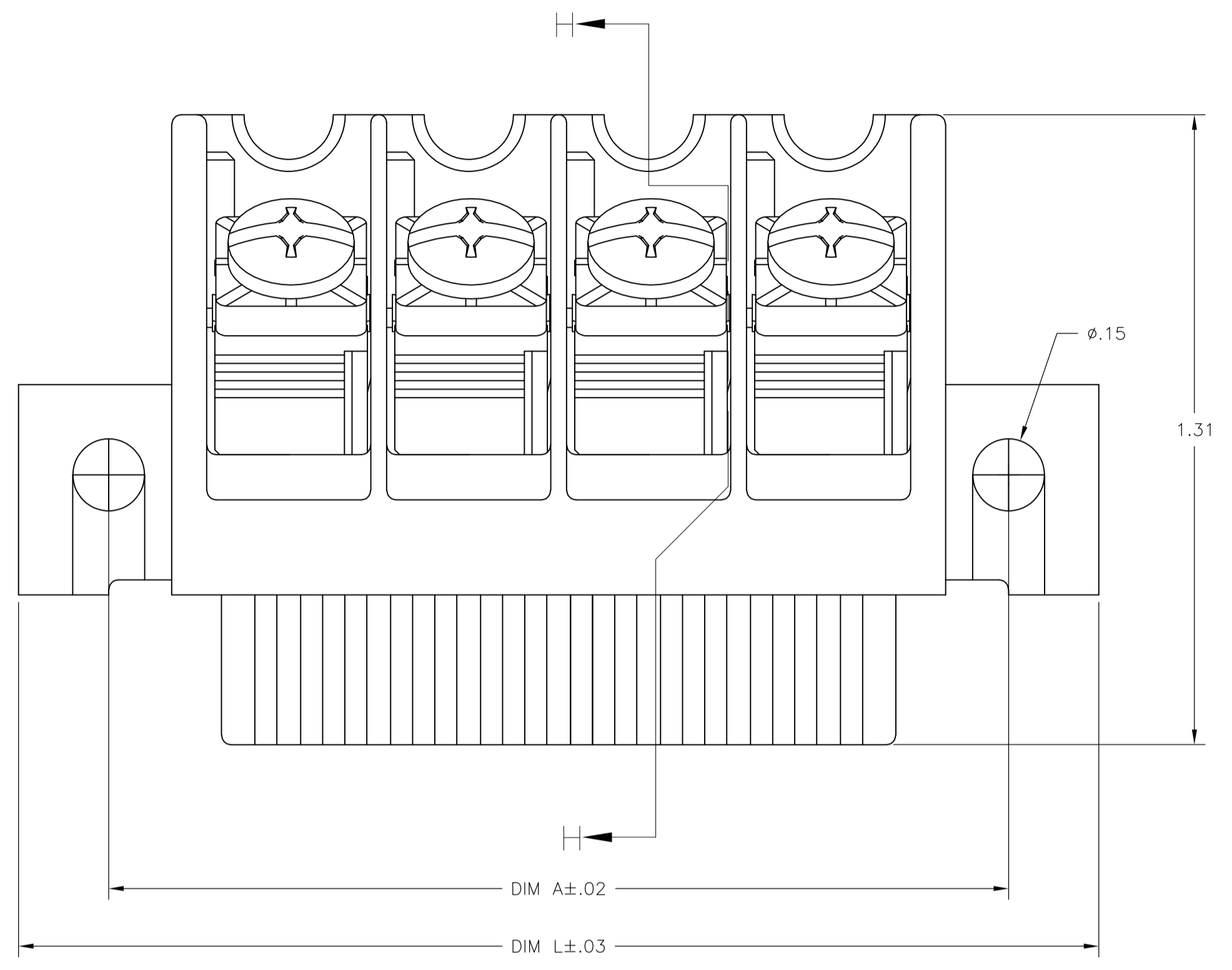


LOC		DIST		REVISIONS			
P	LTR	DATE	DESCRIPTION	DATE	BY	APPV	
B2		1/22/08	REVISED PER ECO-08-001729		SS	SRY	

WHITE LETTERING APPROX .14 HIGH.



REVISION	DATE	DESCRIPTION	BY	APPV
OBSOLETE	10.501	PSB4KC26A	7-1437406-3	
	9.751	PSB4KD24A	1546286-5	
	9.751	PSB4KC24S	7-1437406-2	
	9.751	PSB4KC24A	7-1437406-1	
	9.001	PSB4KC22S	1546286-4	
	9.001	PSB4KC22A	7-1437406-0	
	8.251	PSB4KC20S	6-1437406-9	
	8.251	PSB4KC20A	6-1437406-8	
	7.501	PSB4KC18S	6-1437406-7	
	7.501	PSB4KC18A	6-1437406-6	
	6.751	PSB4KD16A	1546286-6	
	6.751	PSB4KC16S	6-1437406-5	
	6.751	PSB4KC16A	6-1437406-4	
	6.001	PSB4KC14S	6-1437406-3	
	6.001	PSB4KC14A	6-1437406-2	
	5.251	PSB4KC12S	6-1437406-1	
	5.251	PSB4KC12A	6-1437406-0	
	4.501	PSB4KD10A	7-1437406-4	
SPL MARKING	4.501	PSB4KC10SNN25	5-1437406-9	
	4.501	PSB4KC10S	5-1437406-8	
	4.501	PSB4KC10A	1546286-1	
SPL MARKING	3.751	PSB4KC08SNN21	1546286-7	
	3.751	PSB4KC08S	5-1437406-7	
SPL MARKING	3.751	PSB4KC08ANN25	5-1437406-6	
	3.751	PSB4KC08A	5-1437406-5	
	3.001	PSB4KC06S	5-1437406-4	
	3.001	PSB4KC06A	5-1437406-3	

NOTES	DIM L	CATALOG NO.	PART NO.

THIS DRAWING IS A CONTROLLED DOCUMENT.
 DIMENSIONS: INCHES
 TOLERANCES UNLESS OTHERWISE SPECIFIED:
 0. PLC ± .01
 1. PLC ± .01
 2. PLC ± .01
 3. PLC ± .005
 4. PLC ± .01
 ANGLES ± 1°
 MATERIAL: - FINISH: -
 WEIGHT: -

DIN S SCHLEGEL 10/28/05
 CHK S YODER 10/28/05
 APVD S YODER 10/28/05
 Tyco Electronics Corporation
 Harrisburg, PA 17105-3608
 TERMINAL BLOCK 45 DEGREE
 PSB (.375 SPACING)
 A1 00779 C=5-1437406-5
 CUSTOMER DRAWING SCALE: 4:1 SHEET 1 OF 1 REV B2