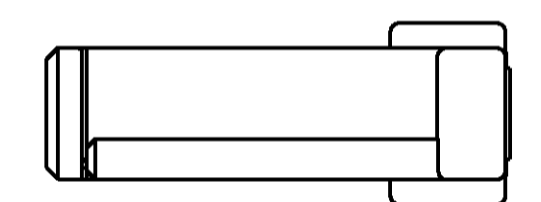
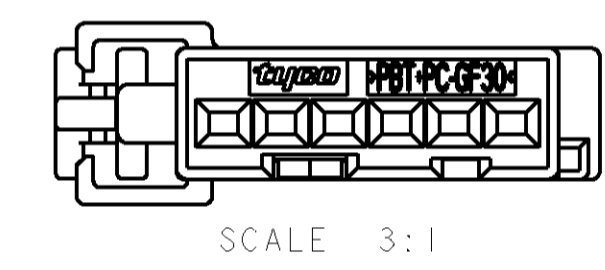
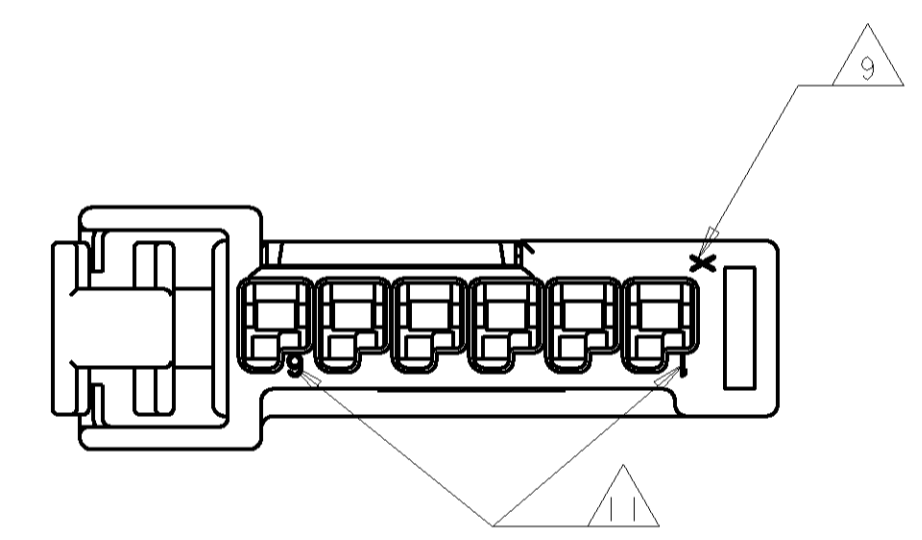
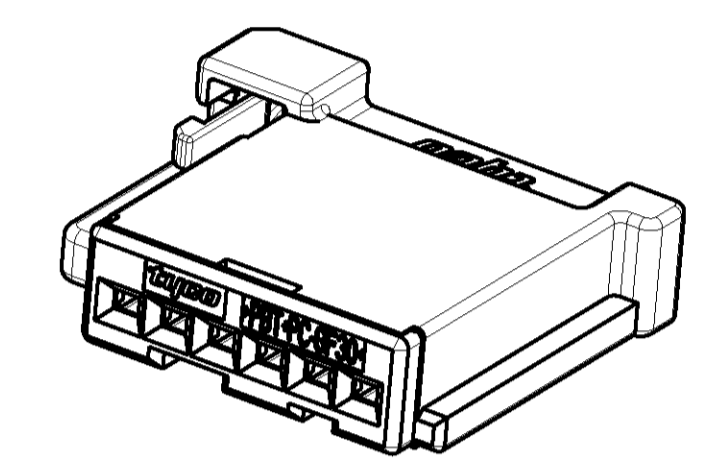
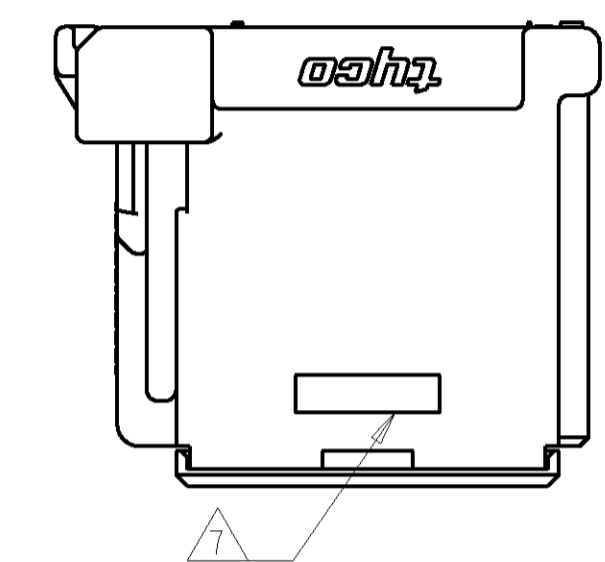
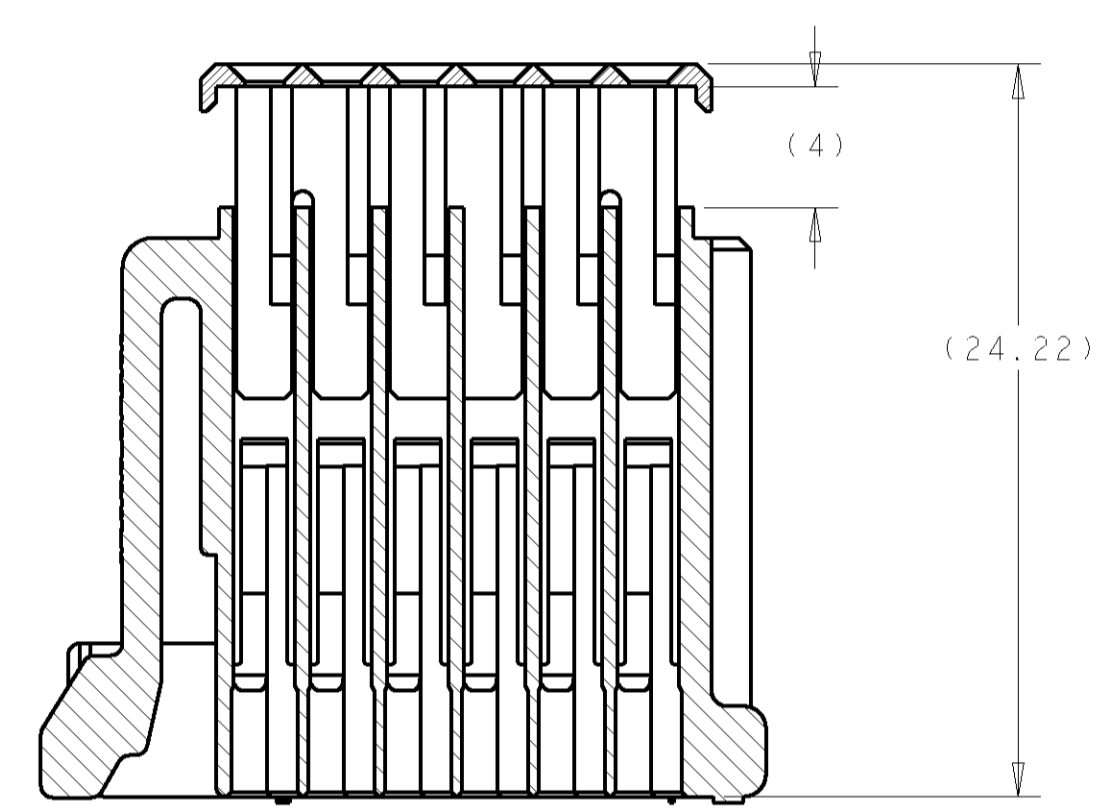
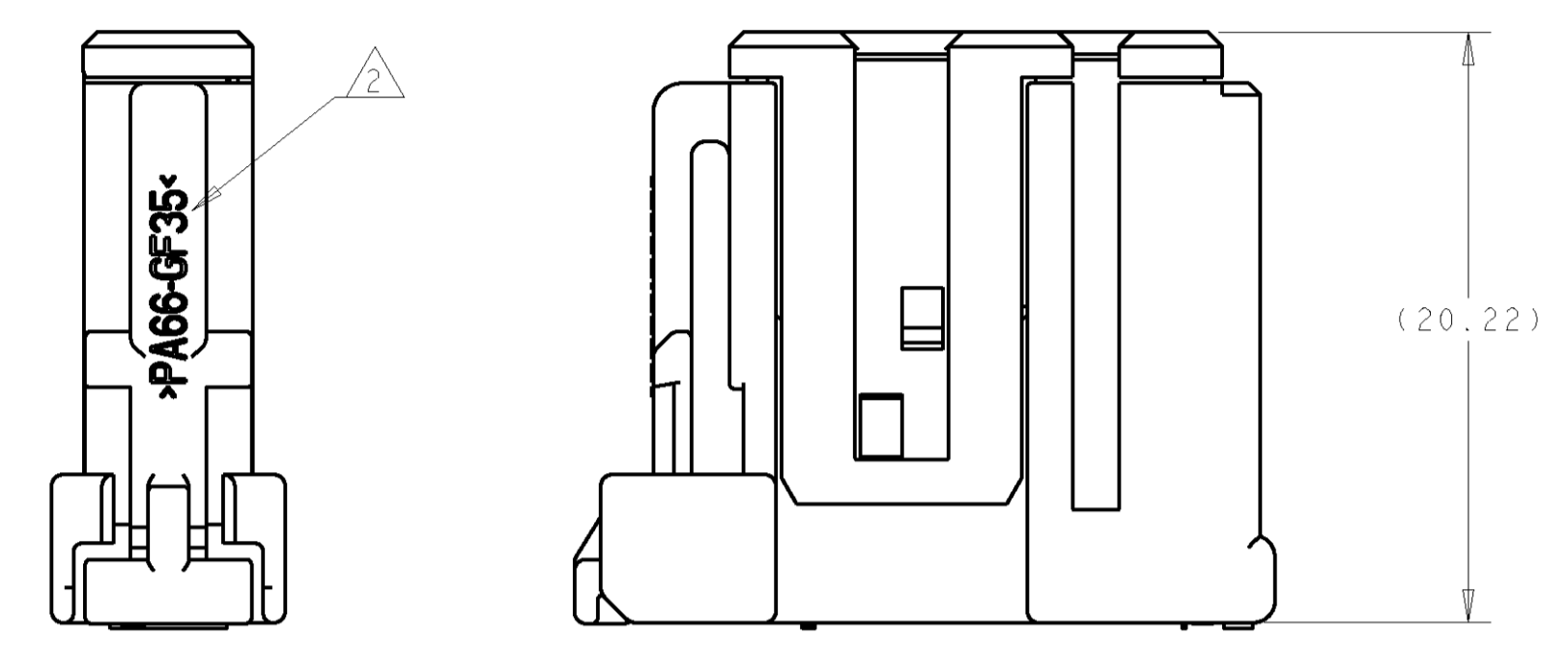
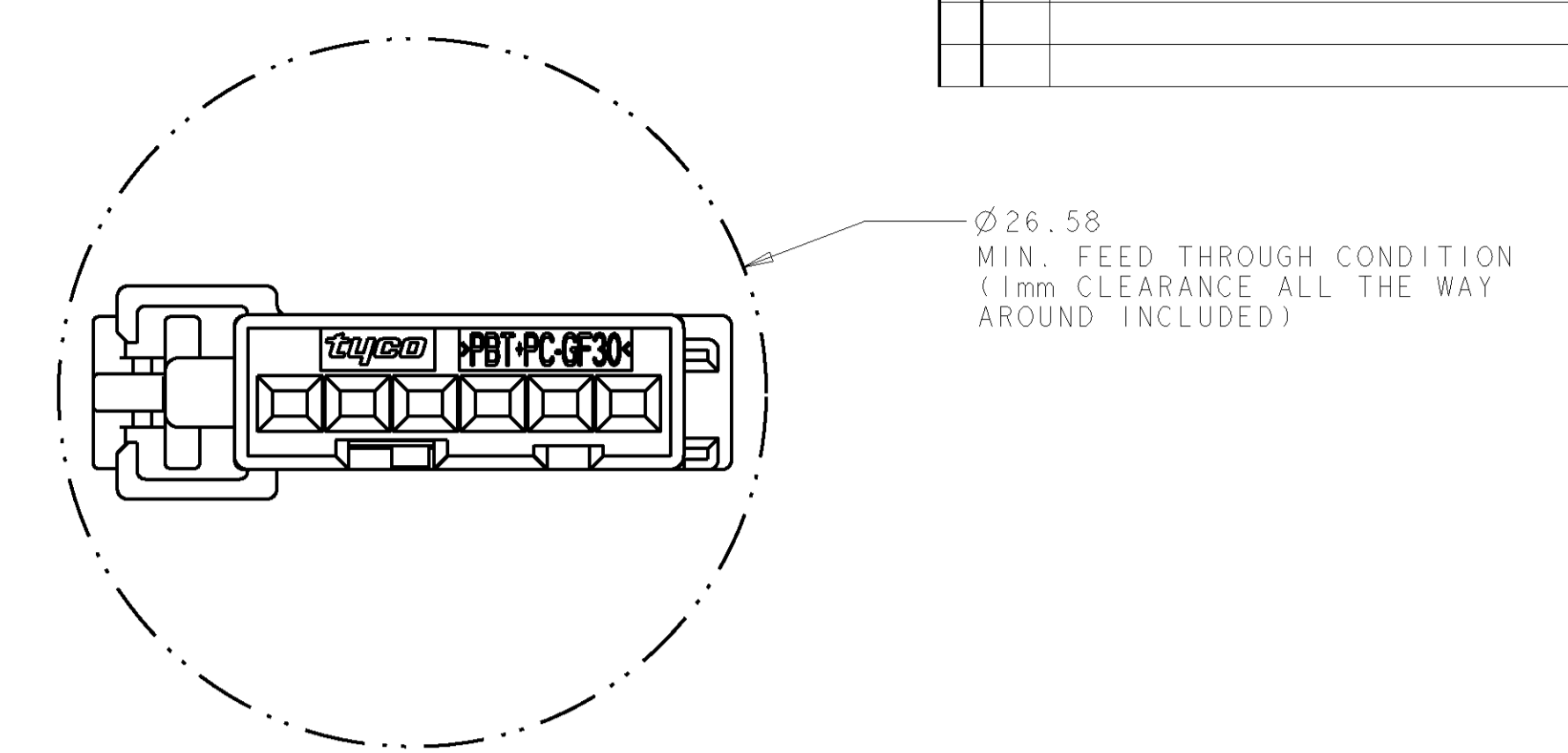
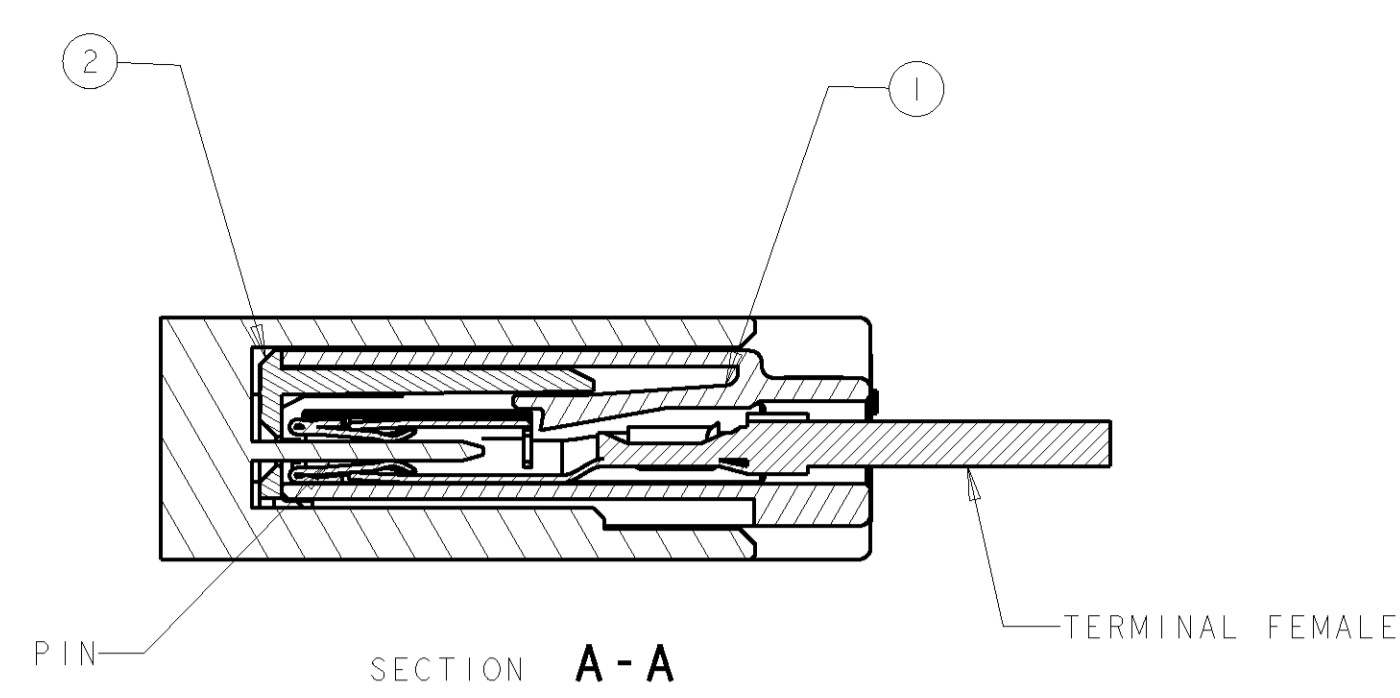
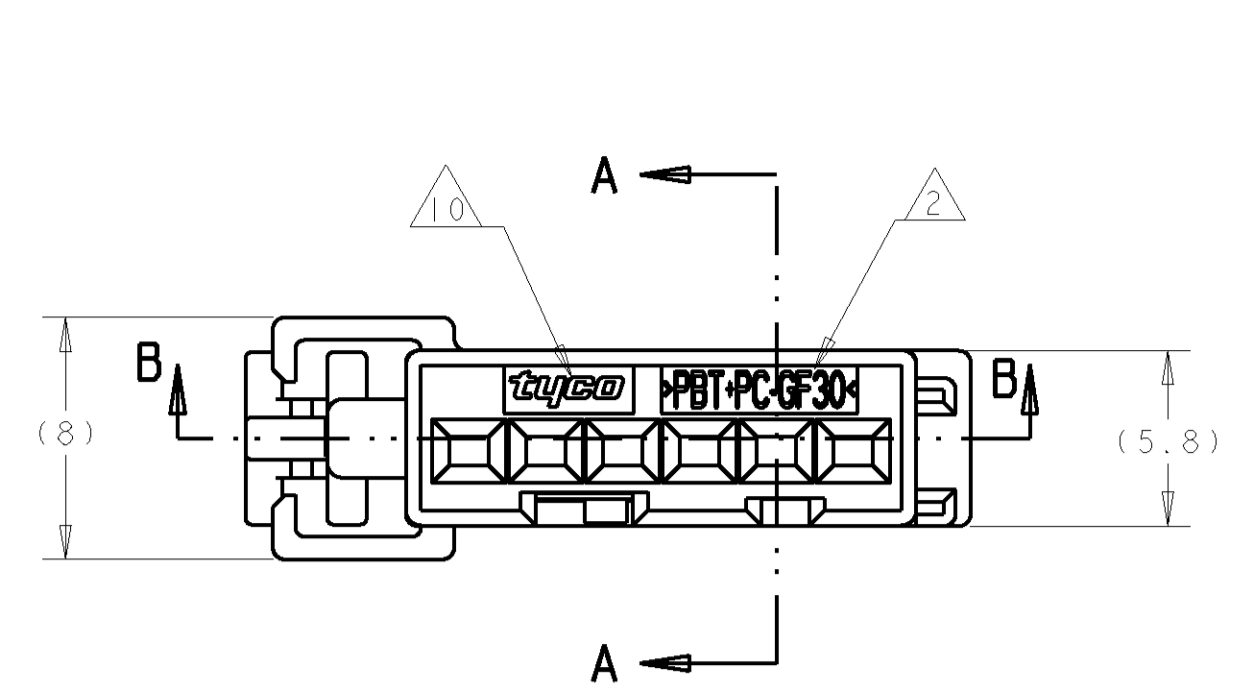


LOC	DIST	REVISIONS			
F	LTR	DESCRIPTION	DATE	DWN	APVD
FX	00	B2	REVISED PER ECR 07-015002	26JUN2007	DLD DCS



KEYING OPTIONS

1438156-1	1438156-2	1438156-3	1438156-4
KEYING OPTION "A"	KEYING OPTION "B"	KEYING OPTION "C"	KEYING OPTION "D"

- NOTE(S):
- MAXIMUM INSERTION FORCE FULLY POPULATED WITH TIN TERMINALS= 39(N)
GOLD TERMINALS= 27 (N)
 - MATERIAL IDENTIFICATION SYMBOLS.
 - 0.2 mm MAXIMUM RADIUS PERMISSIBLE ON EDGES AND FILLETS SHOWN AS SHARP FOR PLASTIC PARTS.
 - N/A
 - N/A
 - N/A
 - PRODUCTION DATE CODE (YY-DDD-HH)& ASSEMBLY PART NO. APPLIED IN APPROXIMATE LOCATION.
 - N/A
 - TOOL CAVITY #
 - COMPANY LOGO
 - TERMINAL CAVITY IDENTIFICATION NUMBER.
 - INTERFACE DRAWING IS AVAILABLE UPON REQUEST FROM ENGINEERING.

LIST OF PARTS			
ITEM	COLOR	DESCRIPTION	TYCO PART NUMBER
2	RED	SPACER	1438155-1
1	BLACK	HARNESS-KEY D	1438154-4
1		HARNESS-KEY C	1438154-3
1		HARNESS-KEY B	1438154-2
1		HARNESS-KEY A	1438154-1

APPLICABLE COMPONENTS					
DESCRIPTION	NOMINAL TERMINAL SIZE	COLOR	TYCO PART NUMBER	MATERIAL / SPECIFICATION NUMBER	APPLICABLE WIRE SIZES
TERMINAL FEMALE	0.64 (CAT. 0)	N/A	1393366-1	COPPER ALLOY/TIN PLATE	18-20AWG OR METRIC EQUIVALENT
TERMINAL FEMALE	0.64 (CAT. 0)	N/A	1393367-1	COPPER ALLOY/TIN PLATE	22-24AWG OR METRIC EQUIVALENT
TERMINAL FEMALE	0.64 (CAT. 0)	N/A	1393365-1	COPPER ALLOY/GOLD PLATE	18-20AWG OR METRIC EQUIVALENT
TERMINAL FEMALE	0.64 (CAT. 0)	N/A	1393364-1	COPPER ALLOY/GOLD PLATE	22-24AWG OR METRIC EQUIVALENT

DIMENSIONS: mm		TOLERANCES UNLESS OTHERWISE SPECIFIED:		DWN: HITCHCOCK 11JUL2002		Tyco Electronics Tyco Electronics Harrisburg, PA 17105-3608	
MATERIAL: -		FINISH: -		CHK: A. SHUMAN 11JUL2002		NAME: 1X6 UNSEALED, LOW PROFILE, HARNESS, PLUG ASSEMBLY	
APPLICABLE WIRE SIZES: 0 PLC ±, 2 PLC ±, 3 PLC ±, 4 PLC ±		REVISIONS: -		APVD: A. VALASEK 11JUL2002		SIZE: A 00779 1438156	
CUSTOMER DRAWING		SCALE: 4:1		SHEET: 1 OF 1		REV: B2	