

Self-Adhesive Nylon Wire Clips

Features

- Nylon 66, 94V-2 with Adhesive Tape
- Easy to Install. Simply Remove the Paper Backing from the Adhesive and Press onto Surface.
- Adheres to Most Surfaces such as Tables, Walls, Plastics, Wood, Glass, Metal, etc.



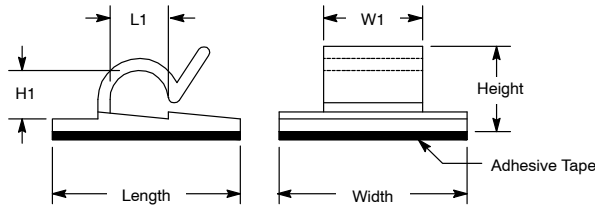
Nylon Wire Clips

NTE Type No.	Length	L1	Width	W1	Height	H1	Qty. per Bag	Diag No.
04-CLP001-x	.748 / 19.0	.232 / 5.9	.748 / 19.0	.394 / 10.0	.358 / 9.1	.193 / 4.9	50	WC-01
04-CLP002-x	.984 / 25.0	.441 / 11.2	.948 / 25.0	.496 / 12.6	.406 / 10.3	.276 / 7.0	50	WC-02
04-CLP003-x	1.055 / 26.8	.469 / 11.9	1.043 / 26.5	.484 / 12.3	.461 / 11.7	.327 / 8.3	50	WC-03
04-CLP004-x	1.008 / 25.6	.701 / 17.8	1.004 / 25.5	.662 / 15.8	.667 / 17.2	.524 / 13.3	50	WC-04
04-CLP005-x	1.327 / 33.7	.807 / 20.5	1.083 / 27.5	.929 / 23.6	.646 / 16.4	.504 / 12.8	50	WC-05
04-CLP006-x	1.310 / 33.3	.874 / 22.2	1.114 / 28.3	.736 / 18.7	.598 / 15.2	.437 / 11.1	50	WC-06

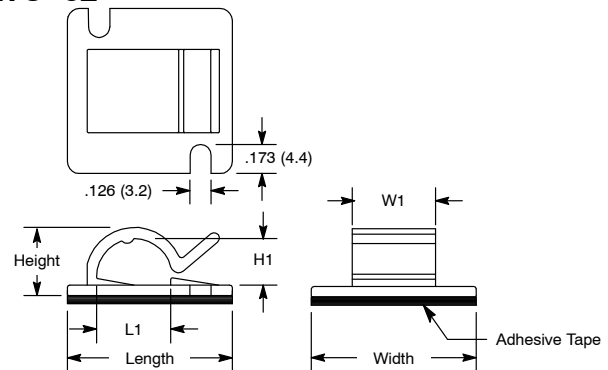
Note 1. Replace "x" in device number with corresponding color code from the "Color Code Chart".

Note 2. Dimensions are listed as "inch / millimeter".

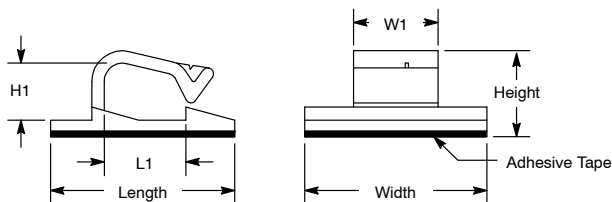
WC-01



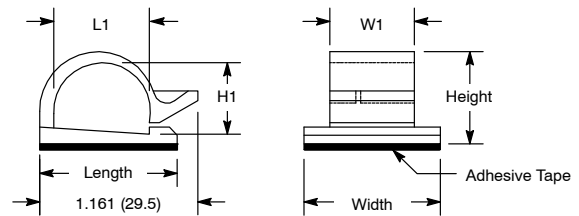
WC-02



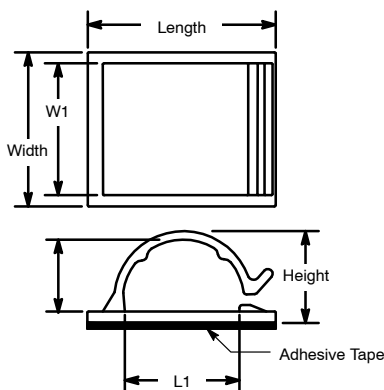
WC-03



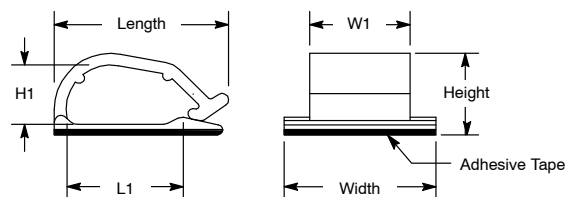
WC-04



WC-05



WC-06



Color Code Chart

0	Black	9	Natural
---	-------	---	---------