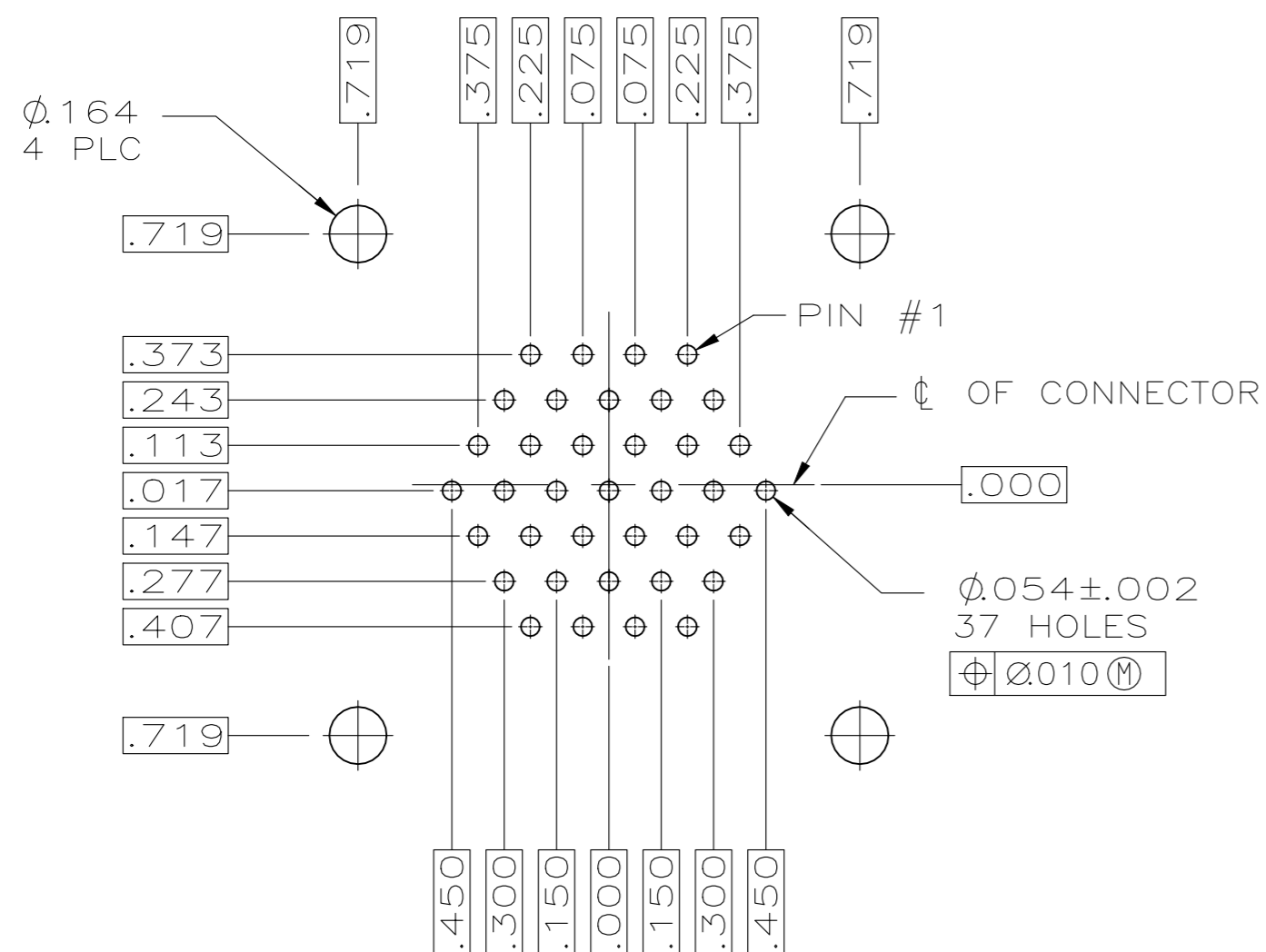
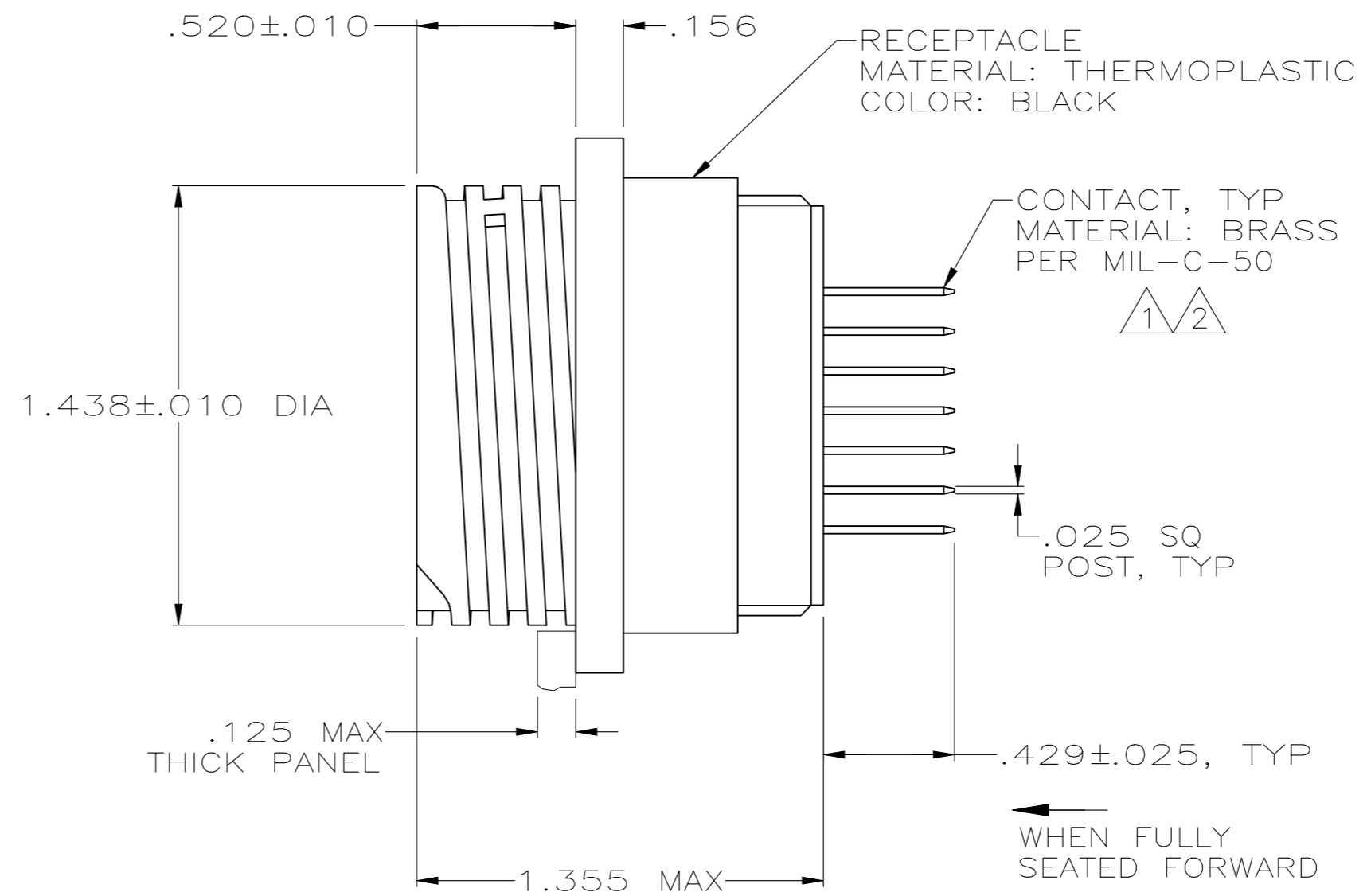
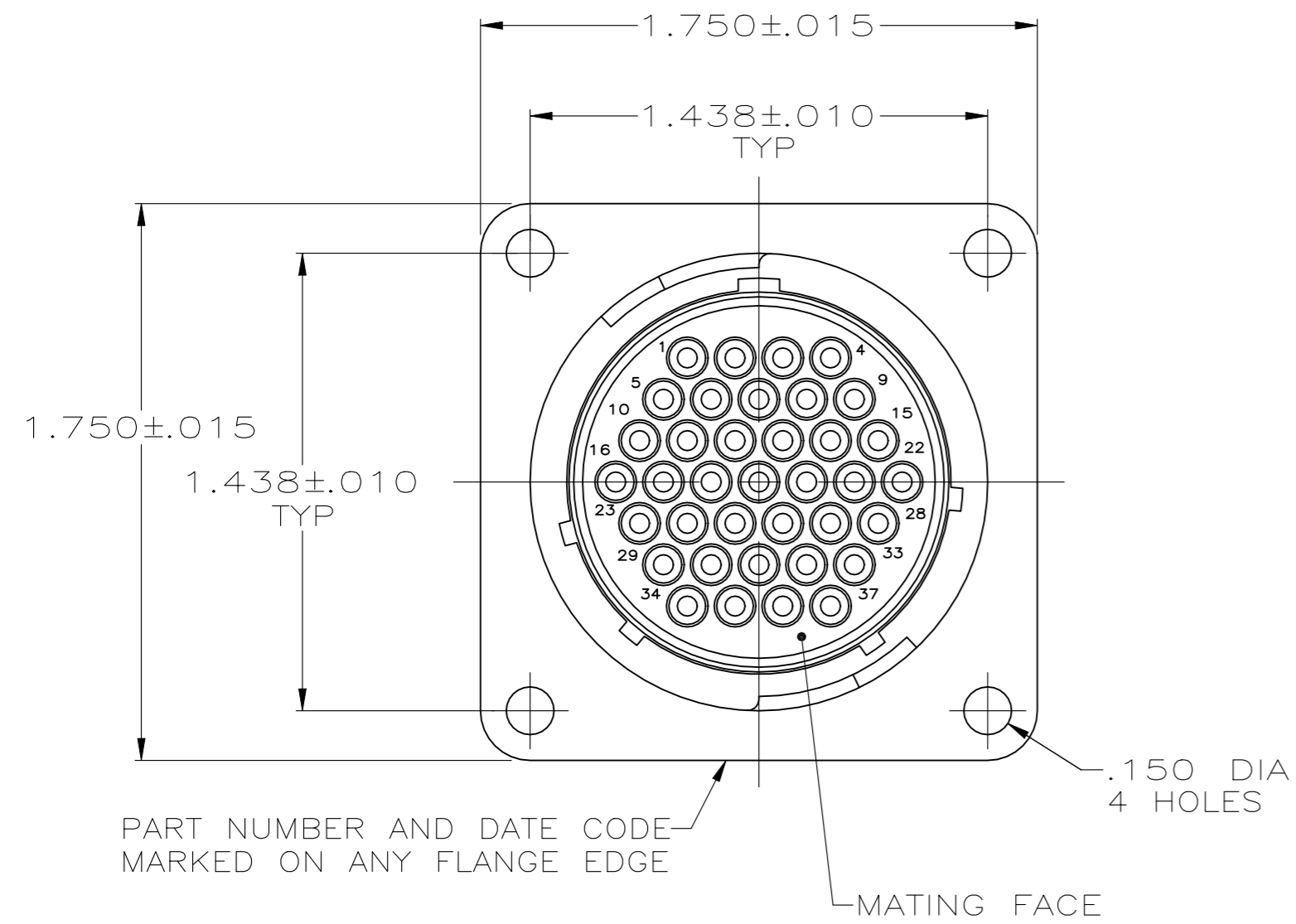


REVISIONS					
P	LTR	DESCRIPTION	DATE	DWN	APVD
D3		REVISED PER ECR-22-150475	26AUG2022	RK	MZ



- 1 CONTACTS, TYPE III+ PIN, PART NUMBER 66460-2.
- 2 CONTACTS, TYPE III+ PIN, PART NUMBER 6-66460-7.
- 3 CONTACTS TIN-LEAD PLATED PER MIL-T-10727.
- 4 CONTACTS TIN PLATED.

	4	208132-2
OBSOLETE	3	208132-1
	POST FINISH	PART NUMBER

THIS DRAWING IS A CONTROLLED DOCUMENT.		DWN 5-30-91 J GALLUCCI BG	TE Connectivity	
DIMENSIONS: INCHES		CHK 4-14-92 W.G.LENKER	RECEPTACLE ASSEMBLY, POSTED, STD SEX, SERIES 1, 23-37, CPC	
TOLERANCES UNLESS OTHERWISE SPECIFIED:		APVD -	NAME	
0 PLC ± -		PRODUCT SPEC 108-10024	SIZE CAGE CODE DRAWING NO RESTRICTED TO	
1 PLC ± -		APPLICATION SPEC	A2 00779 C=208132	
2 PLC ± -		WEIGHT -	SCALE 2:1 SHEET 1 OF 1 REV D3	
3 PLC ± .005		CUSTOMER DRAWING		
4 PLC ± -				
ANGLES ± -				
FINISH -				
MATERIAL SEE CALLOUT				

RECOMMENDED P.C. BOARD LAYOUT