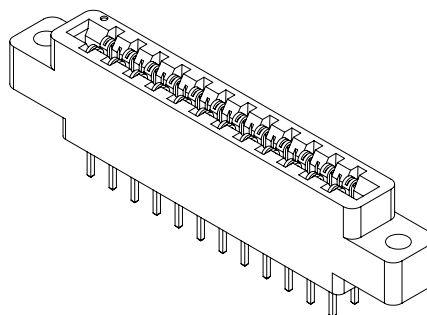




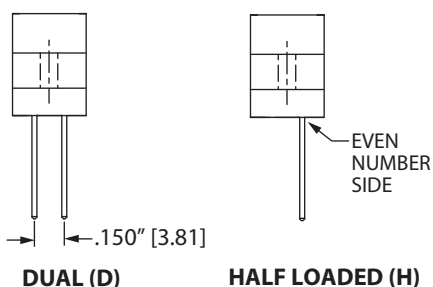
**.150" [3.81 mm] Contact Centers, .550" [13.97 mm] Insulator Height, Dip Solder/Wire Wrap**

### SPECIFICATIONS

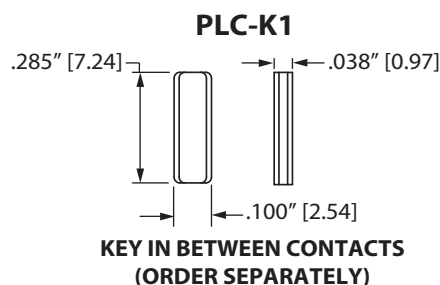
- Accommodates .062" ± .008" [1.57 mm ± 0.20 mm] PC board
- PBT, PPS or PA9T insulator
- Molded-in key available
- 3 Amps current rating for one contact energized
- 30 milli Ohms maximum at rated current
- UL Flammability Rating: 94V-0



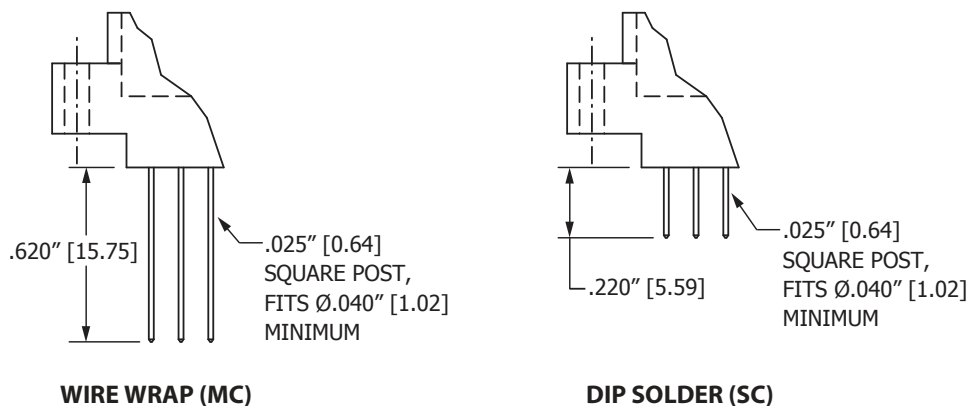
### READOUT



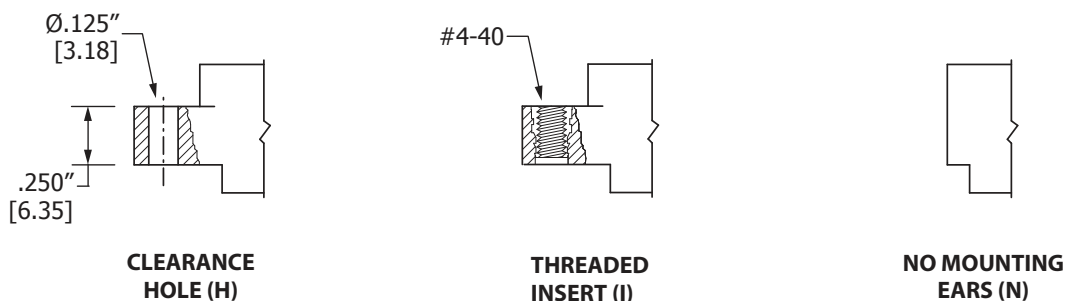
### POLARIZING KEY



### TERMINATION TYPE



### MOUNTING STYLE



Female Card Edge



**.150" [3.81 mm] Contact Centers, .550" [13.97 mm] Insulator Height, Dip Solder/Wire Wrap**

### PART NUMBER OPTIONS

**E B J 26 D MC H - Sxxx**

**MATERIALS (INSULATOR/CONTACT)**  
 E = PBT/Phosphor Bronze (Standard)  
 R = PPS/Phosphor Bronze  
 G = PA9T/Phosphor Bronze  
 (Consult factory for other materials.)  
 Refer to Page 7 for Operating/Processing Temperatures

**CONTACT FINISH - RoHS Compliant**  
 All platings are Lead Free and have .000050" Nickel underplate

Contact Surface	Termination
B = .000010" Gold	.000100" Pure Tin, Matte
C = .000030" Gold	.000100" Pure Tin, Matte

**CONTACT CENTERS**  
 J = .150" [3.81 mm]

**NUMBER OF CONTACT POSITIONS**  
 See Chart Below

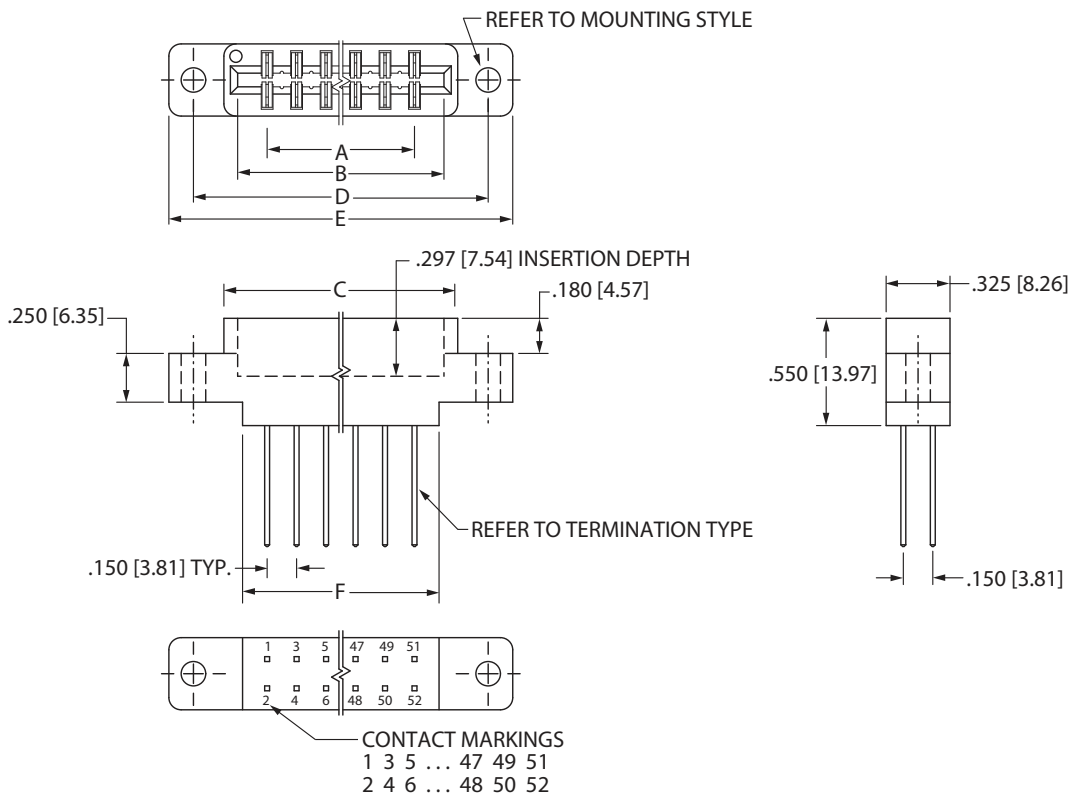
**MODIFICATION CODE (Consult Factory)**  
 OMIT FOR STANDARD

**MOUNTING STYLE (Opposite Page)**  
 H = Clearance Holes  
 I = Threaded Inserts  
 N = No Mounting

**TERMINATION TYPE (Opposite Page)**  
**Hairpin Bellows**  
 MC = .025" [0.64 mm] Square Wire Wrap  
 SC = .025" [0.64 mm] Square Dip Solder

**READOUT (Opposite Page)**  
 D = Dual  
 H = Half Loaded

### DIMENSIONS Dimensions in [ ] are in millimeters, all others are in inches.



Tolerances on non-critical dimensions may vary slightly due to shrinkage differential per insulator material; Consult factory.

POSITIONS/ CONTACTS	INCHES						MILLIMETERS					
	A±.008	B±.008	C±.015	D±.010	E±.020	F±.015	A±0.20	B±0.20	C±0.38	D±0.25	E±0.51	F±0.38
12/24	1.650	1.950	2.090	2.400	2.650	1.900	41.91	49.53	53.09	60.96	67.31	48.26
18/36*	2.550	2.850	2.990	3.300	3.550	2.800	64.77	72.39	75.95	83.82	90.17	71.12
22/44*	3.150	3.450	3.590	3.900	4.150	3.400	80.01	87.63	91.19	99.06	105.41	86.36
26/52	3.750	4.050	4.190	4.500	4.750	4.000	95.25	102.87	106.43	114.30	120.65	101.60
28/56*	4.050	4.350	4.490	4.800	5.050	4.300	102.87	110.49	114.05	121.92	128.27	109.22

\* Consult factory for availability.