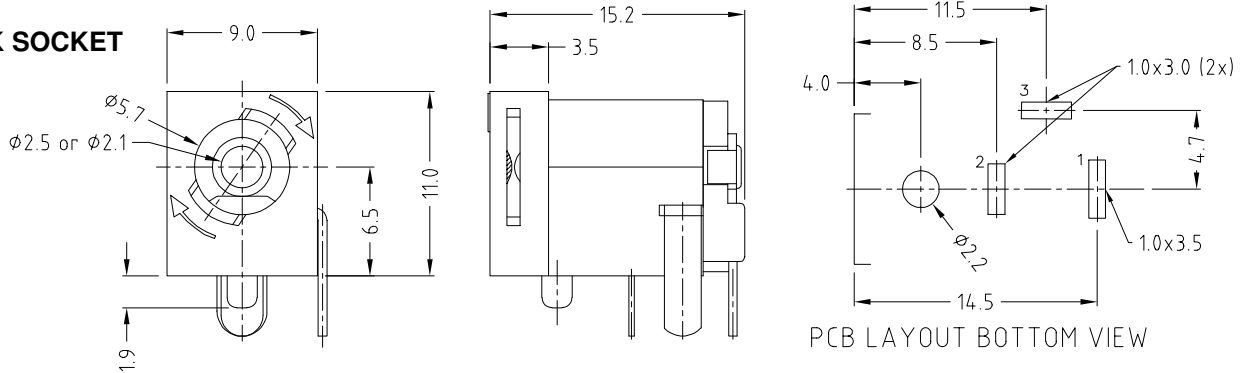


# CLIFF

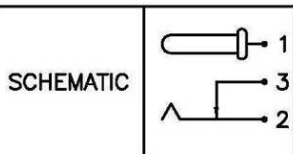
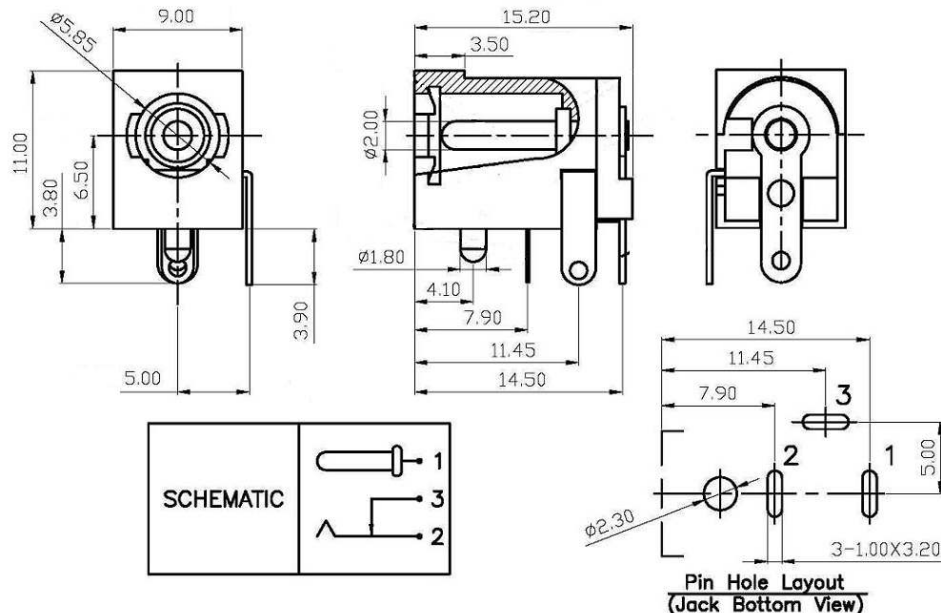
## LOCKING DC PLUG & SOCKET



### BLACK SOCKET



### WHITE SOCKET

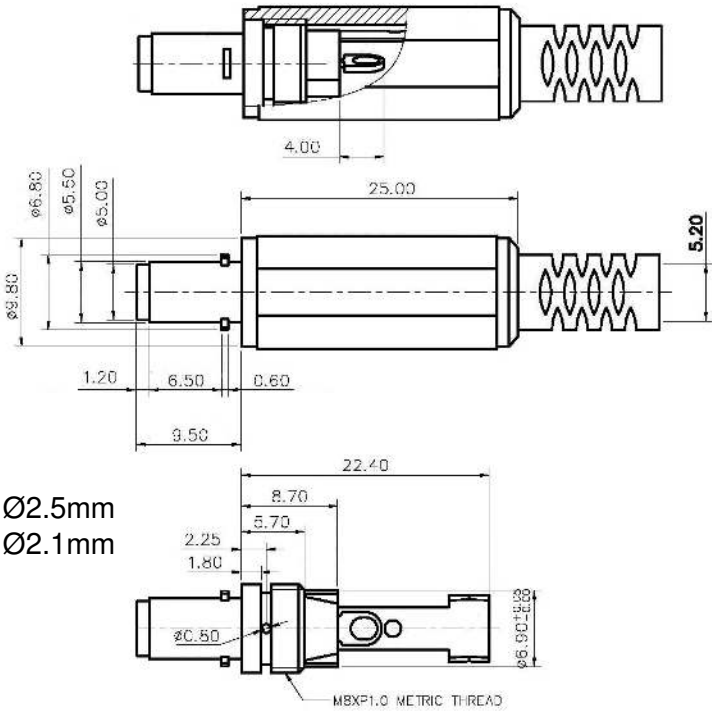


Part No.	Description
<b>FC681477</b>	Locking DC Socket Ø2.5mm
<b>FC681477W</b>	Locking DC Socket Ø2.5mm White
<b>FC681478</b>	Locking DC Socket Ø2.1mm
<b>FC681478W</b>	Locking DC Socket Ø2.1mm White

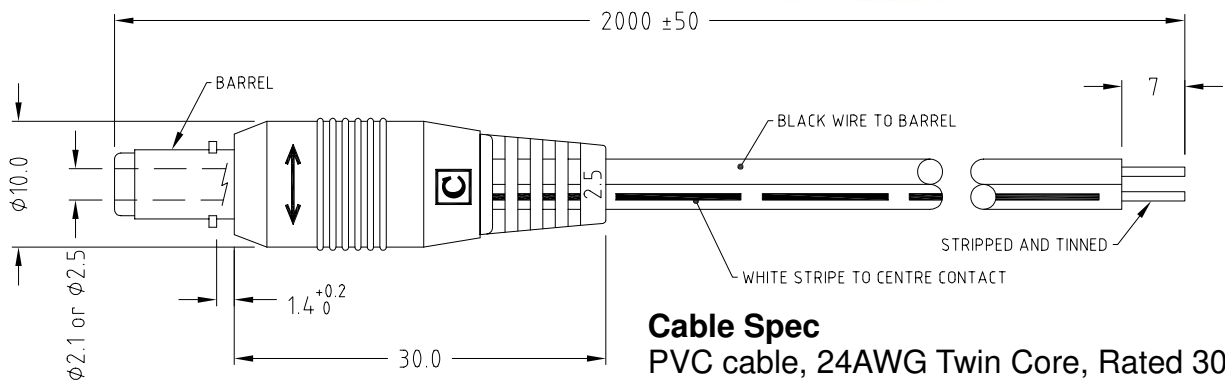
### Specification

Contact Resistance : 30mΩ max.  
 Current rating : Max 2.0A, 16V DC  
 Insulation Resistance : 100MΩ min at DC500V  
 Dielectric Withstand Voltage : AC 500V for 1 minute.

Note. Our standard DC plugs  
 (FC68147 - DCP1 and FC681471 - DCP2)  
 are compatible with these sockets.



Part No.	Description
<b>FC6814775</b>	Rewireable Locking DC Plug Ø2.5mm
<b>FC6814785</b>	Rewireable Locking DC Plug Ø2.1mm



**Cable Spec**  
PVC cable, 24AWG Twin Core, Rated 300V

Part No.	Description
<b>FC6814751</b>	Ø2.5mm LOCKING DC PLUG 2m CABLE BLACK
<b>FC6814751W</b>	Ø2.5mm LOCKING DC PLUG 2m CABLE WHITE
<b>FC6814761</b>	Ø2.1mm LOCKING DC PLUG 2m CABLE BLACK
<b>FC6814761W</b>	Ø2.1mm LOCKING DC PLUG 2m CABLE WHITE